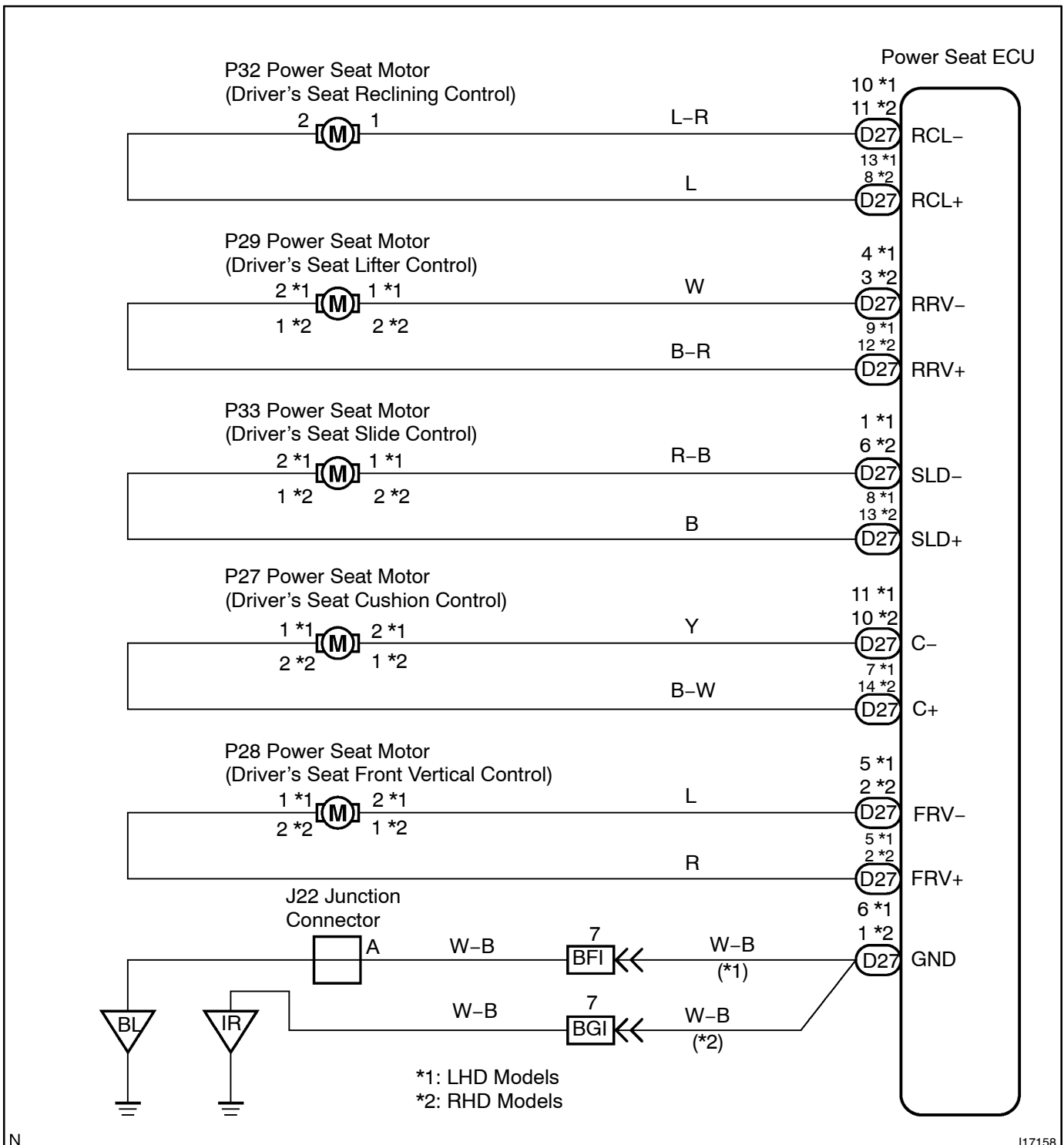


Power Seat Motor

CIRCUIT DESCRIPTION

The Power Seat ECU receives the signal of the power seat control switch to operate each power seat motor according to the switch position.

WIRING DIAGRAM



INSPECTION PROCEDURE

HINT:

In case of not using the LEXUS hand-held tester, start from STEP 2.

1 Perform active test.**PREPARATION:**

Connect the LEXUS hand-held tester to the DLC3.

CHECK:

Check that "Power seat motor" operates as the LEXUS hand-held tester directs.

OK:

The motor operates normally.

OK

Proceed to next circuit inspection shown on problem symptom table (See page DI-722).

NG

2 Check power seat motor (See page BE-131).

NG

Replace the motor.

OK

3 Check harness and connector between power seat ECU and motor (See page IN-35).

OK

Repair or replace harness or connector.

NG

Proceed to next circuit inspection shown on problem symptom table (See page DI-722).