

DTC	B1165/87	Short in Curtain Shield Squib (LH) Circuit
------------	-----------------	---

CIRCUIT DESCRIPTION

The curtain shield squib (LH) circuit consists of the airbag sensor assembly and curtain shield airbag assembly (LH).

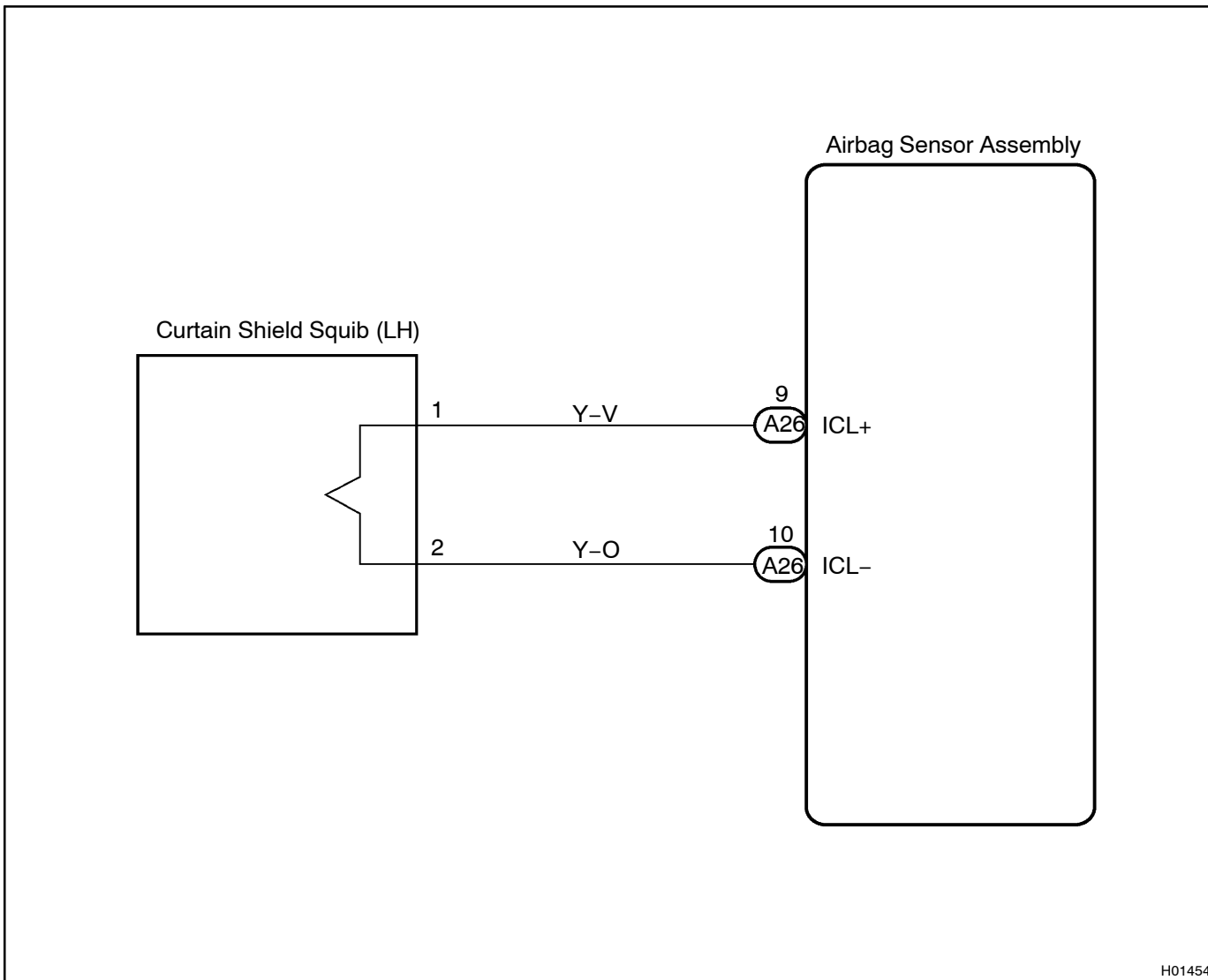
It causes the SRS to deploy when the SRS deployment conditions are satisfied.

For details of the function of each component, see OPERATION on page RS-3.

DTC B1165/87 is recorded when a short is detected in the curtain shield squib (LH) circuit.

DTC No.	DTC Detecting Condition	Trouble Area
B1165/87	<ul style="list-style-type: none"> • Short circuit between ICL+ wire harness and ICL- wire harness of squib • Curtain shield squib (LH) malfunction • Airbag sensor assembly malfunction 	<ul style="list-style-type: none"> • Curtain shield airbag assembly (LH) • Airbag sensor assembly • Wire harness

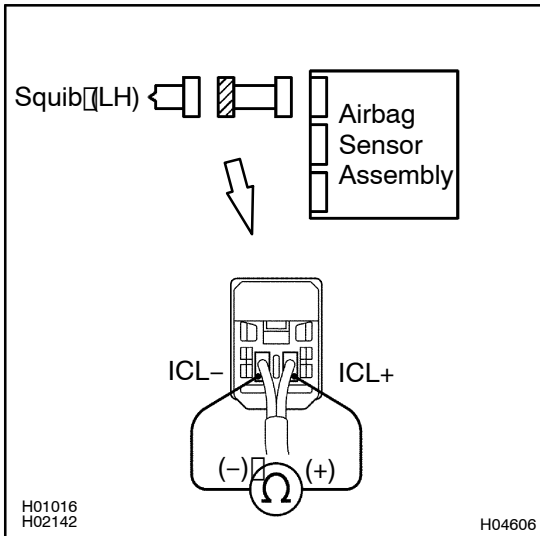
WIRING DIAGRAM



INSPECTION PROCEDURE

1 Prepare for inspection (See step 1 on page DI-703).

2 Check curtain shield squib (LH) circuit.

**PREPARATION:**

Release the airbag activation prevention mechanism of the connector (on the airbag sensor assembly side) between the airbag sensor assembly and the curtain shield airbag assembly (LH) (See page DI-484).

CHECK:

For the connector (on the curtain shield airbag assembly side) between the curtain shield airbag assembly (LH) and the airbag sensor assembly, measure the resistance between ICL+ and ICL-.

OK:

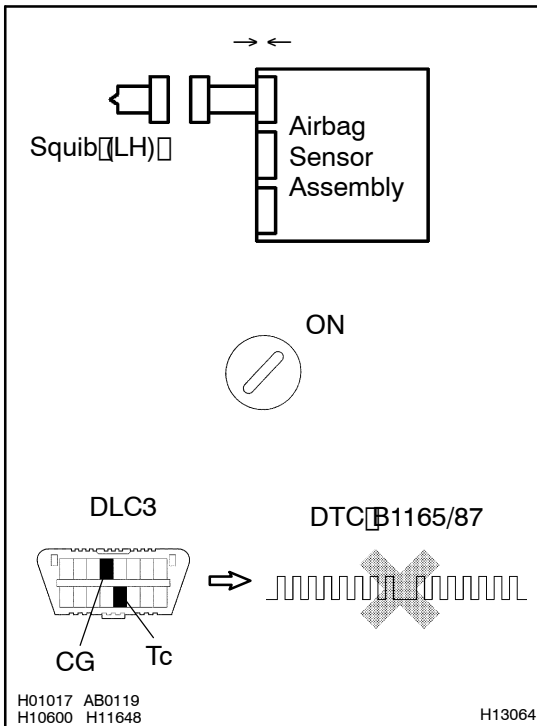
Resistance: 1 MΩ or Higher

NG

Repair or replace harness or connector between curtain shield airbag assembly (LH) and airbag sensor assembly.

OK

3 Check airbag sensor assembly.



PREPARATION:

- Connect the connector to the airbag sensor assembly.
- Connect negative (-) terminal cable to the battery, and wait at least for 2 seconds.

CHECK:

- Turn the ignition switch to ON and wait at least for 20 seconds.
- Clear the DTC stored in memory (See page DI-484).
- Turn the ignition switch to LOCK, and wait at least for 20 seconds.
- Turn the ignition switch or ON, and wait at least for 20 seconds.
- Check the DTC (See page DI-484).

OK:

DTC B1165/87 is not output.

HINT:

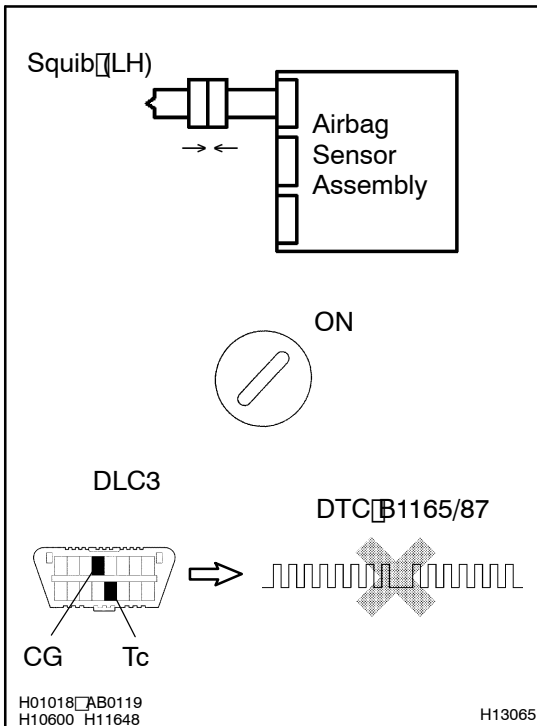
Codes other than code B1165/87 may be output at this time, but they are not relevant to this check.

NG

Replace airbag sensor assembly.

OK

4 Check curtain shield squib (LH).



PREPARATION:

- Turn the ignition switch to LOCK.
- Disconnect negative (-) terminal cable from the battery, and wait at least for 90 seconds.
- Connect the curtain shield airbag assembly (LH) connector.
- Connect negative (-) terminal cable to the battery, and wait at least for 2 seconds.

CHECK:

- Turn the ignition switch to LOCK, and wait at least for 20 second.
- Turn the ignition switch to ON, and wait at least for 20 seconds.
- Clear the DTC stored in memory (See page DI-484).
- Turn the ignition switch to LOCK, and wait at least for 20 seconds.
- Turn the ignition switch to ON, and wait at least for 20 seconds.
- Check the DTC (See page DI-484).

OK:

DTC B1165/87 is not output.

HINT:

Codes other than code B1165/87 may be output at this time, but they are not relevant to this check.

NG

Replace curtain shield airbag assembly (LH).

OK

From the results of the above inspection, the malfunctioning part can now be considered normal. To make sure of this, use the simulation method to check.