

DTC	B1148/36	Front Airbag Sensor (RH) Malfunction
------------	-----------------	---

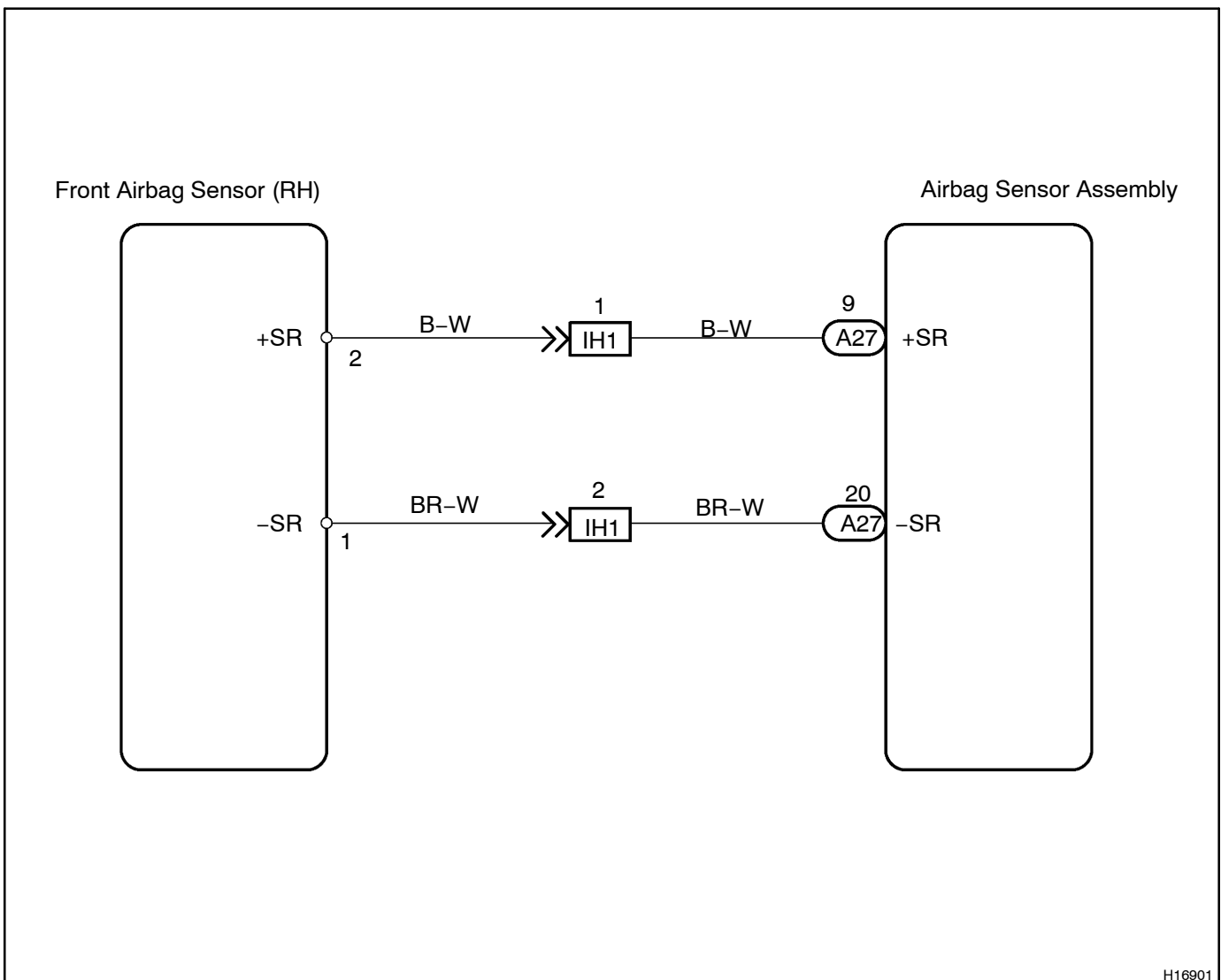
CIRCUIT DESCRIPTION

The front airbag sensor (RH) circuit consists of the diagnosis circuit and frontal deceleration sensor, etc. If receives signals from the frontal deceleration sensor, judges whether or not the SRS must be activated, and detects diagnosis system malfunction.

DTC B1148/36 is recorded when occurrence of a malfunction in the front airbag sensor (RH) is detected.

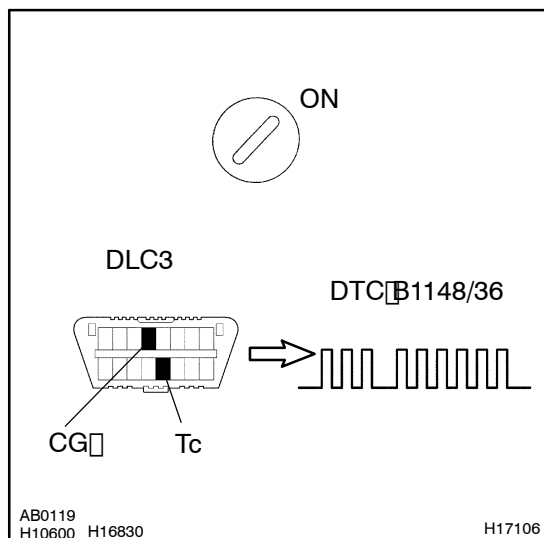
DTC No.	DTC Detecting Condition	Trouble Area
B1148/36	• Front airbag sensor (RH) malfunction	<ul style="list-style-type: none"> • Front airbag sensor (RH) • Airbag sensor assembly • Wire harness • Engine room main wire harness

WIRING DIAGRAM



INSPECTION PROCEDURE

1 Is DTC B1148/36 output?

**CHECK:**

- Turn the ignition switch to ON, and wait at least for 20 seconds.
- Clear the DTC stored in memory (See page DI-484).
- Turn the ignition switch to LOCK, and wait at least for 20 seconds.
- Turn the ignition switch to ON, and wait at least for 20 seconds.
- Check the DTC (See page DI-484).

HINT:

Codes other than code B1148/36 may be output at this time, but they are not relevant to this check.

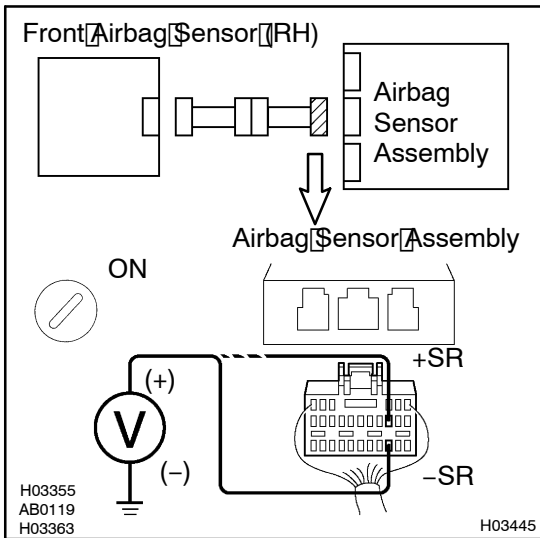
YES

The malfunctioning part can now be considered normal. To make sure of this, use the simulation method to check.

NO

2 Is connector of front airbag sensor (RH) properly connected?

3 Prepare for inspection (See step 1 on DI-703).

4 Check wire harness (to B+).**PREPARATION:**

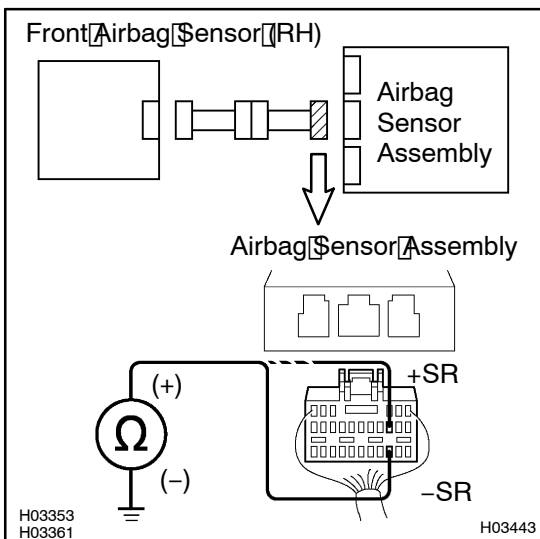
Deactivate the LEXUS Link system (See page DI-484).

CHECK:

- Turn the ignition switch to ON.
- For the connector (on the airbag sensor assembly side) between the front airbag sensor (RH) and the airbag sensor assembly, measure the voltage between body ground and each of +SR and -SR.

OK:

Voltage: Below 1 V

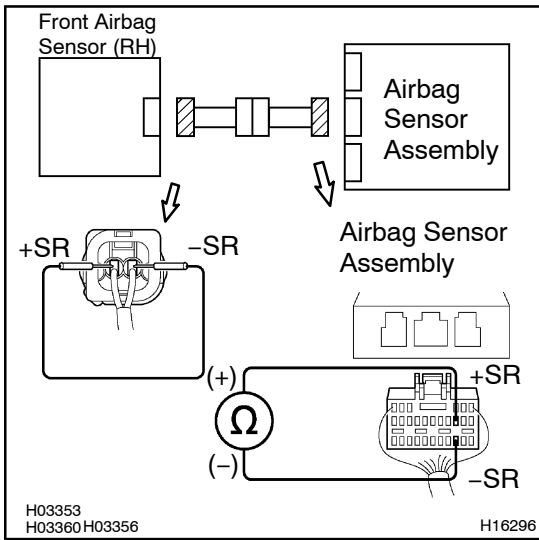
NG**Go to step 8.****OK****5 Check wire harness (to ground).****CHECK:**

For the connector (on the airbag sensor assembly side) between the front airbag sensor (RH) and the airbag sensor assembly, measure the resistance between body ground and each of +SR and -SR.

OK:

Resistance: 1 MΩ or Higher

NG**Go to step 9.****OK**

6 Check wire harness.**PREPARATION:**

Using a service wire, connect +SR and -SR of the connector (on the front airbag sensor (RH) side) between the airbag sensor assembly and the front airbag sensor (RH).

CHECK:

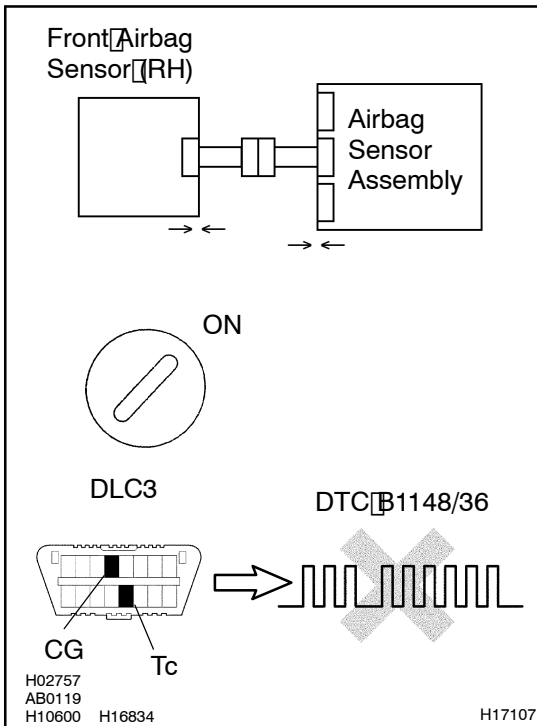
For the connector (on the airbag sensor assembly side) between the front airbag sensor (RH) and the airbag sensor assembly, measure the resistance between +SR and -SR.

OK:

Resistance: Below 1 Ω

NG**Go to step 10.****OK**

7 Check airbag sensor assembly.



PREPARATION:

- Turn the ignition switch to LOCK.
- Disconnect the negative (-) terminal cable from the battery, and wait at least for 90 seconds.
- Connect the front airbag sensor (RH) connector and airbag sensor assembly connector.
- Connect the negative (-) terminal cable to the battery, and wait at least for 2 seconds.

CHECK:

- Turn the ignition switch to ON, and wait at least for 20 seconds.
- Clear the DTC stored in memory (See page DI-484).
- Turn the ignition switch to LOCK, and wait at least for 20 seconds.
- Turn the ignition switch to ON, and wait at least for 20 seconds.
- Check the DTC (See page DI-484).

OK:

DTC B1148/36 is not output.

HINT:

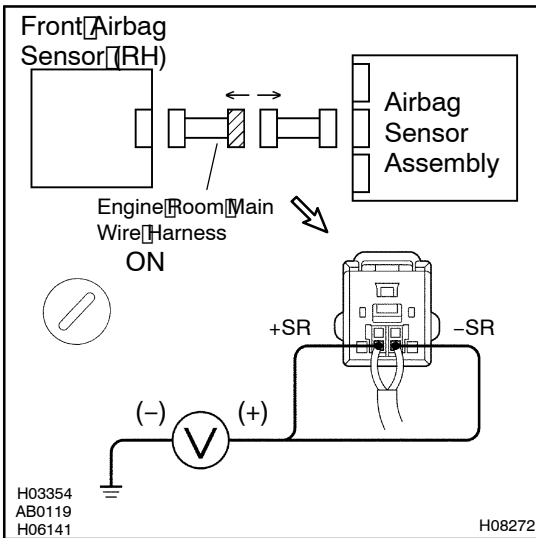
Codes other than code B1148/36 may be output at this time, but they are not relevant to this check.

NG

Replace airbag sensor assembly.

OK

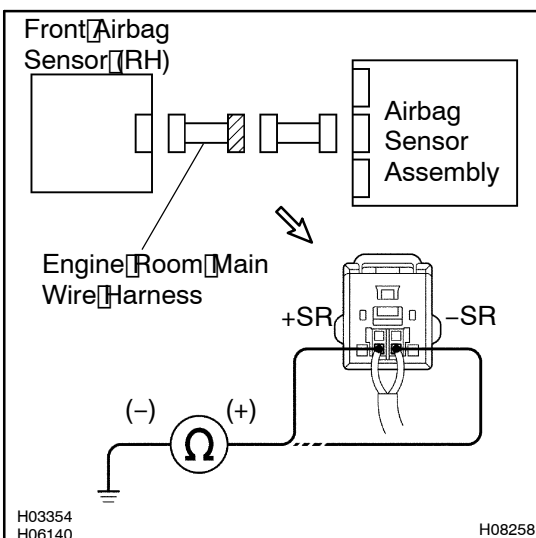
From the results of the above inspection, the malfunctioning part can now be considered normal. To make sure of this, use the simulation method to check.

8 Check engine room main wire harness (to B+).**PREPARATION:**

- Disconnect the engine room main wire harness connector on the airbag sensor assembly side.
- Deactivate the LEXUS Link system (See page DI-484).

CHECK:

- Turn the ignition switch to ON.
- For the connector (on the RH front door wire harness side) between the airbag sensor assembly and the engine room main wire harness, measure the voltage between body ground and each of +SR and -SR.

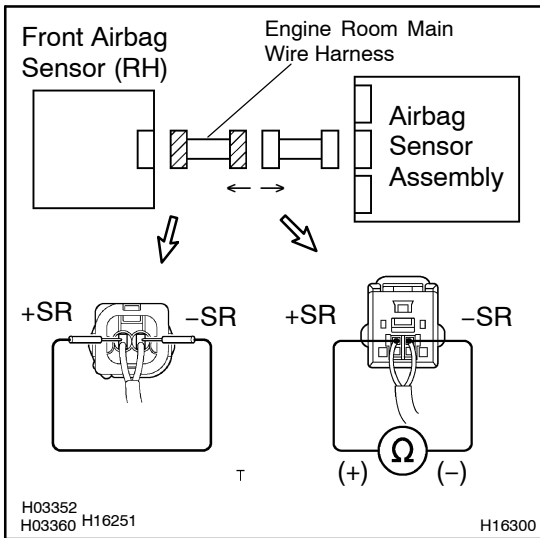
OK:**Voltage: Below 1 V****NG****Repair or replace engine room main wire harness.****OK****Repair or replace harness or connector between airbag sensor assembly and engine room main wire harness.****9 Check engine room main wire harness (to ground).****PREPARATION:**

Disconnect the engine room main wire harness connector on the airbag sensor assembly side.

CHECK:

For the connector (on the engine room main wire harness side) between the airbag sensor assembly and the engine room main wire harness, measure the resistance between body ground and each of +SR and -SR.

OK:**Resistance: 1 MΩ or Higher****NG****Repair or replace engine room main wire harness.****OK****Repair or replace harness or connector between airbag sensor assembly and engine room main wire harness.**

10 Check engine room main wire harness.**PREPARATION:**

- Disconnect the engine room main wire harness connector on the airbag sensor assembly side.
- Using a service wire, connect +SR and -SR of the connector (on the engine room main wire harness side) between the engine room main wire harness and the front airbag sensor (RH).

CHECK:

For the connector (on the engine room main wire harness side) between the airbag sensor assembly and the engine room main wire harness, measure the resistance between +SR and -SR.

OK:

Resistance: Below 1 Ω

NG

Repair or replace engine room main wire harness.

OK

Repair or replace harness or connector between airbag sensor assembly and engine room main wire harness.