

<b>DTC</b>	<b>B1141/33</b>	<b>Side and Curtain Shield Airbag Sensor Assembly (LH) Malfunction</b>
------------	-----------------	------------------------------------------------------------------------

### CIRCUIT DESCRIPTION

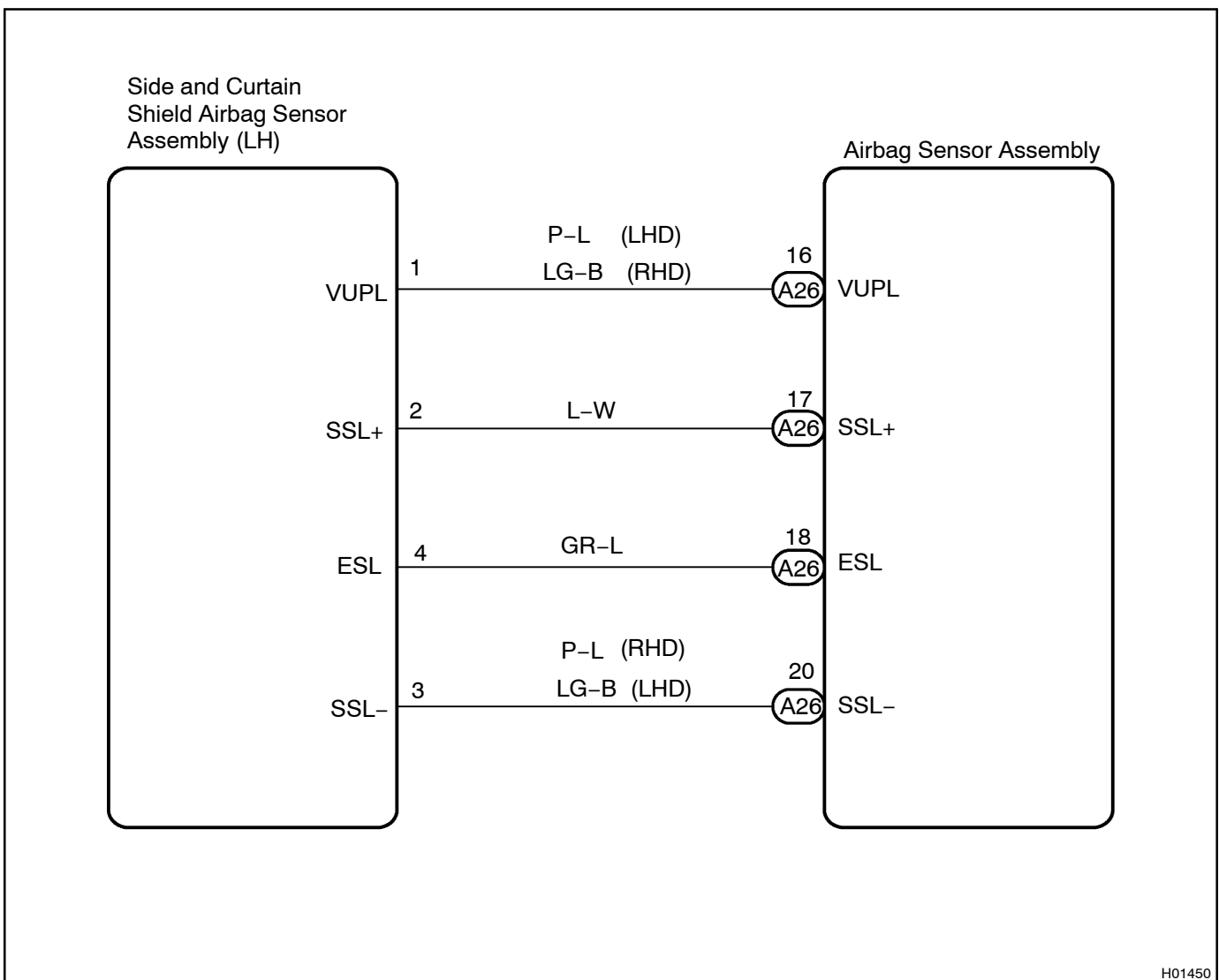
The side and curtain shield airbag sensor assembly (LH) consists of the safing sensor, diagnosis circuit and lateral deceleration sensor, etc.

It receives signals from the lateral deceleration sensor, judges whether or not the SRS must be activated, and detects diagnosis system malfunction.

DTC B1141/33 is recorded when occurrence of a malfunction in the side and curtain shield airbag sensor assembly (LH) is detected.

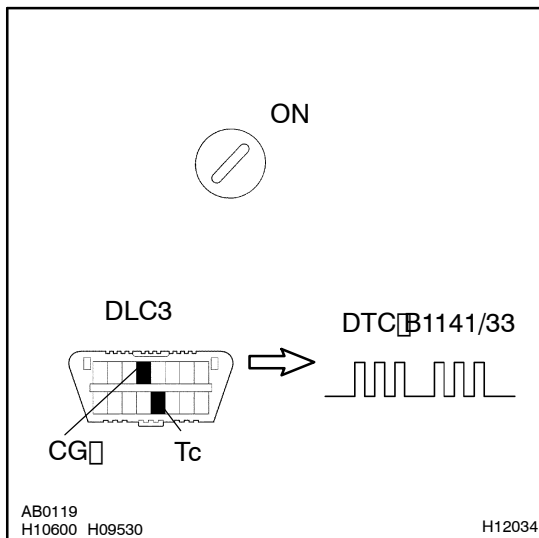
DTC No.	DTC Detecting Condition	Trouble Area
B1141/33	•Side and curtain shield airbag sensor assembly (LH) malfunction	<ul style="list-style-type: none"> <li>•Side and curtain shield airbag sensor assembly (LH)</li> <li>•Wire harness</li> <li>•Airbag sensor assembly</li> </ul>

### WIRING DIAGRAM



## INSPECTION PROCEDURE

1 Is DTC B1141/33 output?

**CHECK:**

- Turn the ignition switch to ON, and wait at least for 20 seconds.
- Clear the DTC stored in memory (See step 5 on page DI-484).
- Turn the ignition switch to LOCK, and wait at least for 20 seconds.
- Turn the ignition switch to ON, and wait at least for 20 seconds.
- Check the DTC (See page DI-484).

**HINT:**

Codes other than code B1141/33 may be output at this time, but they are not relevant to this check.

YES

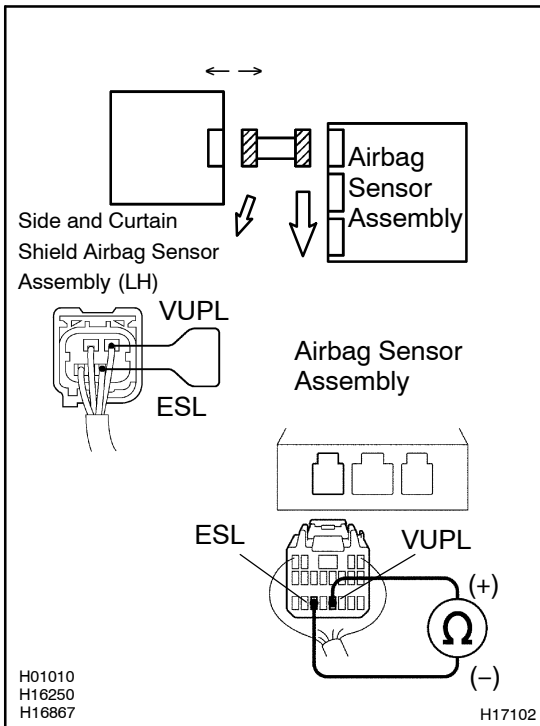
The malfunctioning part can now be considered normal. To make sure of this, use the simulation method to check.

NO

2 Is connector of side and curtain shield airbag sensor assembly (LH) properly connected?

3 Prepare for inspection (See step 1 on page DI-703).

## 4 Check wire harness.



### PREPARATION:

- Disconnect the side and curtain shield airbag sensor assembly (LH).
- Using a service wire, connect VUPL and ESL of the connector (on the side and curtain shield airbag sensor assembly side) between the side and curtain shield airbag sensor assembly (LH) and the airbag sensor assembly.

### CHECK:

For the connector (on the airbag sensor assembly side) between the side and curtain shield airbag sensor assembly (LH) and the airbag sensor assembly, measure the resistance between VUPL and ESL.

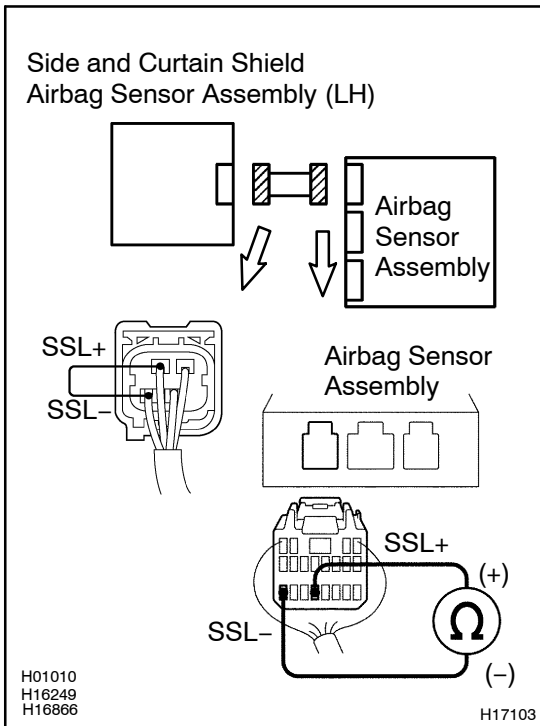
### OK:

**Resistance: Below 1  $\Omega$**

**NG**

**Repair or replace harness or connector between side and curtain shield airbag sensor assembly (LH) and airbag sensor assembly.**

**OK**

**5 Check wire harness.****PREPARATION:**

Using a service wire, connect SSL+ and SSL- of the connector (on the side and curtain shield airbag sensor assembly side) between the side and curtain shield airbag sensor assembly (LH) and the airbag sensor assembly.

**CHECK:**

For the connector (on the airbag sensor assembly side) between the side and curtain shield airbag sensor assembly (LH) and the airbag sensor assembly, measure the resistance between SSL+ and SSL-.

**OK:**

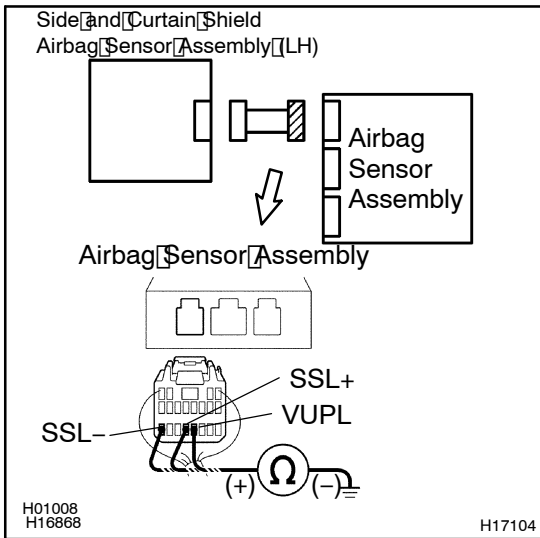
**Resistance: Below 1  $\Omega$**

**NG**

**Repair or replace harness or connector between side and curtain shield airbag sensor assembly (LH) and airbag sensor assembly.**

**OK**

## 6 Check wire harness (to ground).



### CHECK:

For the connector (on the airbag sensor assembly side) between the side and curtain shield airbag sensor assembly (LH) and the airbag sensor assembly, measure the resistance between body ground and each of SSL+, VUPL and SSL-.

### OK:

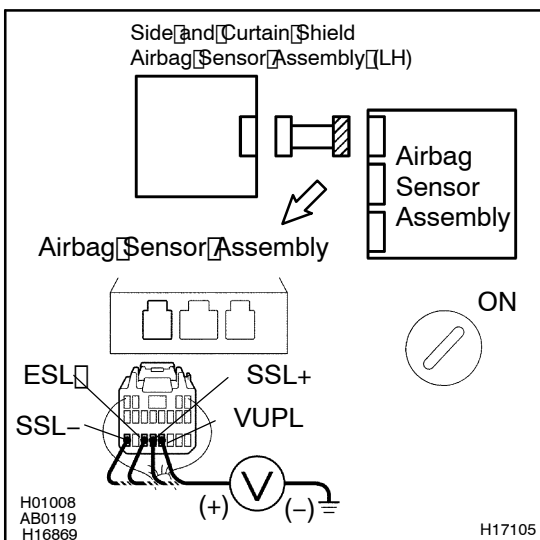
**Resistance: 1 MΩ or Higher**

NG

Repair or replace harness or connector between side and curtain shield airbag sensor assembly (LH) and airbag sensor assembly.

OK

## 7 Check wire harness (to B+).



### PREPARATION:

Deactivate the LEXUS Link system (See page DI-484).

### CHECK:

- Turn the ignition switch to ON.
- For the connector (on the airbag sensor assembly side) between the side and curtain shield airbag sensor assembly (LH) and the airbag sensor assembly, measure the voltage between body ground and each of ESL, VUPL, SSL- and SSL+.

### OK:

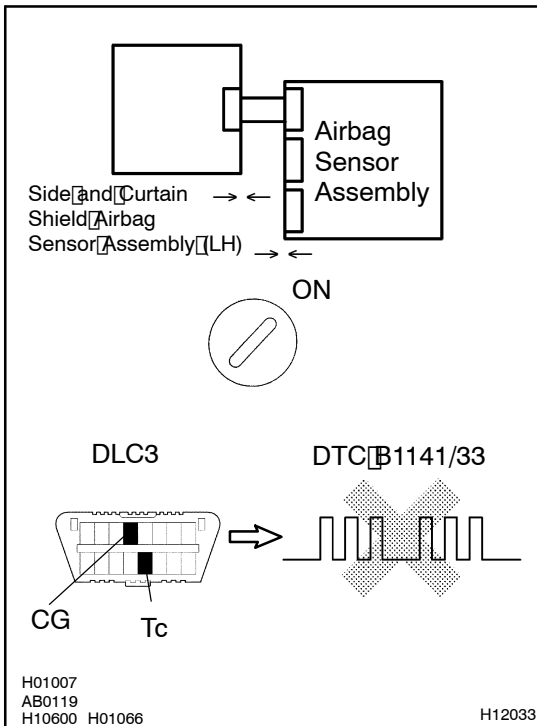
**Voltage: Below 1 V**

NG

Repair or replace harness or connector between side and curtain shield airbag sensor assembly (LH) and airbag sensor assembly.

OK

## 8 Is DTC B1141/33 output again?

**PREPARATION:**

- Connect the connector to the side and curtain shield airbag sensor assembly (LH).
- Connect the connector to the airbag sensor assembly.
- Connect negative (-) terminal cable to the battery, and wait at least for 2 seconds.

**CHECK:**

- Turn the ignition switch to ON, and wait at least for 20 seconds.
- Clear the DTC stored in memory (See step 5 on page DI-484).
- Turn the ignition switch to LOCK, and wait at least for 20 seconds.
- Turn the ignition switch to ON, and wait at least for 20 seconds.
- Check the DTC (See page DI-484).

**OK:**

**DTC B1141/33 is not output.**

**HINT:**

Codes other than code B1141/33 may be output at this time, but they are not relevant to this check.

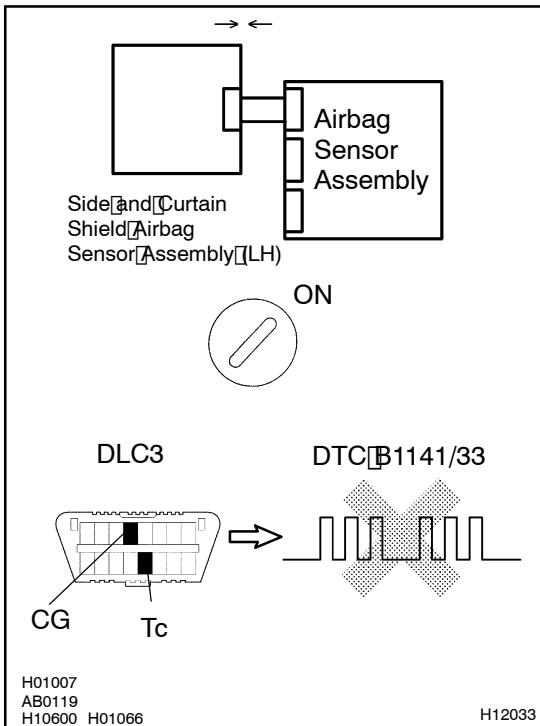
**NO**

**Go to step 9.**

**YES**

**From the results of the above inspection, the malfunctioning part can now be considered normal. To make sure of this, use the simulation method to check.**

## 9 Check airbag sensor assembly.



### PREPARATION:

- Turn the ignition switch to LOCK.
- Disconnect the negative (-) terminal cable from the battery, and wait at least for 90 seconds.
- Disconnect the side and curtain shield airbag sensor (LH) from the connector and connect the side and curtain shield airbag sensor (RH) to the connector.
- Connect the negative (-) terminal cable to the battery, and wait at least for 2 seconds.

### CHECK:

- Turn the ignition switch to ON, and wait at least for 20 seconds.
- Clear the DTC stored in memory (See step 5 on page DI-484).
- Turn the ignition switch to LOCK, and wait at least for 20 seconds.
- Turn the ignition switch to ON, and wait at least for 20 seconds.
- Check the DTC (See page DI-484).

### OK:

**DTC B1141/33 is not output.**

### HINT:

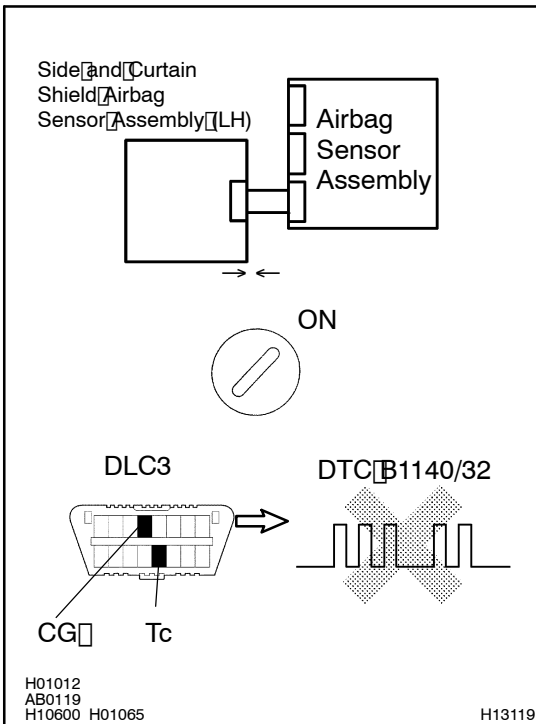
Codes other than code B1141/33 may be output at this time, but they are not relevant to this check.

**NG**

**Replace airbag sensor assembly.**

**OK**

## 10 Check side and curtain shield airbag sensor assembly (LH).



### PREPARATION:

- Turn the ignition switch to LOCK.
- Disconnect the negative (-) terminal cable from the battery, and wait at least for 90 seconds.
- Connect the side and curtain shield airbag sensor (LH) to the connector that the side and curtain shield airbag sensor (RH) was connected to.
- Connect the negative (-) terminal cable to the battery, and wait at least for 2 seconds.

### CHECK:

- Turn the ignition switch to ON, and wait at least for 20 seconds.
- Clear the DTC stored in memory (See step 5 on page DI-484).
- Turn the ignition switch to LOCK, and wait at least for 20 seconds.
- Turn the ignition switch to ON, and wait at least for 20 seconds.
- Check the DTC (See page DI-484).

### OK:

**DTC B1140/32 is not output.**

### HINT:

Codes other than code B1140/32 may be output at this time, but they are not relevant to this check.

**NG**

**Replace side and curtain shield airbag sensor assembly (LH).**

**OK**

**From the results of the above inspection, the malfunctioning part can now be considered normal. To make sure of this, use the simulation method to check.**