

DTC	B0121/B0122/26	Seat Belt Buckle Switch (RH) Malfunction
------------	-----------------------	-------------------------------------------------

CIRCUIT DESCRIPTION

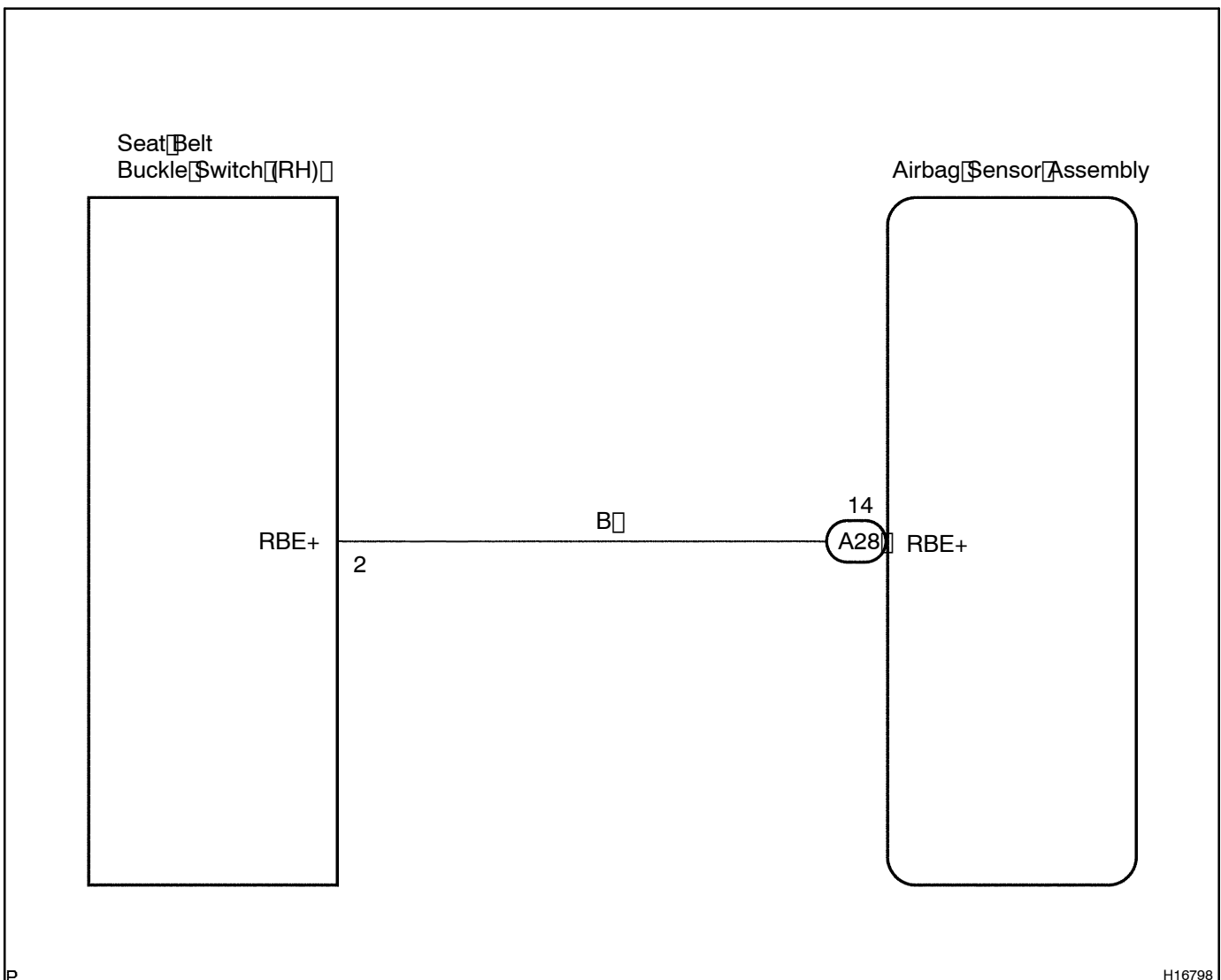
The seat belt buckle switch (RH) circuit consists of the airbag sensor assembly and seat belt buckle switch (RH).

For details of the function of each component, see OPERATION on page RS-3.

DTC B0121/B0122/26 is recorded when a malfunction is detected in the seat belt buckle switch (RH) circuit.

DTC No.	DTC Detecting Condition	Trouble Area
B0121/B0122/26	• Seat belt buckle switch (RH) circuit	<ul style="list-style-type: none"> • Seat belt buckle switch (RH) • Airbag sensor assembly • Wire harness

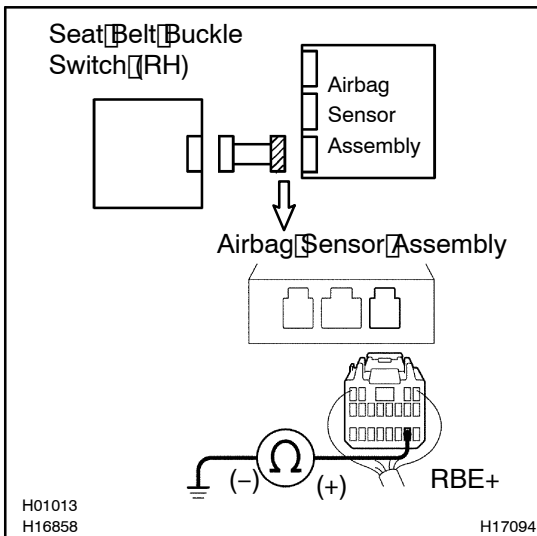
WIRING DIAGRAM



INSPECTION PROCEDURE

1 Prepare for inspection (See step 1 on page DI-703).

2 Check wire harness (to ground).

**CHECK:**

For the connector (on the airbag sensor assembly side) between the seat belt buckle switch (RH) and the airbag sensor assembly, measure the resistance between RBE+ and body ground.

OK:

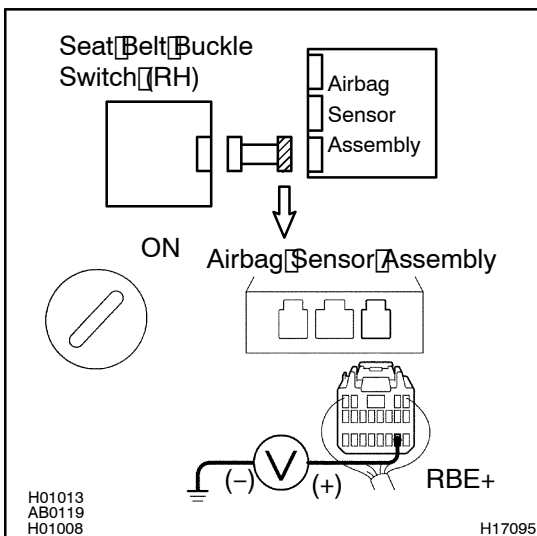
Resistance: 1 MΩ or Higher

NG

Repair or replace wire harness.

OK

3 Check wire harness (to B+).

**PREPARATION:**

Deactivate the LEXUS Ink system (See page DI-484).

CHECK:

- Turn the ignition switch to ON.
- For the connector (on the airbag sensor assembly side) between the seat belt, buckle switch (RH) and the airbag sensor assembly, measure the voltage between RBE+ and body ground.

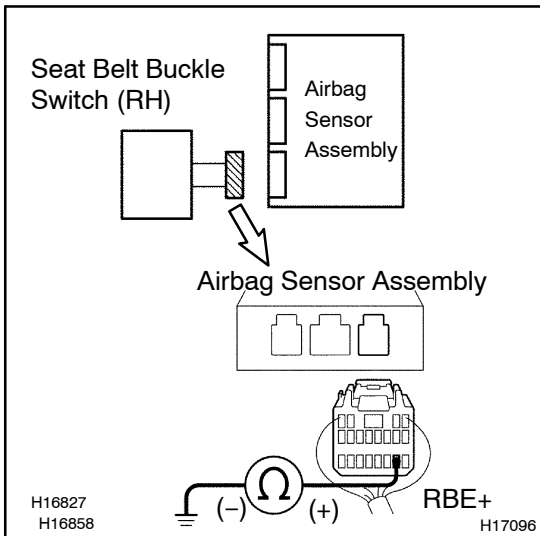
OK:

Resistance: Below 1 V

NG

Repair or replace wire harness.

OK

4 Check seat belt buckle switch (RH).**PREPARATION:**

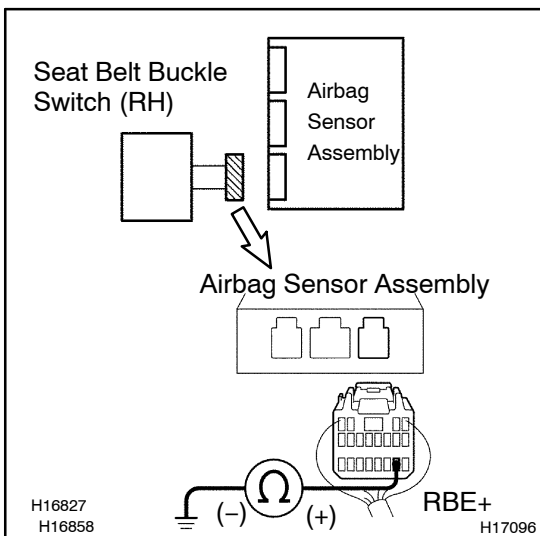
- Connect the connector of the seat belt buckle switch (RH).
- Unlock the seat belt for the front passenger's seat.

CHECK:

For the connector (on the airbag sensor assembly side), measure the resistance between RBE+ and body ground.

OK:

Resistance: 1.0 k Ω – 1.6 k Ω

NG**Replace front seat inner belt (RH).****OK****5 Check seat belt buckle switch (RH).****PREPARATION:**

Lock the seat belt for the front passenger's seat.

CHECK:

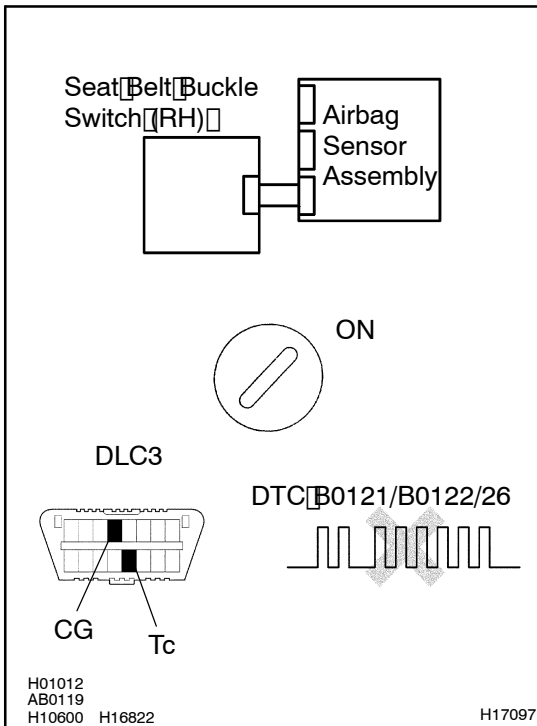
For the connector (on the airbag sensor assembly side), measure the resistance between RBE+ and body ground.

OK:

Resistance: 100 Ω – 500 Ω

NG**Replace front seat inner belt (RH).****OK**

6 Check airbag sensor assembly.



PREPARATION:

- Turn the ignition switch to LOCK.
- Disconnect negative (-) terminal cable from the battery, and wait at least for 90 seconds.
- Connect the connector to the airbag assembly.
- Connect negative (-) terminal cable to the battery, and wait at least for 2 seconds.

CHECK:

- Turn the ignition switch to ON, and wait at least for 20 seconds.
- Clear the DTC stored in memory (See page DI-484).
- Turn the ignition switch to LOCK, and wait at least for 20 seconds.
- Turn the ignition switch to ON, and wait at least for 20 seconds.
- Check the DTC (See page DI-484).

OK:

DTC B0121/B0122/26 is not output.

HINT:

Codes other than code B0121/B0122/26 may be output at this time, but they are not relevant to this check.

NG

Replace airbag sensor assembly.

OK

From the results of the above inspection, the malfunctioning part can now be considered normal. To make sure of this, use the simulation method to check.