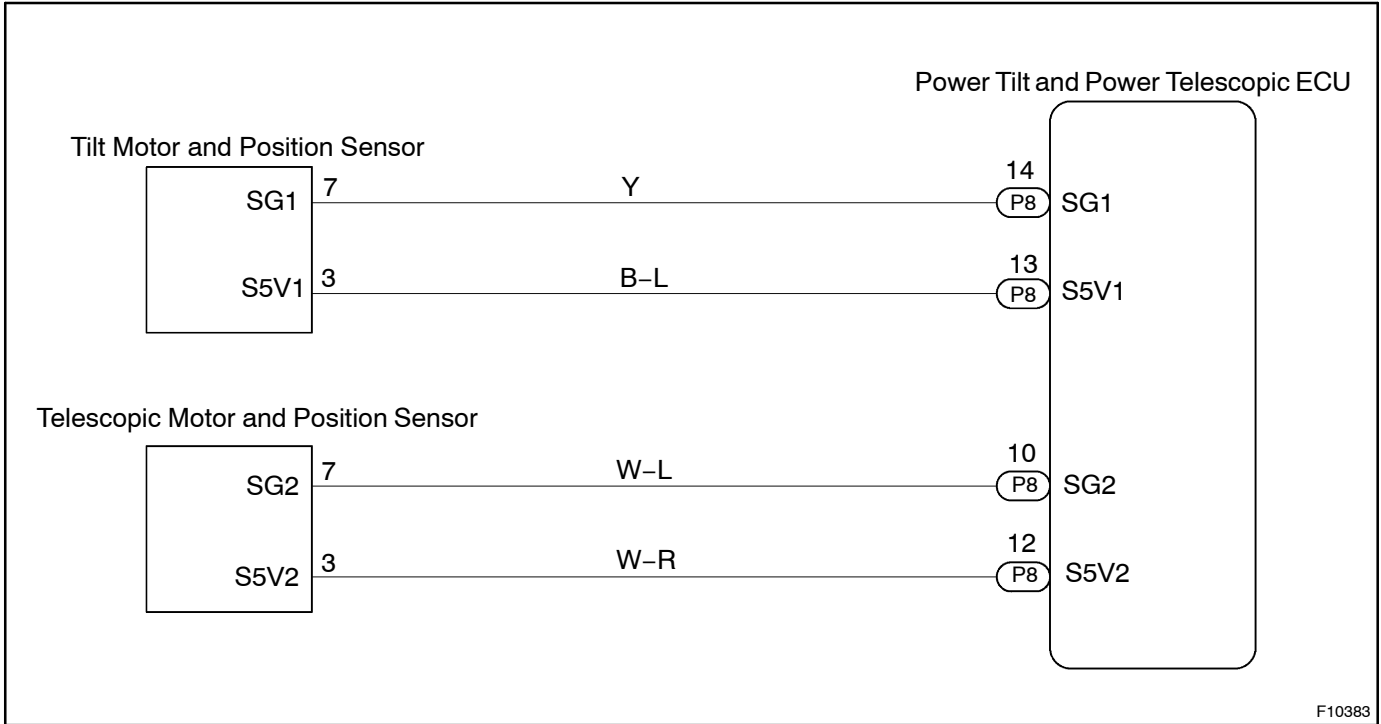


Sensor Power Source Circuit

CIRCUIT DESCRIPTION

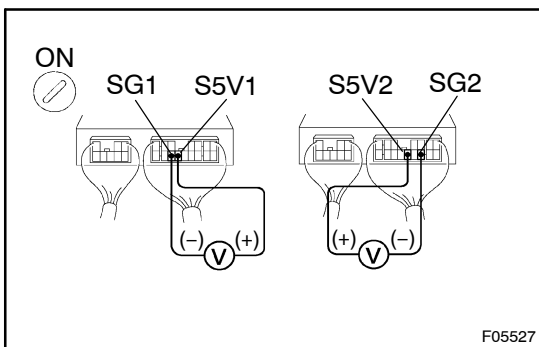
Power to the position sensor is output from ECU.

WIRING DIAGRAM



INSPECTION PROCEDURE

- 1 Check voltage between terminals S5V1 and SG1, S5V2 and SG2 of ECU connector.



PREPARATION:

Remove ECU with connectors still connected.

CHECK:

Measure voltage between terminals S5V1 and SG1, S5V2 and SG2 of ECU connector.

OK:

Voltage: 4.5 – 5.5 V

NG

Go to step 3.

OK

2 Check for open circuit in harness and connector between terminals \$5V1 and SG1, \$5V2 and SG2 of ECU connector (See page IN-35).

NG

Repair or replace harness or connector.

OK

Proceed to next circuit inspection shown on the problem symptoms table (See page DI-462).

3 Check for short circuit in harness between terminals \$5V1 and SG1, \$5V2 and SG2 of ECU connector (See page IN-35).

NG

Repair or replace harness or connector.

OK

Check and replace power tilt and power telescopic ECU.