

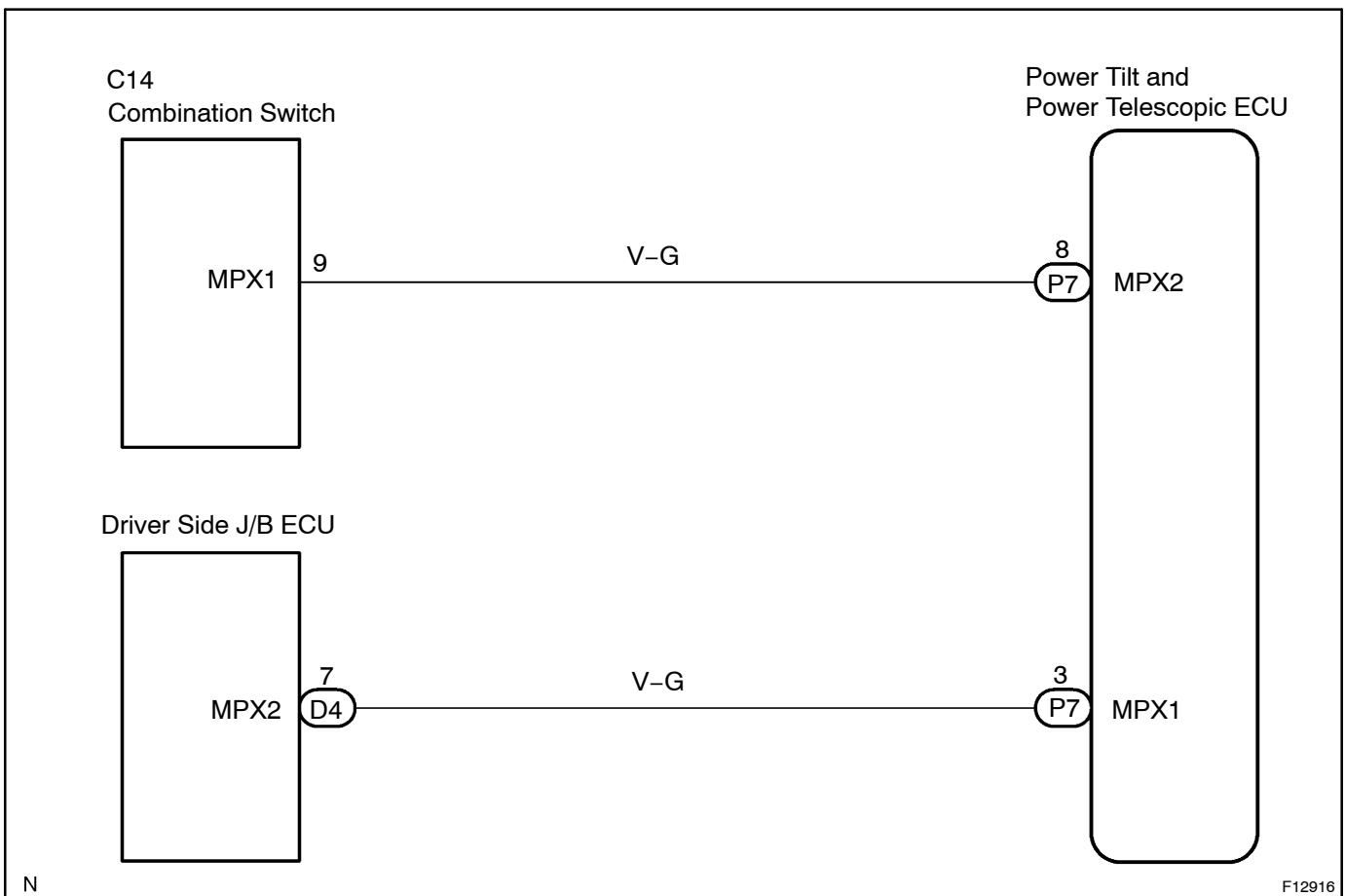
<b>DTC</b>	<b>B2621</b>	<b>Communication Interruption</b>
------------	--------------	-----------------------------------

### CIRCUIT DESCRIPTION

Power tilt and power telescopic ECU forms the network with ECU of other systems through communication bus. Each ECU informs to other ECU of the connection of itself to the network by outputting the specified signal (periodical signal) on to the communication bus with every fixed period of time. Power tilt and power telescopic ECU detects the connected condition of each ECU based on the signal.

DTC No.	DTC Detecting Condition	Trouble Area
B2621	<ul style="list-style-type: none"> <li>• Periodical signal from the specified ECU has stopped.</li> <li>• Periodical signals from the ECU have stopped.</li> </ul>	<ul style="list-style-type: none"> <li>• Gateway system</li> <li>• Power tilt and power telescopic ECU</li> </ul>

### WIRING DIAGRAM



## INSPECTION PROCEDURE

1 Check gateway system (See page DI-1443).

NG

Repair or replace malfunction part.

OK

Check and replace the power tilt and power telescopic ECU.