

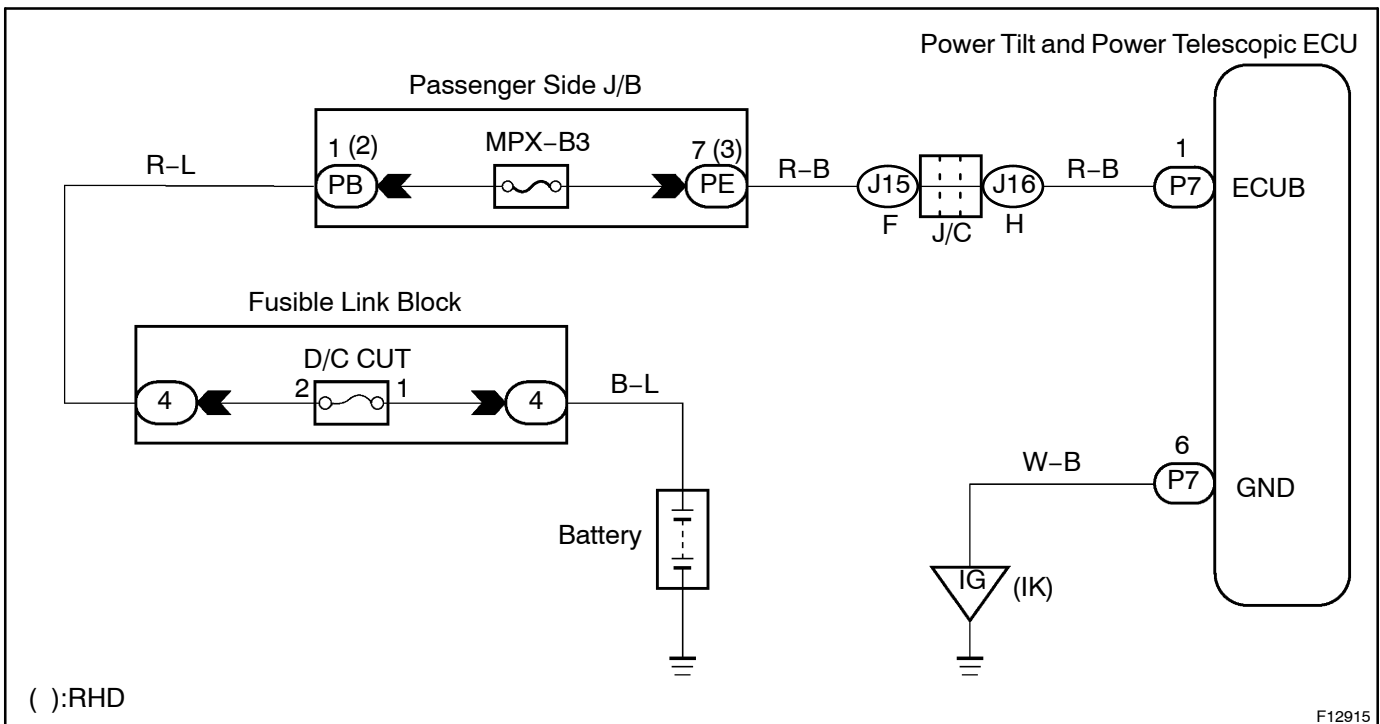
<b>DTC</b>	<b>B2620</b>	<b>ECU Power Source Circuit Malfunction</b>
------------	--------------	---

## CIRCUIT DESCRIPTION

ECU power source circuit supply the battery voltage to power tilt and power telescopic ECU.

DTC No.	DTC Detecting Condition	Trouble Area
B2620	The condition that the voltage of the ECU Power Source circuit drop to be 9V or less continues for 10 seconds or more	<ul style="list-style-type: none"> <li>• Battery</li> <li>• ECU power source circuit</li> <li>• Power tilt and power telescopic ECU</li> </ul>

## WIRING DIAGRAM



## INSPECTION PROCEDURE

1	Check that the battery voltage is 11V or more when engine is stopped.
---	---

NG

Charge or replace battery.

OK

2 Check ECU power source circuit (See page DI-472).

NG

Repair or replace malfunction part.

OK

Check and replace the power tilt and power telescopic ECU.