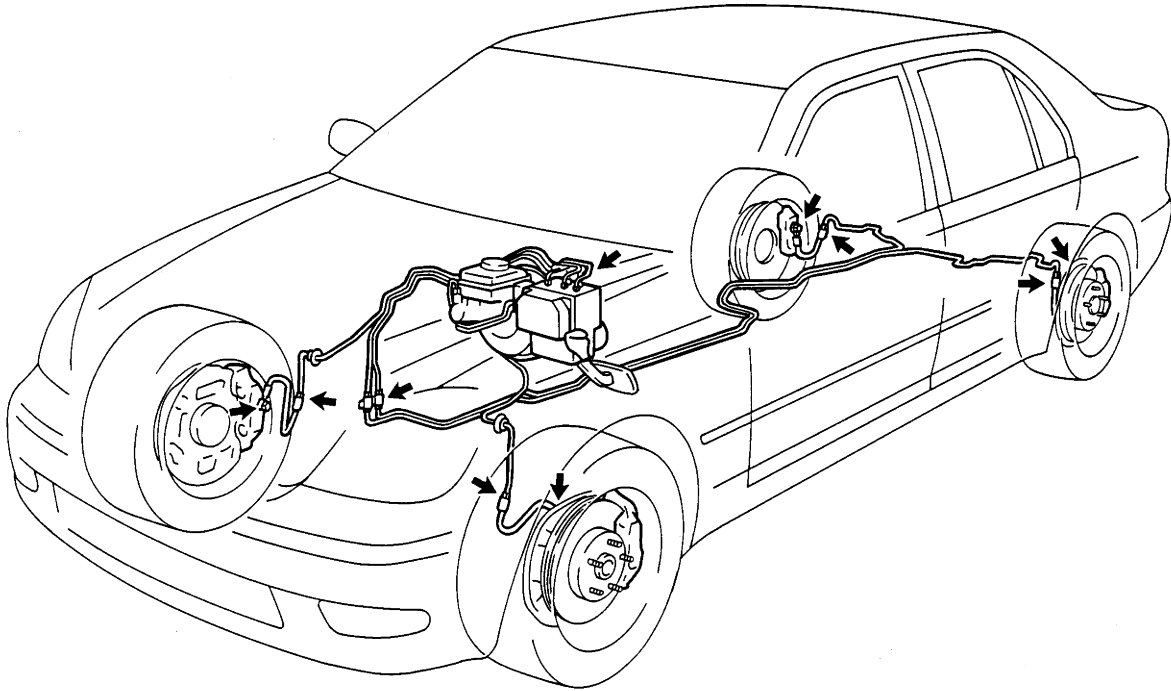


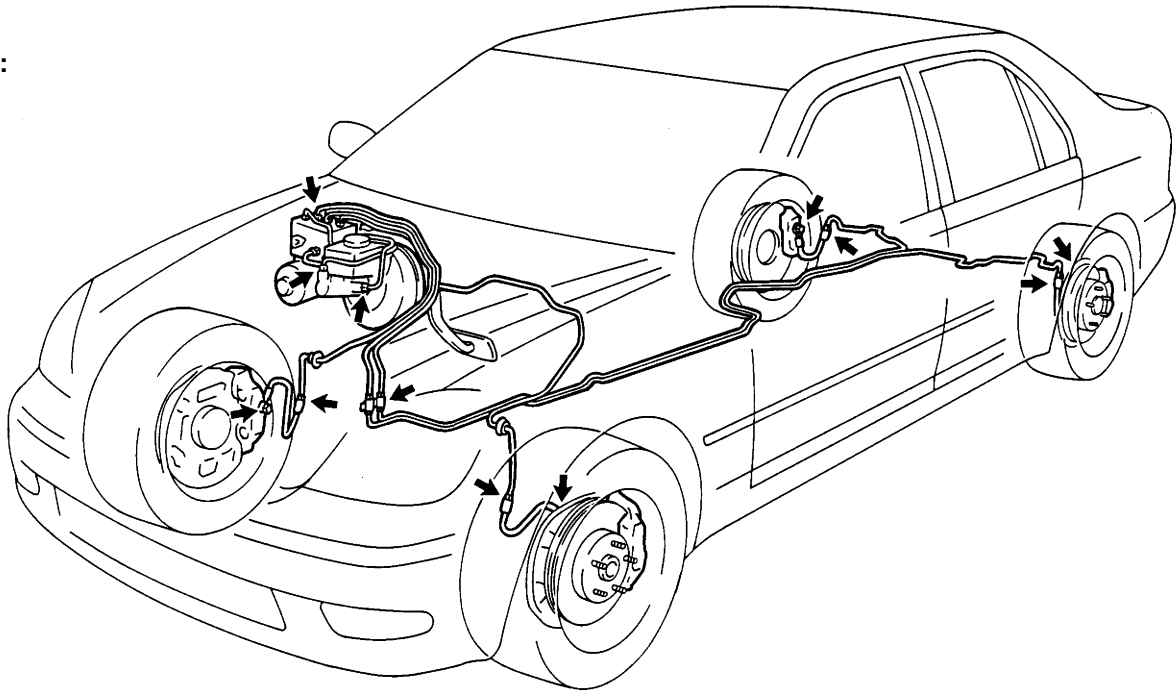
Check for Fluid Leakage

Check for fluid leakage from the actuator or hydraulic lines.

LHD:



RHD:



F12714
F12713

F13735