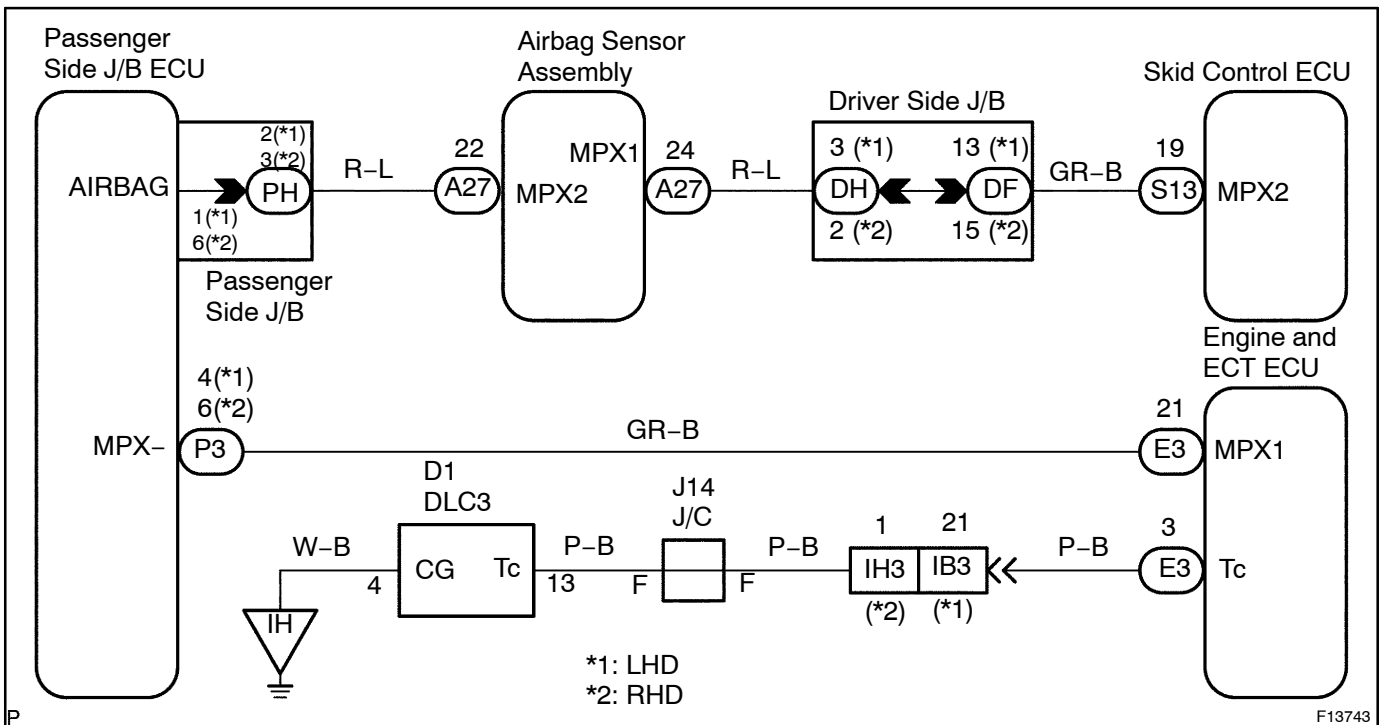


Tc Terminal Circuit

CIRCUIT DESCRIPTION

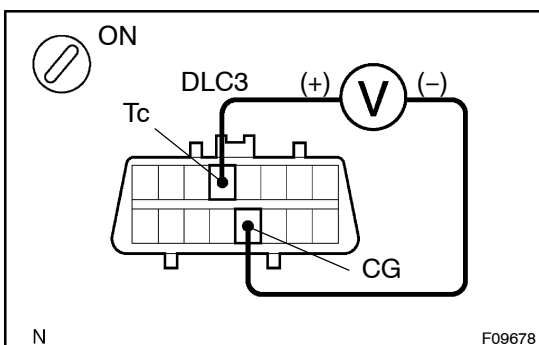
Connecting terminals Tc and CG of the DLC3 causes the ECU to display the DTC by flashing the ABS warning light.

WIRING DIAGRAM



INSPECTION PROCEDURE

- 1 Check voltage between terminals Tc and CG of DLC3.



PREPARATION:

Turn the ignition switch ON.

CHECK:

Measure voltage between terminals Tc and CG of DLC3.

OK:

Voltage: 10 - 14 V

OK

If ABS warning light does not blink even after Tc and CG are connected, the ECU may be defective.

NG

2 Check for open and short circuit in harness and connector between engine and ECT ECU and DLC3, DLC3 and body ground (See page IN-35).

NG

Repair or replace harness or connector.

OK

3 Check for open and short circuit in multiplex communication circuit between engine and ECT ECU to skid control ECU (See page IN-35).

NG

Repair or replace harness or connector.

OK

Check and replace skid control ECU.