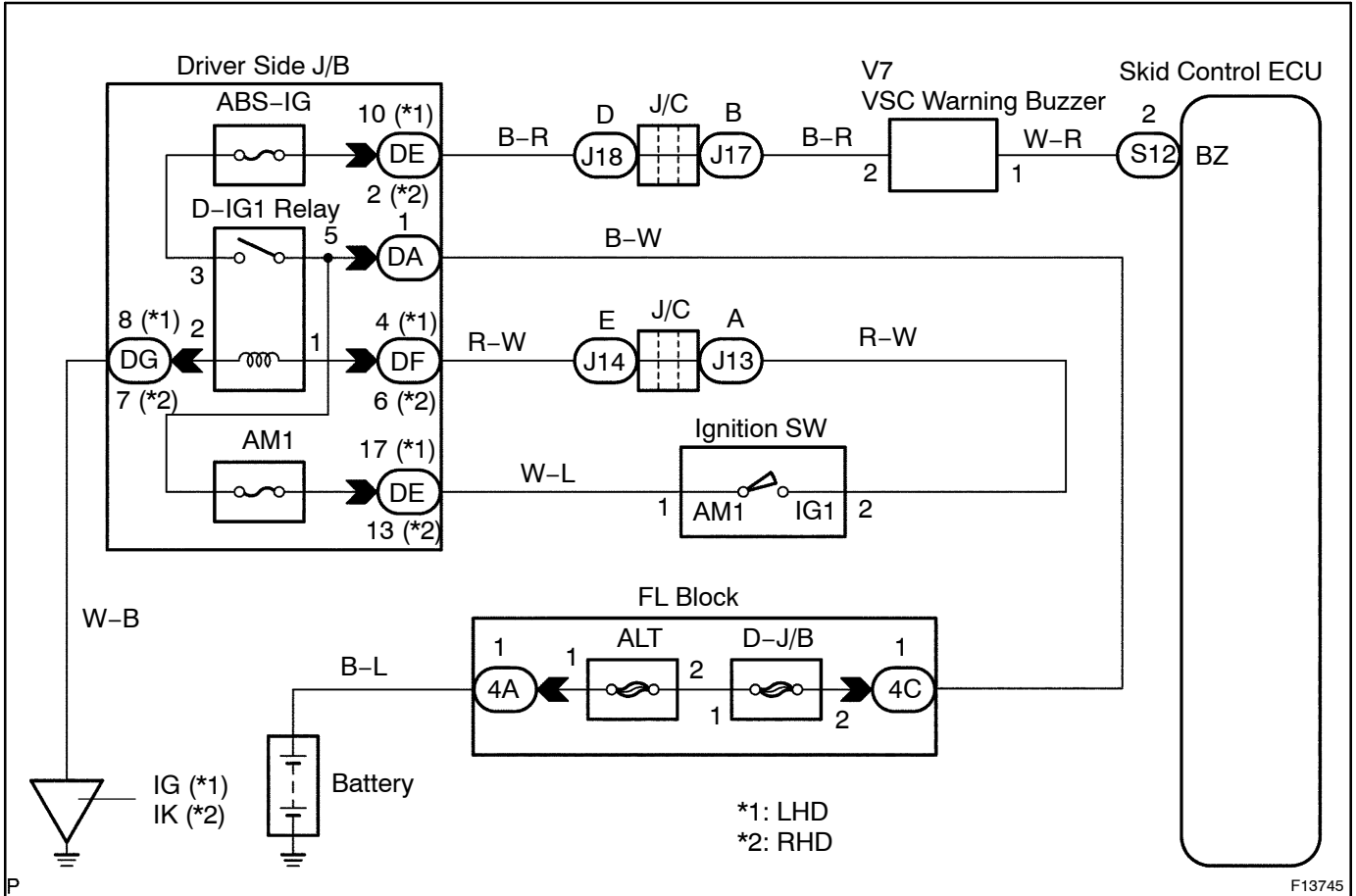


# VSC Warning Buzzer Circuit

## CIRCUIT DESCRIPTION

The VSC warning buzzer sounds during VSC operation.

## WIRING DIAGRAM



F13745

**INSPECTION PROCEDURE****HINT:**

Start inspection from step 1 in case of using the hand-held tester and start from step 2 in case of not using the hand-held tester.

<b>1</b>	<b>Check operation of the VSC warning buzzer.</b>
----------	---

**PREPARATION:**

- (a) Connect the hand-held tester to the DLC3.
- (b) Turn the ignition switch ON and turn the hand-held tester main switch ON.
- (c) Select the ACTIVE TEST mode on the hand-held tester.

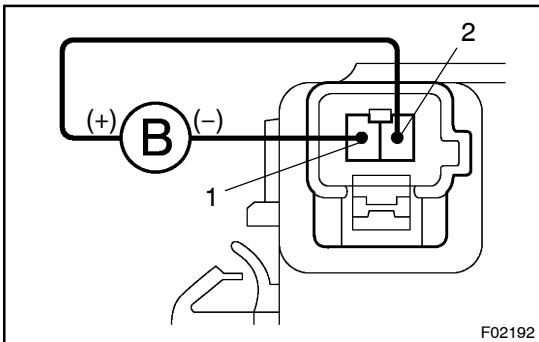
**CHECK:**

Check "beep, beep" sound of the VSC warning buzzer by the hand-held tester.

<b>OK</b>	<b>Check and replace skid control ECU.</b>
-----------	--

<b>NG</b>
-----------

<b>2</b>	<b>Check VSC warning buzzer.</b>
----------	----------------------------------

**PREPARATION:**

Disconnect the VSC warning buzzer connector.

**CHECK:**

Apply battery voltage to the terminals 1 and 2 of VSC warning buzzer connector. Check that the VSC warning buzzer sound.

<b>NG</b>	<b>Replace the VSC warning buzzer.</b>
-----------	--

<b>OK</b>
-----------

3 Check for open and short circuit in harness and connector between skid control ECU and the VSC warning buzzer (See page IN-35).

NG

Repair or replace harness or connector.

OK

Check and replace skid control ECU.