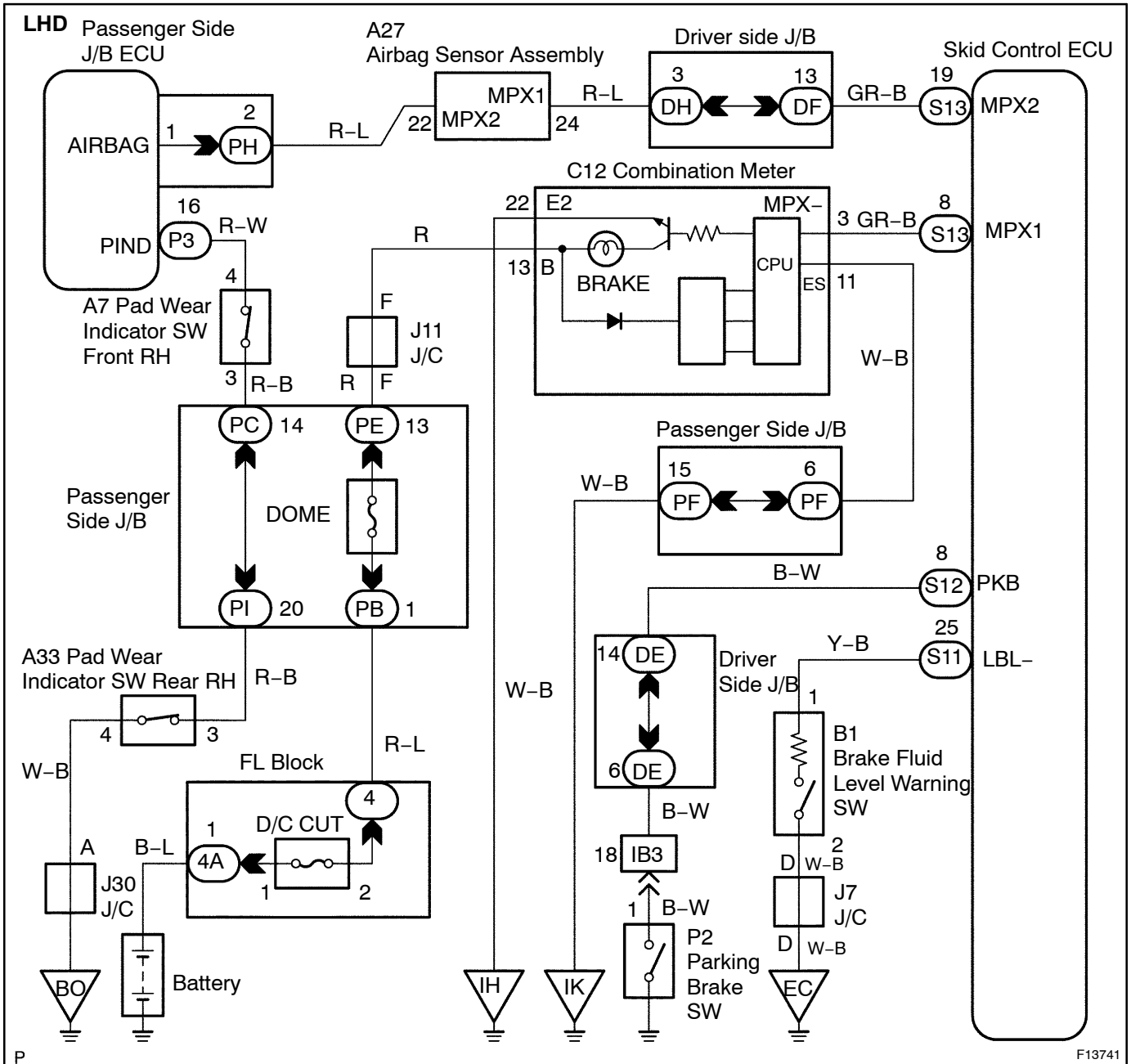


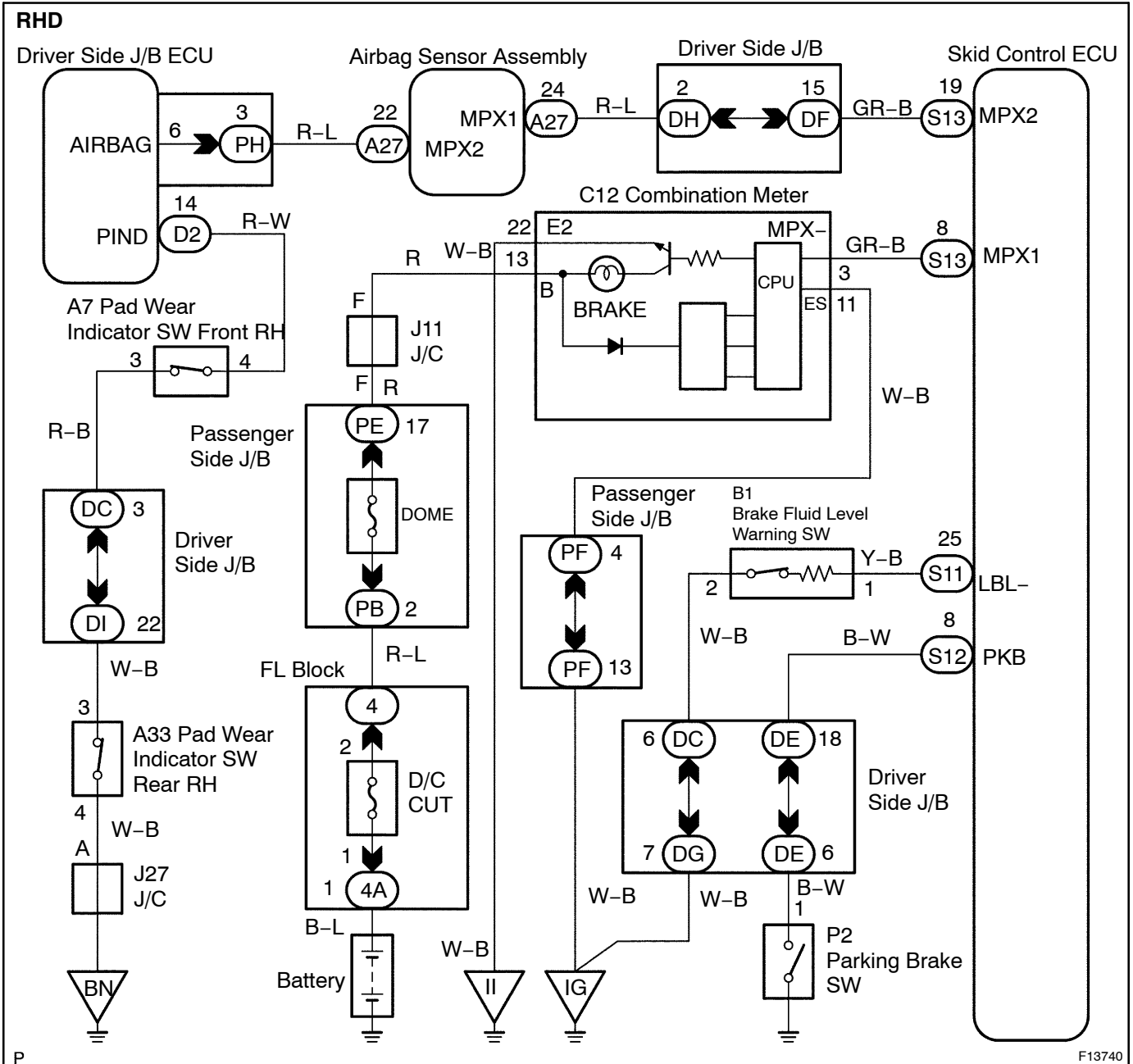
Brake Warning Light Circuit

CIRCUIT DESCRIPTION

The brake warning light lights up when the brake fluid is insufficient, the parking brake is applied or the EBD is defective.

WIRING DIAGRAM





INSPECTION PROCEDURE

1 Check brake pad lining thickness and pad wear indicator switch circuit (See page BR-35 and BR-45).

NG Replace brake pad, or repair and replace pad wear indicator circuit.

OK

2 Check parking brake switch circuit (See page BE-14).

NG Repair or replace parking brake switch circuit.

OK

3 Check brake fluid level warning switch circuit (See page BE-14).

NG Repair or replace brake fluid level warning switch circuit.

OK

4 Is DTC output for ABS?

Check DTC on page DI-343.

YES Repair circuit indicated by the output code.

NO

5 Check the brake warning light.

See combination meter troubleshooting on page BE-14.

NG

Repair or replace combination meter.

OK

6 Check for open and short circuit in multiplex communication circuit between terminal MPX1 of skid control ECU and MPX- of combination meter, terminal MPX2 of skid control ECU and MPX1 of airbag sensor assembly (See page IN-35).

NG

Repair or replace harness or connector.

OK

Check and replace skid control ECU.