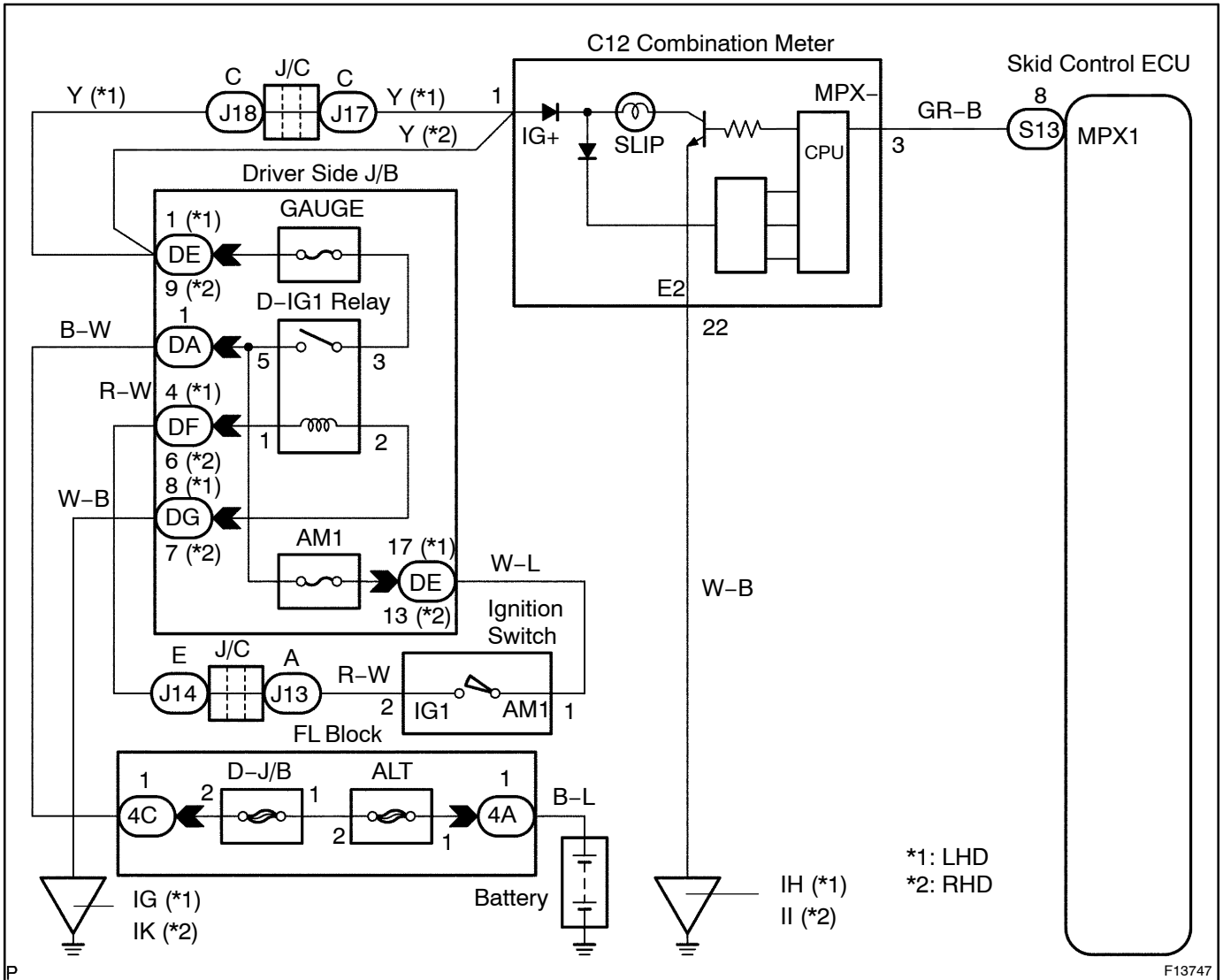


SLIP Indicator Light Circuit

CIRCUIT DESCRIPTION

The SLIP indicator blinks during TRC & VSC operation.

WIRING DIAGRAM



INSPECTION PROCEDURE**HINT:**

Start the inspection from step 1 in case of using the hand-held tester and start from step 2 in case of not using the hand-held tester.

1 Check operation of the SLIP indicator light.

PREPARATION:

- (a) Connect the hand-held tester to the DLC3.
- (b) Turn the ignition switch ON and turn the hand-held tester main switch ON.
- (c) Select the ACTIVE TEST mode on the hand-held tester.

CHECK:

Check that "ON" and "OFF" of the SLIP indicator light can be shown on the combination meter by the hand-held tester.

OK

Check and replace skid control ECU.

NG

2 Check the SLIP indicator light.

See combination meter troubleshooting on [page BE-73](#).

NG

Repair bulb or combination meter assembly.

OK

3 Check for open and short circuit in multiplex communication circuit between terminal MPX1 of skid control ECU and terminal MPX- of combination meter (See [page IN-35](#)).

NG

Repair or replace harness or connector.

OK

Check and replace skid control ECU.