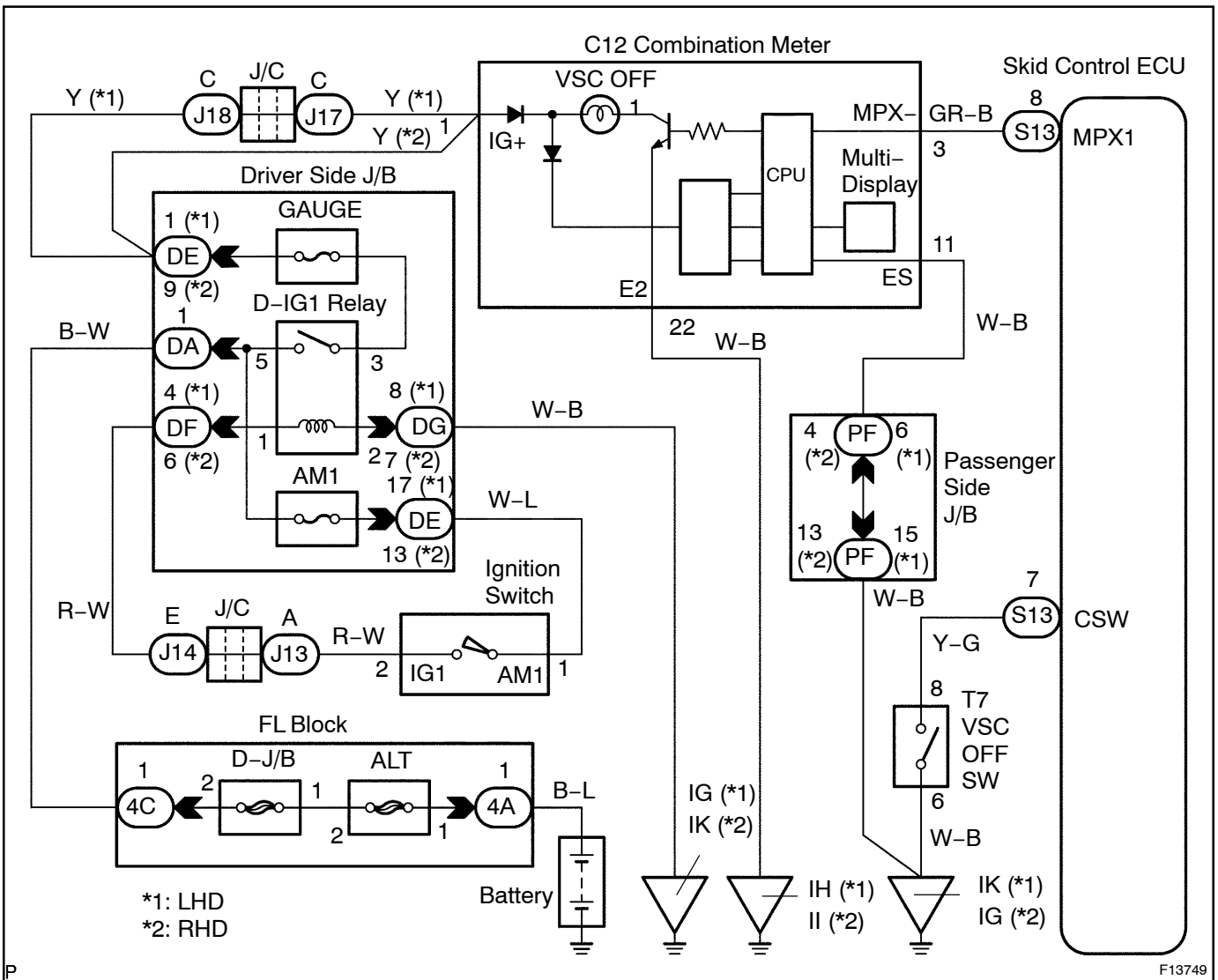


VSC OFF Indicator Light, VSC OFF Switch Circuit

CIRCUIT DESCRIPTION

This is the TRC & VSC control main switch. Pressing the VSC OFF switch stops TRC & VSC controls' operation and turns the VSC OFF indicator ON. The VSC OFF indicator also turns ON when the ECU prohibits ABS & TRC & VSC controls. Turn the ignition switch OFF, TRC & VSC control surely comes on when the ignition switch turns ON next time

WIRING DIAGRAM



INSPECTION PROCEDURE

HINT:

Start the inspection from step 1 in case of using the hand-held tester and start from step 2 in case of not using the hand-held tester.

1	Check operation of the VSC OFF indicator light.
----------	--

PREPARATION:

- (a) Connect the hand-held tester to the DLC3.
- (b) Turn the ignition switch ON and turn the hand-held tester main switch ON.
- (c) Select the ACTIVE TEST mode on the hand-held tester.

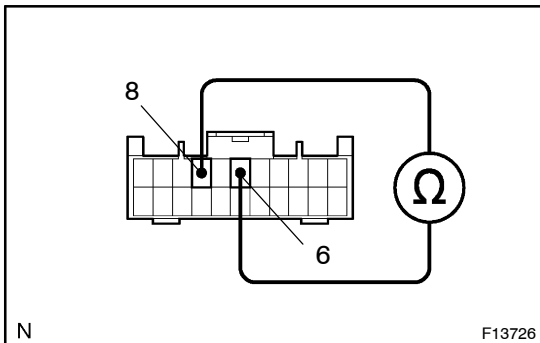
CHECK:

Check that "ON" and "OFF" of the VSC OFF indicator light can be shown on the combination meter by the hand-held tester.

NG	Go to step 4.
-----------	----------------------



2	Check the VSC OFF switch.
----------	----------------------------------



PREPARATION:

- (a) Remove the VSC OFF switch.
- (b) Disconnect the VSC OFF switch connector.

CHECK:

Measure resistance between terminals 6 and 8 of the VSC OFF switch when the VSC OFF switch is on and off.

OK:

VSC OFF switch	Resistance
Pushed in	Continuity
Released	1MΩ or higher

NG	Replace the VSC OFF switch.
-----------	------------------------------------



- 3 Check for open and short circuit in harness and connector between terminal CSW of skid control ECU and VSC OFF switch and body ground (See page IN-35).

NG

Repair or replace harness or connector.

OK

- 4 Check the VSC OFF indicator light.

See combination meter troubleshooting on page BE-73.

NG

Repair or replace combination meter.

OK

- 5 Check for open and short circuit in multiplex communication circuit between terminals MPX1 of skid control ECU and terminal MPX- of combination meter (See page IN-35).

NG

Repair or replace harness or connector.

OK

Check and replace skid control ECU.