

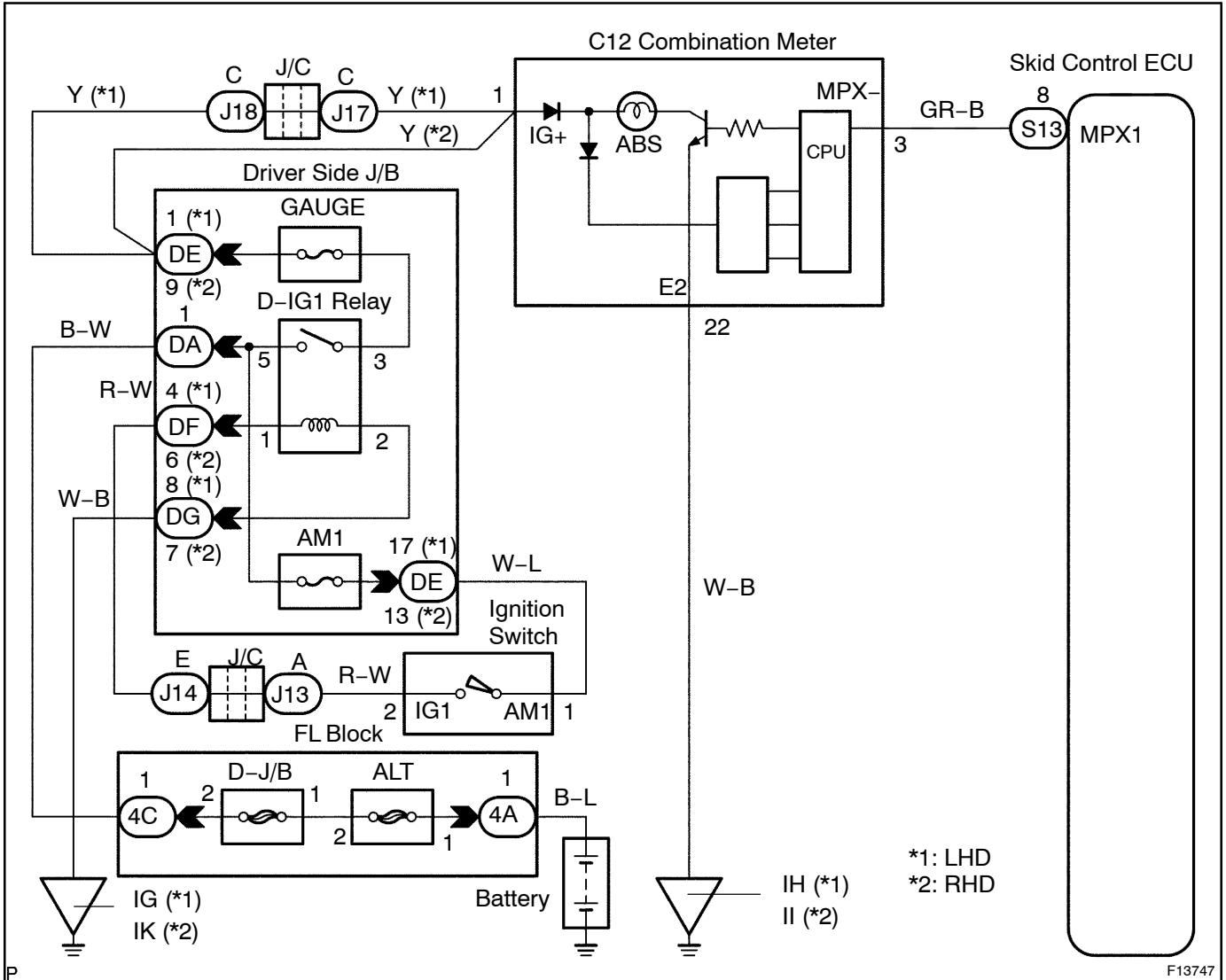
ABS Warning Light Circuit

CIRCUIT DESCRIPTION

If the ECU detects trouble, it lights the ABS warning light and at the same time prohibits ABS control. At this time, the ECU records DTC in memory.

Connect terminals Tc and CG of the DLC3 to make the ABS warning light blink and output DTC.

WIRING DIAGRAM



INSPECTION PROCEDURE**HINT:**

Troubleshooting in accordance with the chart below for each trouble symptom.

ABS warning light does not light up	*1
ABS warning light remains on	*2

*1: Start the inspection from step 1 in case of using the hand-held tester and start from step 2 in case of not using the hand-held tester.

*2: After inspection with step 4, start the inspection from step 5 in case of using the hand-held tester and start from step 6 in case of not using the hand-held tester.

1	Check operation of the ABS warning light.
----------	--

PREPARATION:

- (a) Connect the hand-held tester to the DLC3.
- (b) Turn the ignition switch ON and turn the hand-held tester main switch ON.
- (c) Select the ACTIVE TEST mode on the hand-held tester.

CHECK:

Check that "ON" and "OFF" of the ABS warning light can be shown on the combination meter by the hand-held tester.

OK

Check and replace skid control ECU.

NG

2	Check ABS warning light.
----------	---------------------------------

See combination meter troubleshooting on page BE-73.

NG

Repair bulb or combination meter assembly.

OK

3	Check for open and short circuit in multiplex communication circuit between terminal MPX1 of skid control ECU and terminal MPX- of combination meter (See page IN-35).
----------	---

NG

Repair or replace harness and connector.

OK

Check and replace skid control ECU.

4 Check that the skid control ECU connectors are securely connected to the skid control ECU.

NO

Connect the connector to the skid control ECU.

YES

5 Check operation of the ABS warning light (See step 1).

OK

Check and replace skid control ECU.

NG

6 Is DTC output?

Check DTC on [page DI-343](#).

YES

Repair circuit indicated by the code output.

NO

7 Check for open and short circuit in multiplex communication circuit between terminal MPX1 of skid control ECU and terminal MPX- of combination meter (See [page IN-35](#)).

NG

Repair or replace harness or connector.

OK

Check for replace skid control ECU.