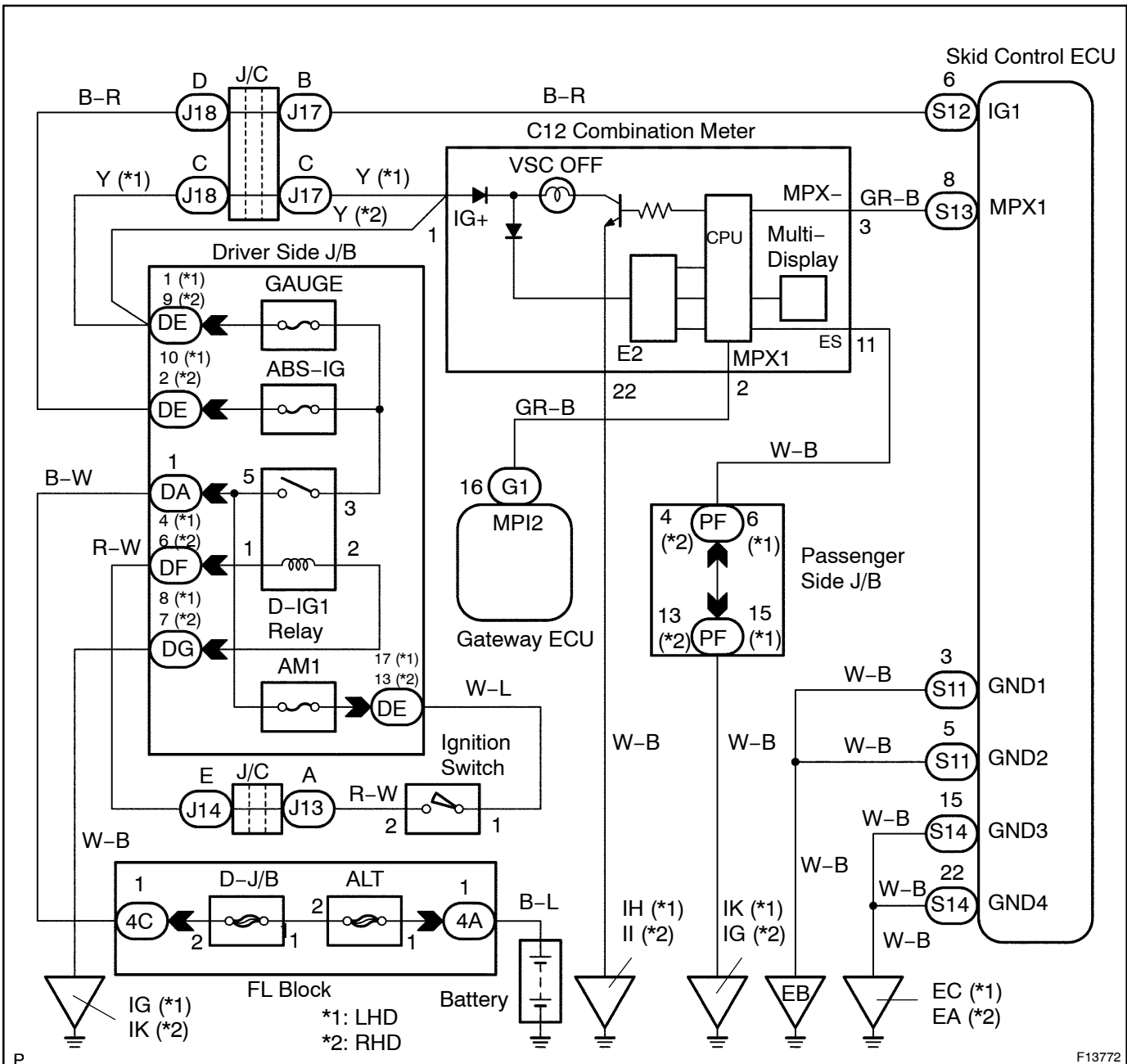


DTC	Always ON	Malfunction in ECU VSC Warning Indicator Circuit
------------	------------------	---

CIRCUIT DESCRIPTION

DTC No.	DTC Detecting Condition	Trouble Area
Always ON	Malfunction in skid control ECU	<ul style="list-style-type: none"> Power source circuit Skid control ECU

WIRING DIAGRAM



INSPECTION PROCEDURE

HINT:

Start the inspection from step 1 in case of using the hand-held tester and start from step 5 in case of not using the hand-held tester.

1 Is DTC output for VSC?

Check DTC on page DI-343.

YES

Repair circuit indicated by the code output.

NO

2 Check operation of the VSC warning indicator.

PREPARATION:

- (a) Connect the hand-held tester to the DLC3.
- (b) Turn the ignition switch ON and turn the hand-held tester main switch ON.
- (c) Select the ACTIVE TEST mode on the hand-held tester.

CHECK:

Check if the display of "CHECK VSC" (VSC warning) can be shown or turned off on the multi-information display by the hand-held tester.

OK

Check ENG \pm signal circuit and engine and ECT ECU.

NG

3 Check for open and short circuit in multiplex communication circuit between terminal MPX1 of skid control ECU and terminal MPX- of combination meter (See page N-35).

NG

Repair or replace harness or connector.

OK

4 Check multi-information display.

See combination meter troubleshooting on page BE-73.

NG

Repair or replace combination meter.

OK

Check and replace skid control ECU.

5 Is DTC output for VSC?

Check DTC on page DI-343.

YES

Repair circuit indicated by the code output.

NO

6 Is "CHECK VSC" on?

NO

Go to step 9.

YES

Check TC input signal circuit of combination meter ECU and TC terminal circuit of engine and ECT ECU (See page IN-35) and combination meter ECU (See page DI-953).

7 Check gateway ECU (See page DI-1443).

NG

Check and replace gateway ECU.

OK

8 Check for open and short circuit in harness and connector between MPX1 of combination meter and terminal MPI2 of gateway ECU (See page IN-35).

NG

Repair or replace harness or connector.

OK

9 Check multi-information display.

See combination meter troubleshooting on page BE-73.

NG

Repair or replace combination meter.

OK

Check and replace skid control ECU.