

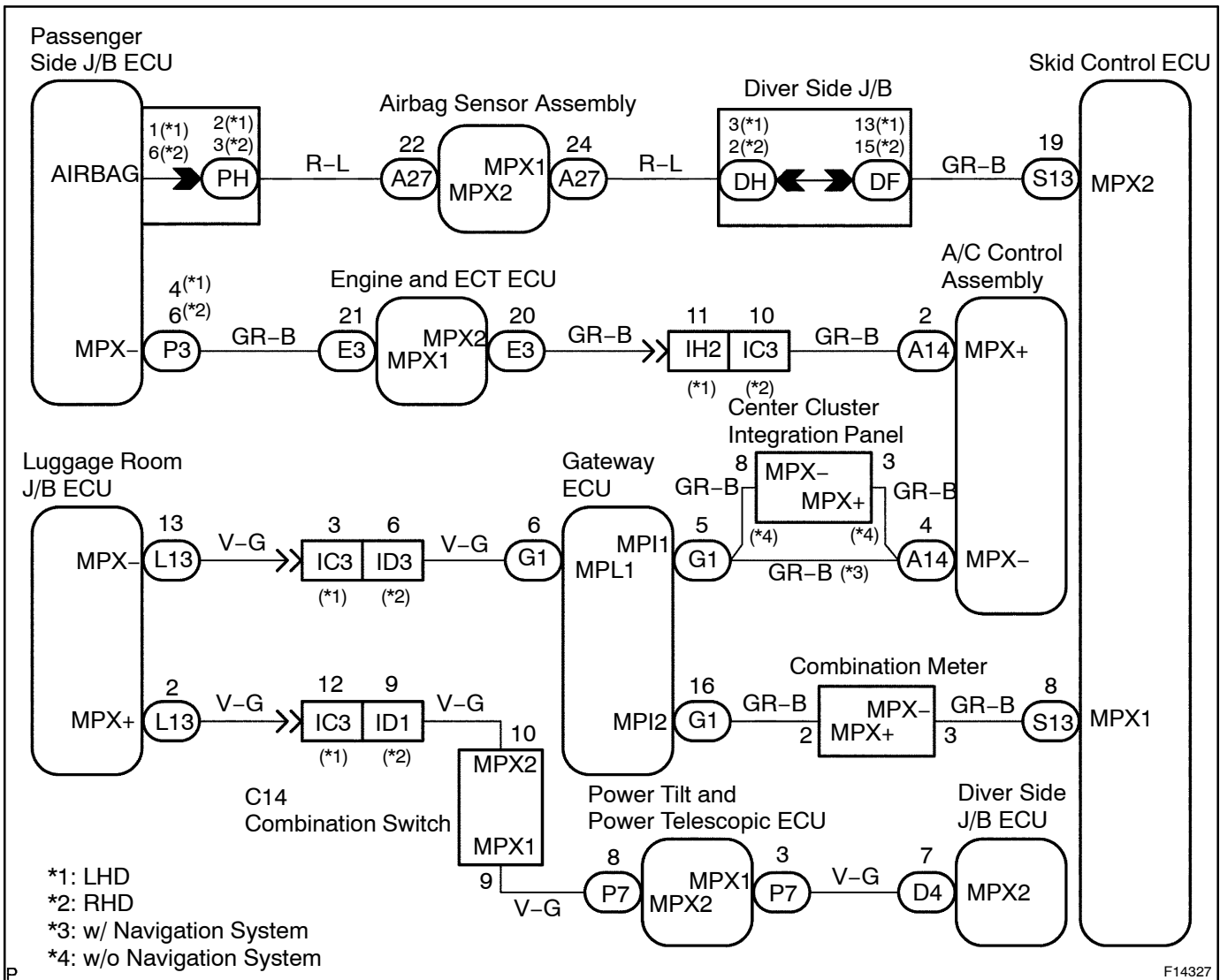
DTC	C1303 / 57	Multiplex Communication Circuit Malfunction
------------	-------------------	--

CIRCUIT DESCRIPTION

Skid control ECU (MPX1) and combination meter send and receive information each other, so do skid control ECU (MPX2) and engine and ECT ECU each other.

DTC No.	DTC Detecting Condition	Trouble Area
C1303 / 57	After the ignition switch is turned ON and when the IG1 terminal voltage is 9.5 V or more, information sent from multiplex communication circuit cannot be received for 5 sec. or more.	<ul style="list-style-type: none"> •MPX1 circuit •MPX2 circuit

WIRING DIAGRAM



INSPECTION PROCEDURE

1	Check for open or short circuit in harness and connector between terminals MPX1 of skid control ECU and combination meter (See page IN-35).
---	---

NG	Repair or replace harness or connector.
----	---

OK

2	Check for open or short circuit in harness and connector between terminals MPX2 of skid control ECU and engine and ECT ECU (See page IN-35).
---	--

NG	Repair or replace harness or connector.
----	---

OK

Check and replace skid control ECU or engine and ECT ECU.
