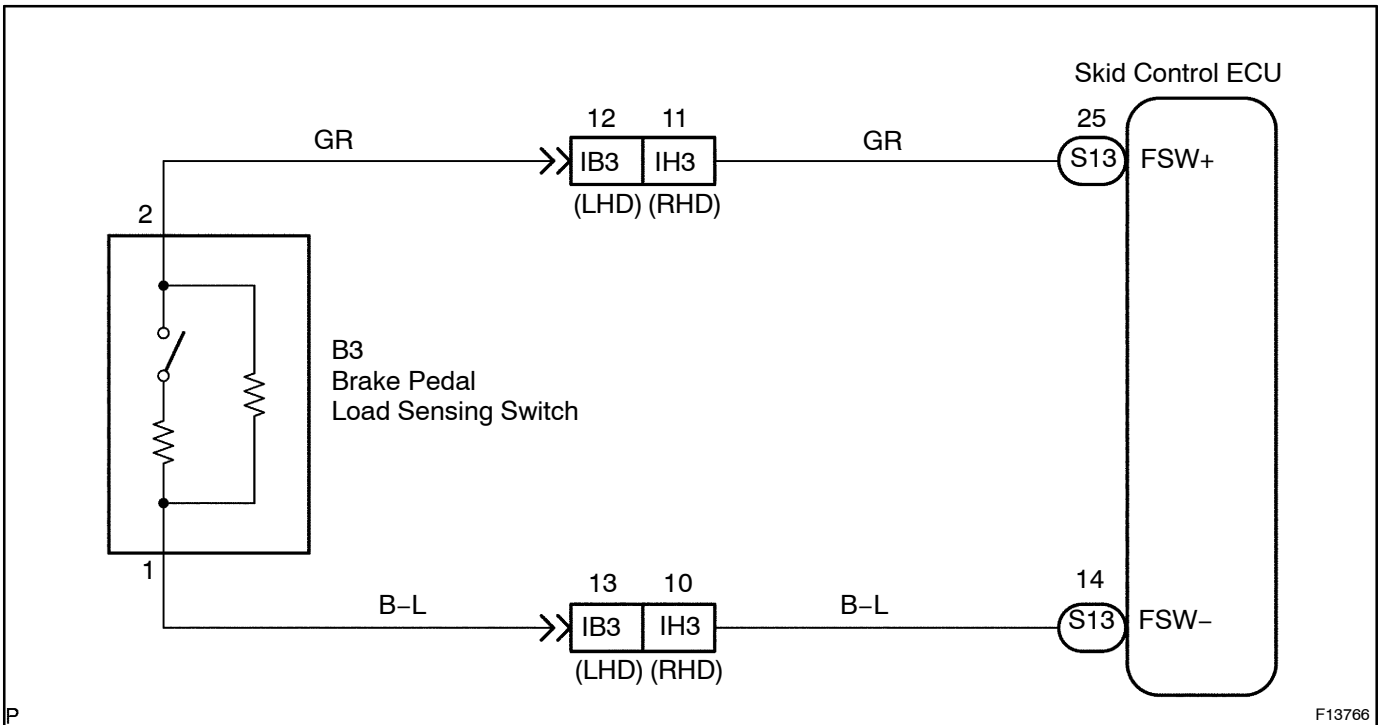


<b>DTC</b>	<b>C1267 / 67</b>	<b>Brake Pedal Load Sensing Switch</b>
------------	-------------------	--

**CIRCUIT DESCRIPTION**

DTC No.	DTC Detecting Condition	Trouble Area
C1267 / 67	Detection of any of conditions 1. through 4: 1. Open or short circuit of the brake pedal load sensing switch continues for 0.3 sec. or more. 2. Immediately after the ignition switch is turned ON, the condition that the brake load sensing switch is ON and the stop light switch is OFF continues for 10 sec. or more. 3. While the vehicle speed becomes 30 km/h (18 mph) or more from 0 km/h (0 mph), the condition that the brake pedal load sensing switch remains ON occurs 5 times continuously. 4. The condition that the stop light switch is ON, the brake pedal load sensing switch is OFF, the master cylinder pressure is 5 Mpa or more and deceleration is 0.4 G or more continues for 1 sec. or more.	<ul style="list-style-type: none"> <li>• Brake pedal load sensing switch</li> <li>• Brake pedal load sensing switch circuit</li> </ul>

**WIRING DIAGRAM**



**INSPECTION PROCEDURE****HINT:**

Start the inspection from step 1 in case of using the hand-held tester and start from step 2 in case of not using the hand-held tester.

**1 Check output value of the brake pedal load sensing switch.**

**PREPARATION:**

- (a) Connect the hand-held tester to the DLC3.
- (b) Turn the ignition switch ON and turn the hand-held tester main switch ON.
- (c) Select the DATALIST mode on the hand-held tester.

**CHECK:**

Check that the brake pedal load sensing switch value observed in the hand-held tester is changing when the brake pedal is being depressed.

**OK:**

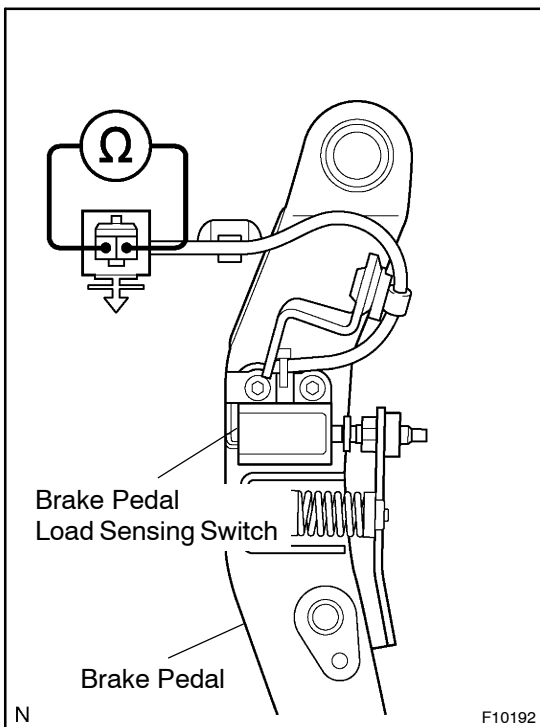
**Brake pedal load sensing switch value must be changing.**

OK

Go to step 4.

NG

**2 Check brake pedal load sensing switch.**

**PREPARATION:**

Disconnect the brake pedal load sensing switch connector.

**CHECK:**

Measure resistance between each terminal of brake pedal load sensing switch when brake pedal is depressed.

**OK:**

Brake pedal depressed	Resistance (about 1 kΩ)
Brake pedal released	Resistance (about 213 Ω)

NG

Replace brake pedal assembly.

OK

3 Check for open and short circuit in harness and connector between brake pedal load sensing switch and skid control ECU.

NG

Repair or replace harness or connector.

OK

4 Check whether or not the ECU terminal STP input voltage changes when the stop light switch is turned on and off.

NO

Check the stop light switch circuit (See page [BE-14](#)).

YES

Check and replace skid control ECU.