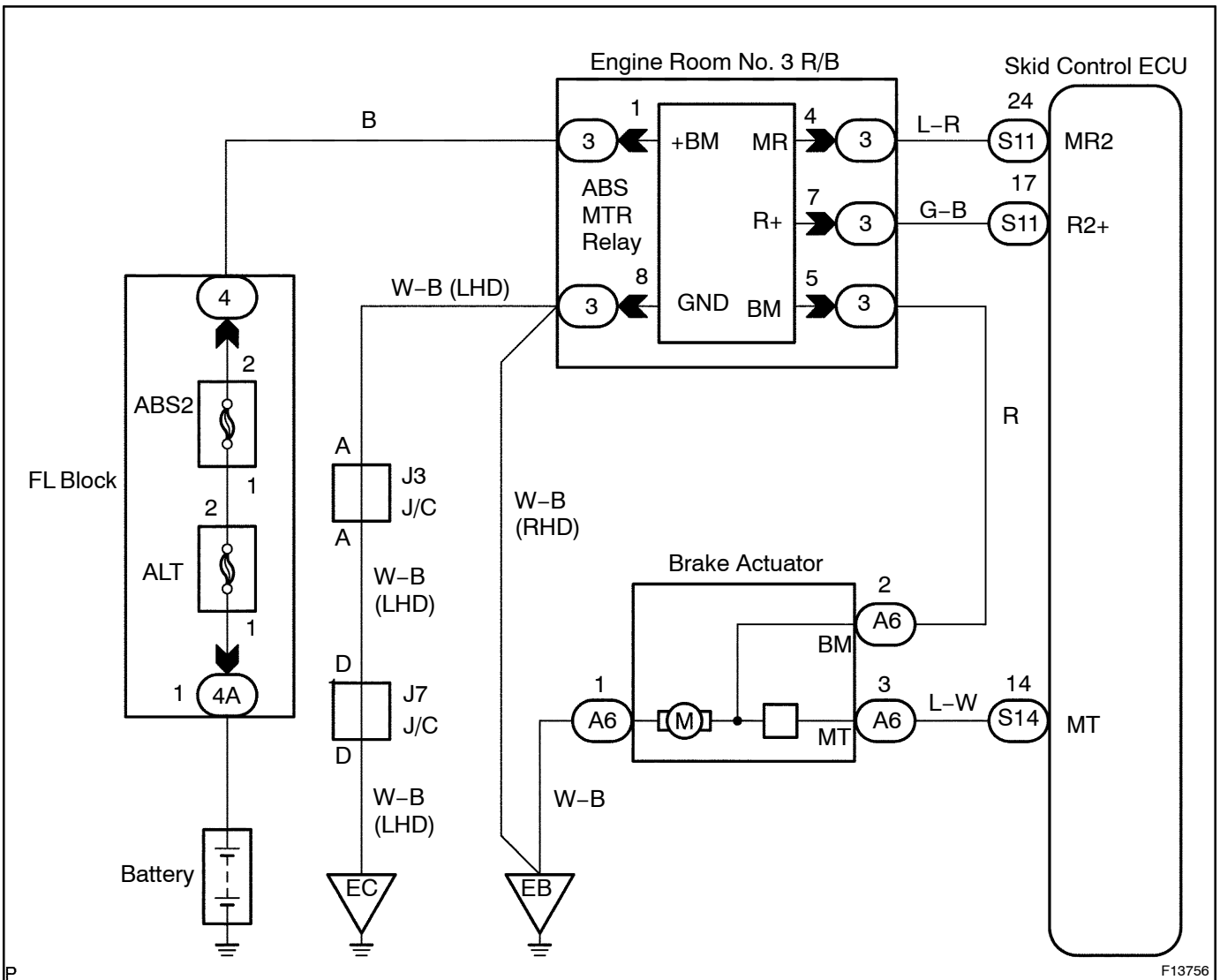


DTC	C1251 / 51	ABS Pump Motor Lock
------------	-------------------	----------------------------

CIRCUIT DESCRIPTION

DTC No.	DTC Detecting Condition	Trouble Area
C1251 / 51	Detection of either condition 1. or 2.: 1. The ABS pump motor is not operating normally. 2. Open circuit of the ABS pump motor continues for 2 sec. or more.	ABS pump motor

WIRING DIAGRAM

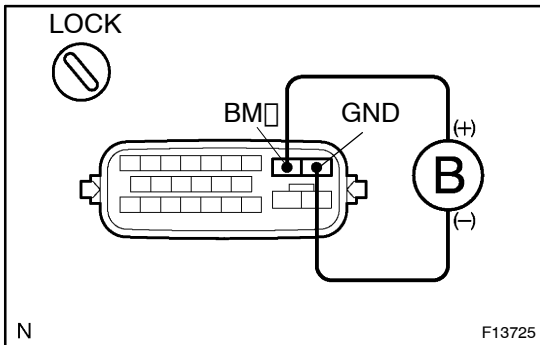


P

F13756

INSPECTION PROCEDURE

1 Check operation of pump motor.

**PREPARATION:**

Disconnect the brake actuator connector.

CHECK:

Connect positive \oplus lead to terminal BM and negative \ominus lead to terminal GND of the brake actuator. Check that the pump motor is operated.

OK:

The running sound of the pump motor should be heard.

OK

Check for open circuit in harness and connector between ABS MTR relay, brake actuator and skid control ECU (See page IN-35).

NG

Replace brake actuator.