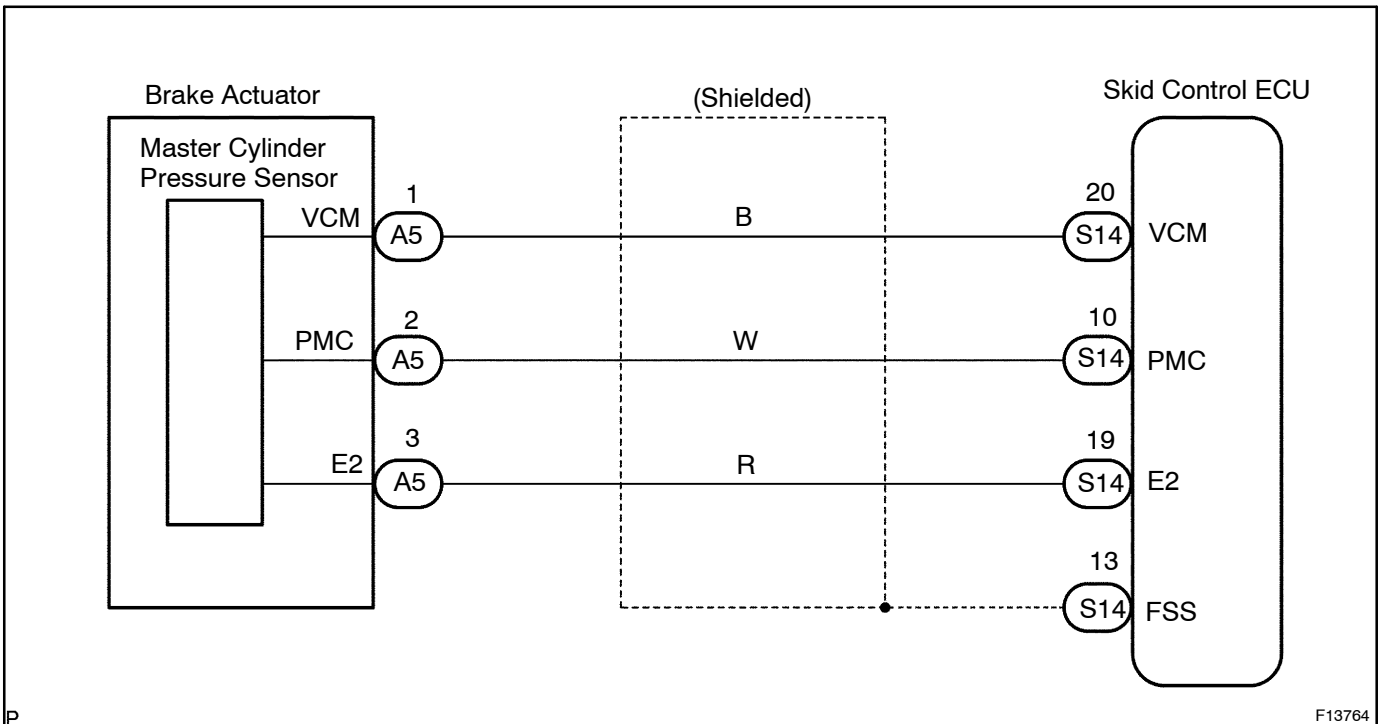


DTC	C1246 / 46	Master Cylinder Pressure Sensor Circuit
------------	-------------------	--

CIRCUIT DESCRIPTION

DTC No.	DTC Detecting Condition	Trouble Area
C1246 / 46	Detection of any of conditions 1. through 5.: 1. When the vehicle speed is 7 km/h (4 mph) or more and ECU PMC terminal voltage exceeds 0.86 V, the condition that the voltage does not change 0.005 V or more continues for 30 sec. 2. Noise in ECU PMC terminal occurs 7 times or more in 5 sec. 3. When the ECU STP terminal is OFF, the condition that ECU PMC terminal voltage is 0.86 V or more, or less than 0.3 V continues for 5 sec. or more. 4. When IG1 terminal voltage is 9.5 to 17.2 V, the condition that ECU VCM terminal voltage is out of the range from 4.4 to 5.6 V continues for 1.2 sec. or more. 5. When ECU VCM terminal voltage is 4.4 to 5.6 V, the condition that the ECU PMC terminal voltage is out of the range from 0.14 to 4.85 V continues for 1.2 sec. or more.	<ul style="list-style-type: none"> • Master cylinder pressure sensor • Master cylinder pressure sensor circuit

WIRING DIAGRAM



P

F13764

INSPECTION PROCEDURE**HINT:**

Start the inspection from step 1 in case of using the hand-held tester and start from step 2 in case of not using the hand-held tester.

1	Check output value of the master cylinder pressure sensor.
----------	---

PREPARATION:

- (a) Connect the hand-held tester to the DLC3.
- (b) Turn the ignition switch ON and turn the hand-held tester main switch ON.
- (c) Select the DATALIST mode on the hand-held tester.

CHECK:

Check that the brake fluid pressure value of the master cylinder pressure sensor observed in the hand-held tester is changing when the brake pedal is being depressed.

OK:

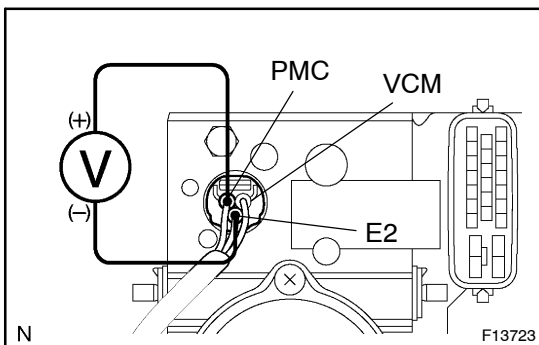
Brake fluid pressure value must be changing.

OK

Go to step 4.

NG

2	Check master cylinder pressure sensor.
----------	---

**PREPARATION:**

Install LSPV gauge to the front caliper bleeder plug portion, and bleed air from LSPV gauge.

SST 09709-29018

CHECK:

Start the engine and depress the brake pedal, then check how the fluid pressure affects voltage of PMC and E2 terminals of the master cylinder pressure sensor with the connector still connected to it.

OK:

Front brake caliper fluid pressure	Voltage
0 kPa (0 kgf/cm ² , 0 psi)	0.37 – 0.63 V
5,883 kPa (60 kgf/cm ² , 853 psi)	1.57 – 1.83 V
11,768 kPa (120 kgf/cm ² , 1,706 psi)	2.77 – 3.03 V

HINT:

Voltage of between terminals VCM and E2: 4.7 – 5.3 V

NG

Replace brake actuator.

OK

3 Check for open and short circuit in harness and connector between master cylinder pressure sensor and skid control ECU (See page IN-35).

NG

Repair or replace harness or connector.

OK

4 Check whether or not the ECU terminal STP input voltage is changes when the stop light switch is turned on and off.

NO

Check stop light switch circuit (See page BE-14).

YES

Check and replace skid control ECU.