

DTC	C1202 / 52	Brake Fluid Level Warning Switch Circuit
------------	-------------------	---

CIRCUIT DESCRIPTION

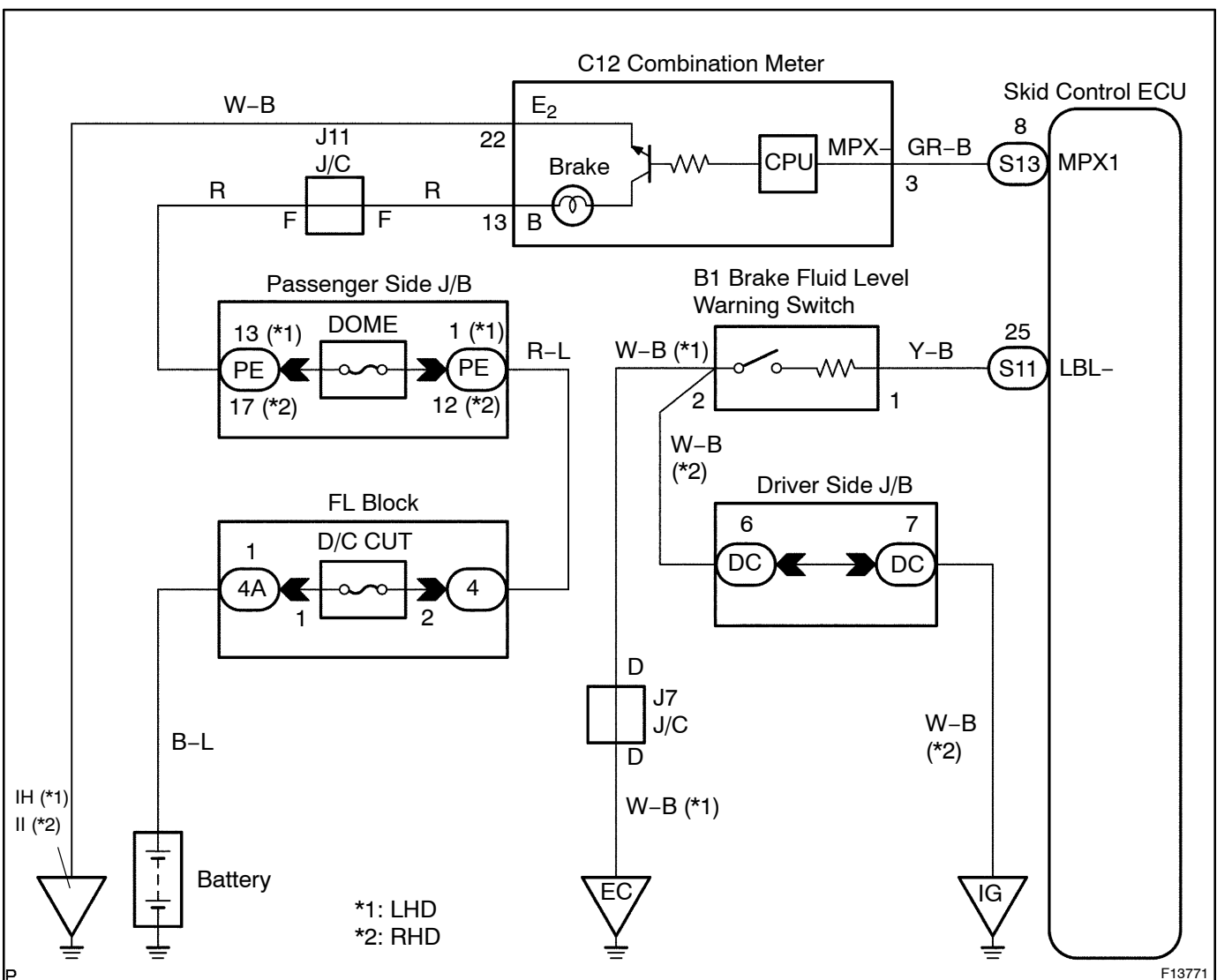
The brake fluid level warning switch sends the corresponding signal to the ECU when the brake fluid level drops.

HINT:

Depressing the parking brake pedal also turns on the brake warning light but does not diagnose DTC No. C1202 / 52.

DTC No.	DTC Detecting Condition	Trouble Area
C1202 / 52	Detection of either condition 1. or 2.: 1. Low brake fluid level continues for 30 sec. or more when the vehicle speed is 0 km/h, and for 60 sec. or more when it is in motion. 2. When ECU IG1 terminal voltage is 9.5 to 17.2 V, open circuit of the brake fluid level warning switch continues for 2 sec. or more.	<ul style="list-style-type: none"> • Brake fluid level • Brake fluid level warning switch • Brake fluid level warning switch circuit

WIRING DIAGRAM



INSPECTION PROCEDURE

1 Check brake fluid level.

CHECK:

Check the amount of brake fluid in the reservoir.

NG

Check and repair brake fluid leakage and add fluid.

OK

2 Check brake fluid level warning switch (See page BE-14).

NG

Replace brake fluid level warning switch.

OK

3 Check for open circuit in all the harnesses and components connected to brake warning light (See page N-35).

NG

Repair or replace harness or connector.

OK

Check and replace skid control ECU.