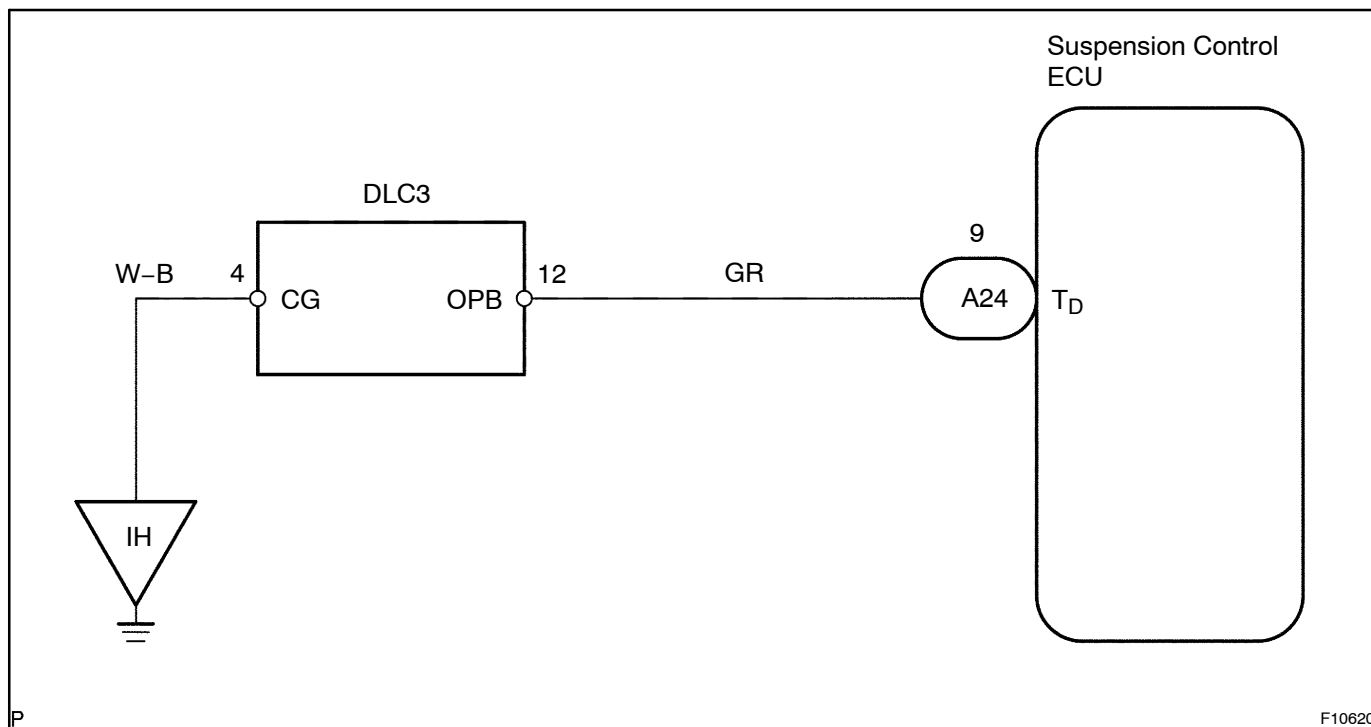


T_D Terminal Circuit

CIRCUIT DESCRIPTION

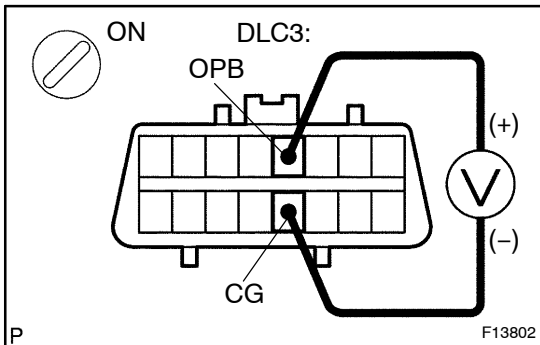
By connecting terminals OPB and CG of the DLC3, the vehicle height control is not carried out.

WIRING DIAGRAM



INSPECTION PROCEDURE

1 Check voltage between terminals OPB and CG of DLC3.

**PREPARATION:**

Turn the ignition switch ON.

CHECK:

Measure the voltage between terminals OPB and CG of the DLC3.

OK:

Voltage: 9 - 14 V

OK

Proceed to next circuit inspection shown on problem symptoms table (See page DI-263).

NG

2 Check for open circuit in harness and connector between terminal CG of DLC3 and body ground (See page IN-35).

NG

Repair or replace harness or connector.

OK

3 Check harness and connector between suspension control ECU and DLC3 (See page IN-35).

NG

Repair or replace harness or connector.

OK

Check and replace suspension ECU.