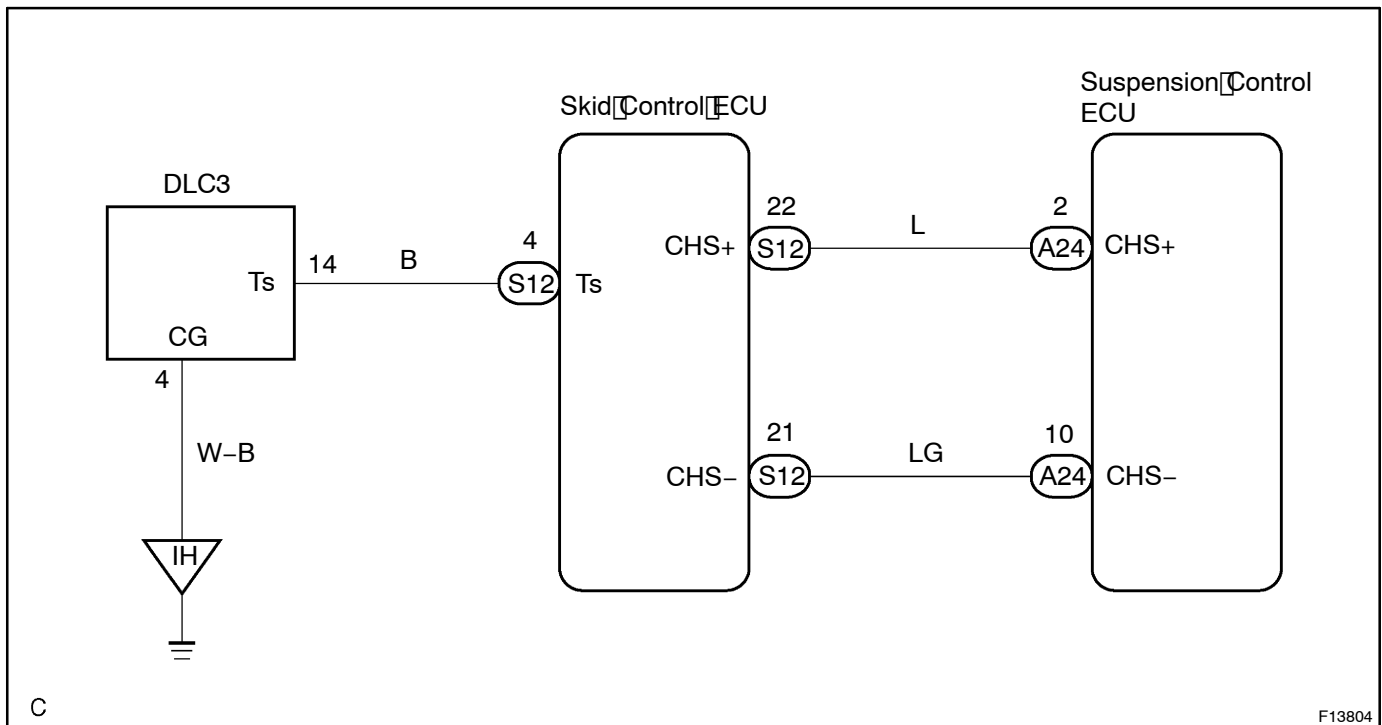


Ts Terminal Circuit

CIRCUIT DESCRIPTION

Connecting terminals Ts and CG of the DLC3 causes the ECU to display the DTC by flashing the absorber control indicator light.

WIRING DIAGRAM



INSPECTION PROCEDURE

- 1 Check Ts circuit of skid control system (See page DI-452).

NG

Repair or replace Ts circuit of skid control system.

OK

2

Check for open and short circuit in harness and connector between suspension control ECU and skid control ECU (See page IN-35).

NG

Repair or replace harness or connector.

OK

Check and replace suspension control ECU.