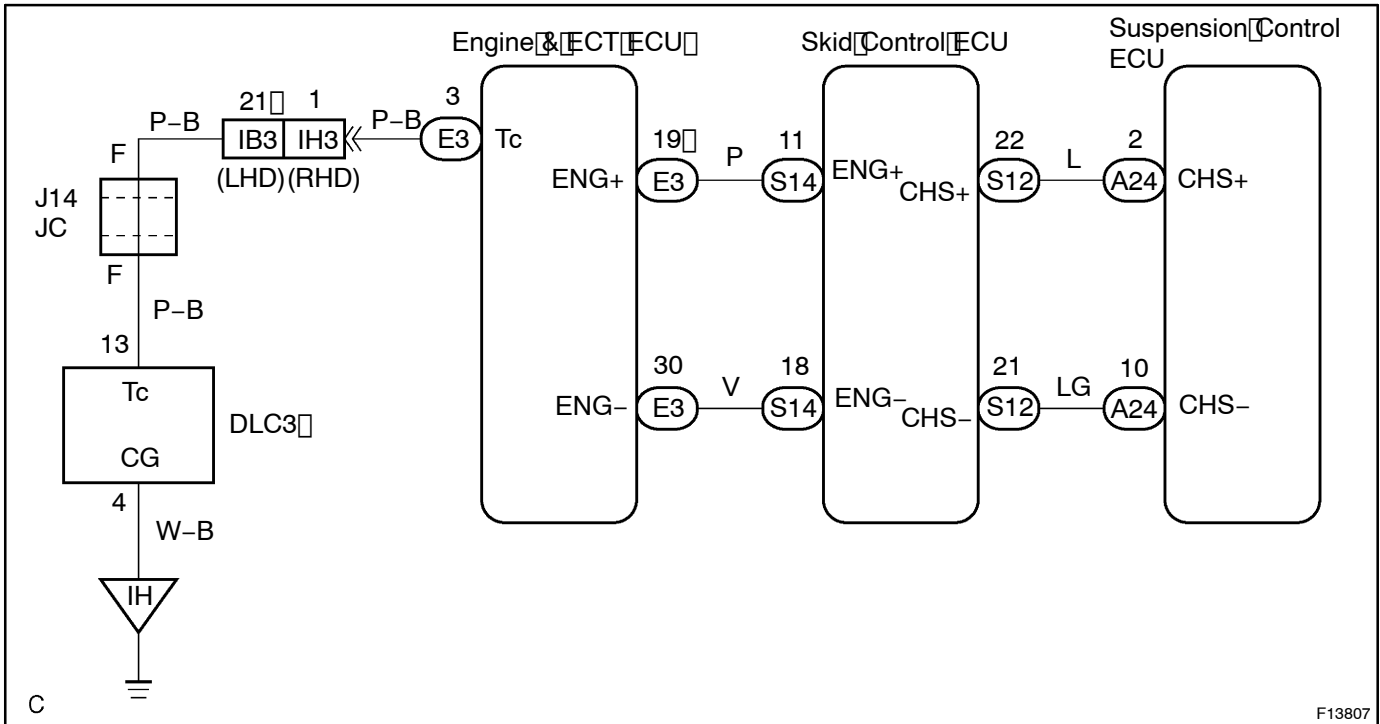


## Tc Terminal Circuit

### CIRCUIT DESCRIPTION

Connecting terminals Tc and CG of the DLC3 causes the ECU to display the DTC by flashing the absorber control indicator light.

### WIRING DIAGRAM



### INSPECTION PROCEDURE

- 1 Check Tc circuit of skid control system (See page DI-450).

NG

Repair or replace Tc circuit of skid control system.

OK

2

Check for open and short circuit in harness and connector between suspension control ECU and skid control ECU (See page IN-35).

NG

Repair or replace harness or connector.

OK

Check and replace suspension control ECU.