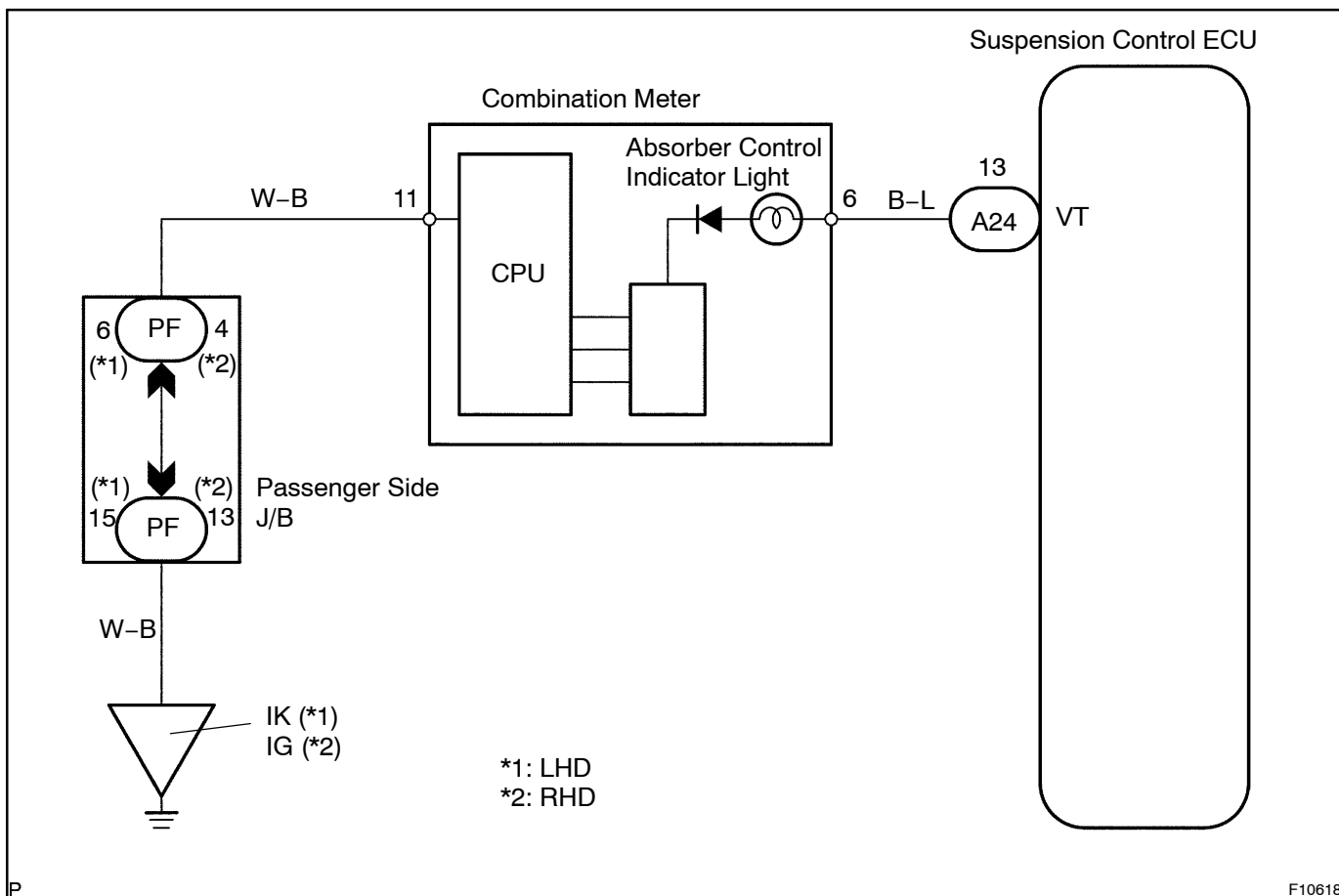


Absorber Control Indicator Light Circuit

CIRCUIT DESCRIPTION

If the ECU detects trouble, it lights the absorber control indicator and at the same time prohibits suspension control. At this time, ECU records DTC in memory.

WIRING DIAGRAM



P

F10618

INSPECTION PROCEDURE

1 Check absorber control indicator light.

CHECK:

Turn the ignition switch ON and check that the absorber control indicator light goes on for 2 seconds.

NG

Repair bulb or combination meter assembly.

OK

2 Check for open and short circuit in harness and connector between suspension control ECU and combination meter (See page IN-35).

NG

Repair or replace harness or connector.

OK

Check and replace suspension control ECU.