

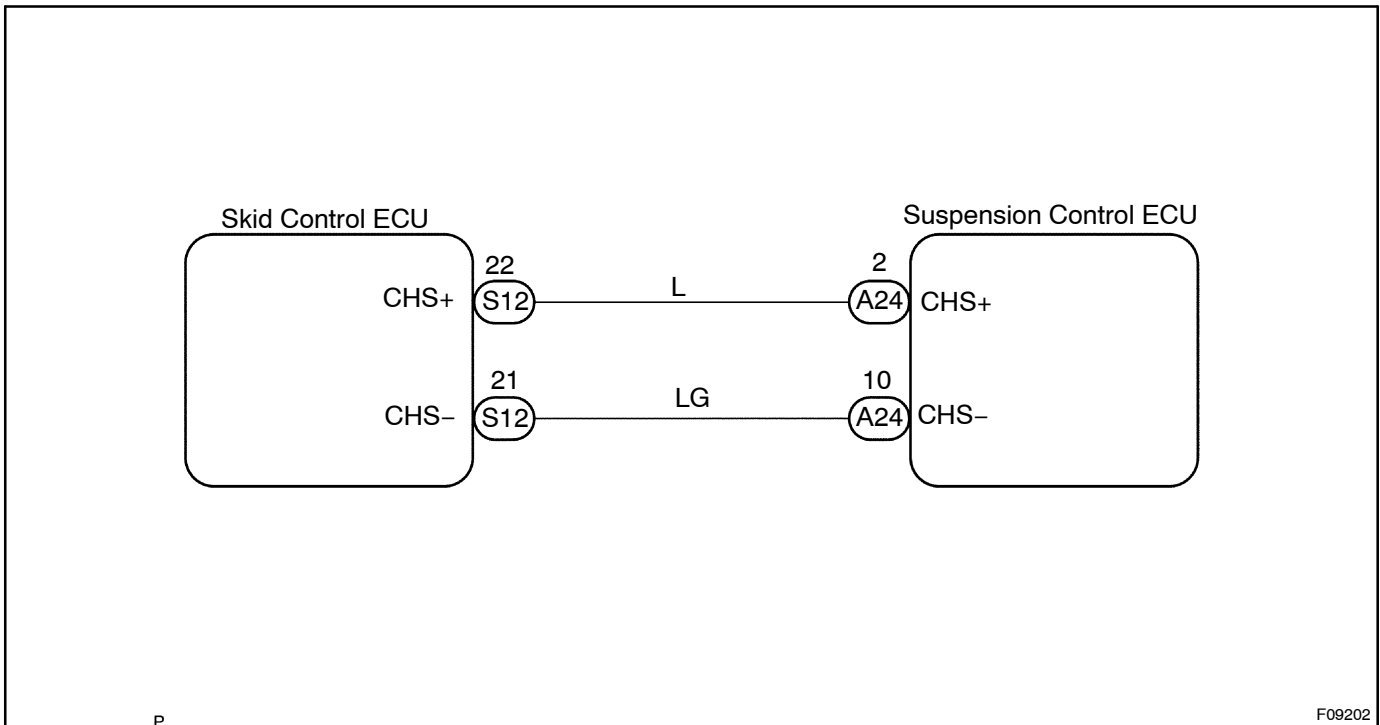
<b>DTC</b>	<b>C1778 / 78</b>	<b>Chassis ECU Communication Circuit</b>
------------	-------------------	--

**CIRCUIT DESCRIPTION**

From the skid control ECU, signals are sent directly to the suspension control ECU.

DTC No.	DTC Detecting Condition	Trouble Area
C1778 / 78	Open or short circuit in chassis ECU (skid control ECU) communication circuit	<ul style="list-style-type: none"> <li>• Skid control ECU</li> <li>• Chassis ECU communication circuit</li> <li>• Suspension control ECU</li> </ul>

**WIRING DIAGRAM**



P

F09202

**INSPECTION PROCEDURE**

- 1 Check for open and short circuit in harness and connector between suspension control ECU and skid control ECU (See page N-35).

**NG**

Repair or replace harness or connector.

**OK**

Check and replace suspension control ECU.