

<b>DTC</b>	<b>C1741 / 41</b>	<b>AIR SUS Relay Circuit</b>
------------	-------------------	------------------------------

## CIRCUIT DESCRIPTION

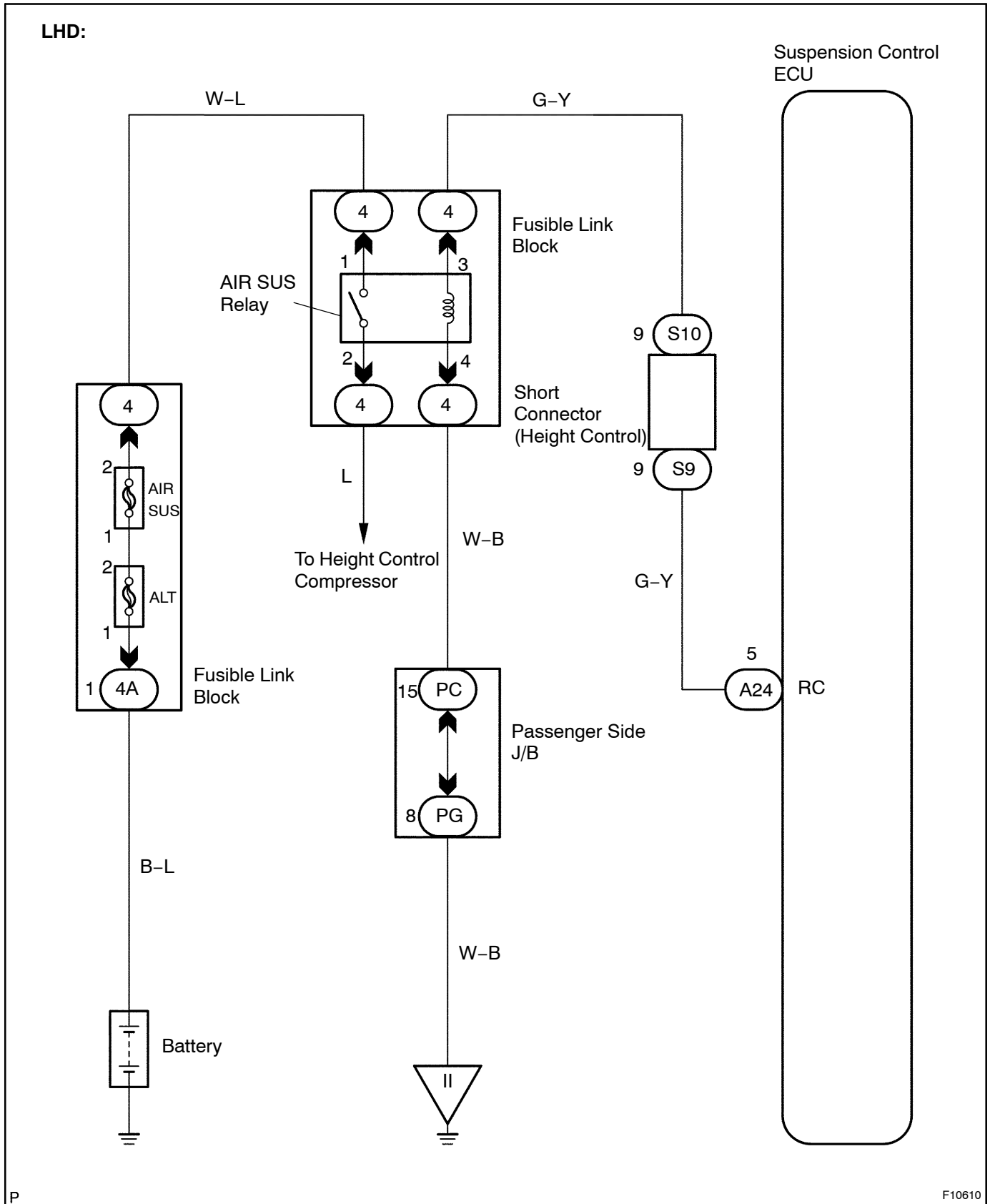
When the vehicle height starts to rise, a signal is sent from terminal RC of the ECU to switch the height control relay ON. As a result, current flows to the height control relay coil, the contacts in the relay close, and thus battery voltage is applied to the compressor, producing compressed air.

DTC No.	DTC Detecting Condition	Trouble Area
C1741 / 41	Either the condition 1. or 2. is detected. 1. With the height control relay inactivated, an open signal of height control relay is detected for 1 sec. or more. 2. With the height control relay activated, a short signal of height control relay is detected 8 times successively.	<ul style="list-style-type: none"> <li>• AIR SUS relay</li> <li>• AIR SUS relay circuit</li> <li>• Suspension control ECU</li> </ul>

Once the ECU stores DTC C1741 / 41 in memory, the vehicle height control is not carried out until a normal signal is input to the ECU from the height control relay.

The control is resumed, however, if the ignition switch is turned OFF, then ON again.

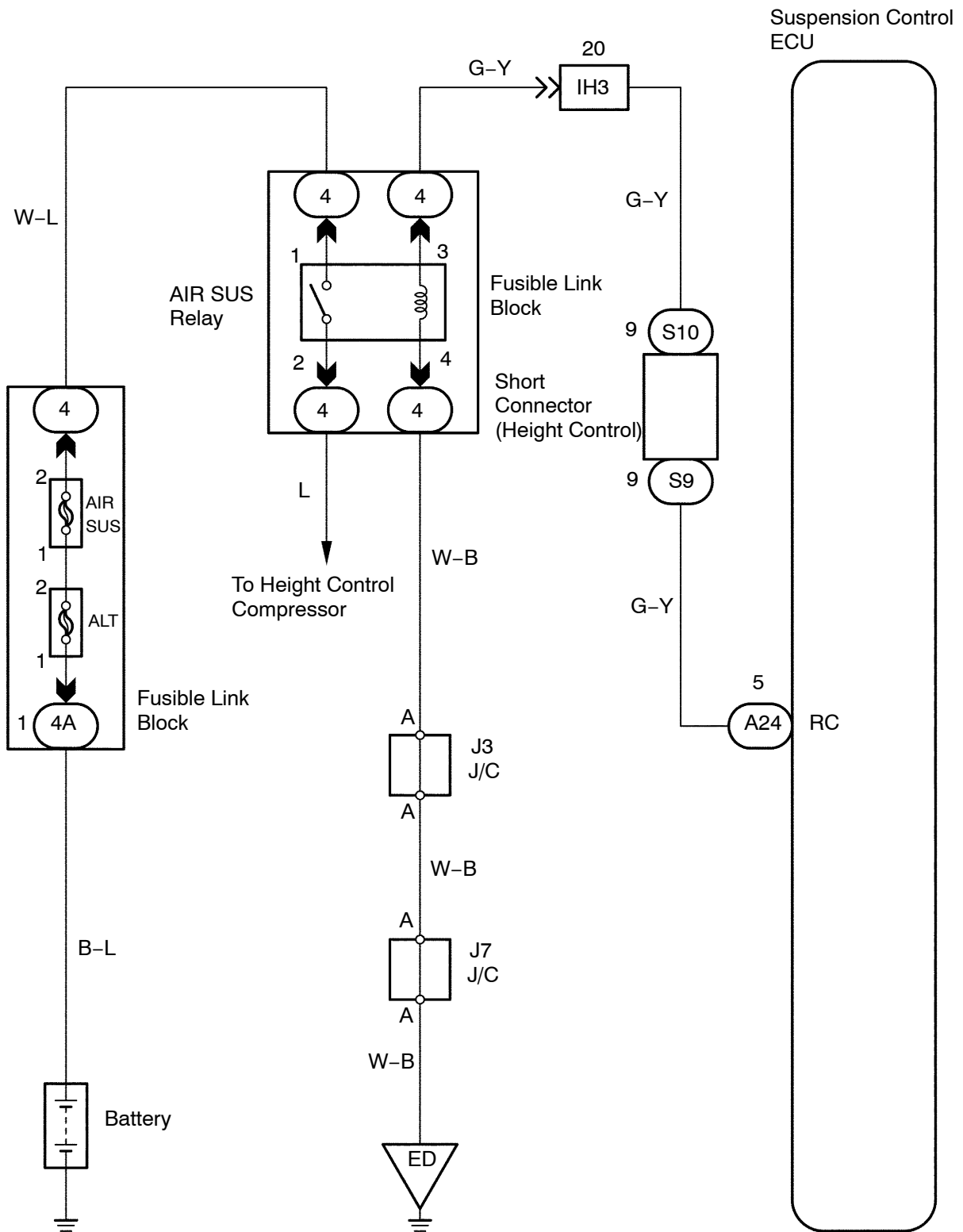
WIRING DIAGRAM



P

F10610

RHD:



## INSPECTION PROCEDURE

### HINT:

Start the inspection from step 1 in case of using the hand-held tester and start from step 2 in case of not using the hand-held tester.

### 1 Check AIR SUS relay operation.

#### PREPARATION:

- (a) Connect the hand-held tester to the DLC3.
- (b) Turn the ignition switch ON and push the hand-held tester main switch ON.
- (c) Select the ACTIVE TEST mode on the hand-held tester.

#### CHECK:

Check whether or not it makes sounds with the hand-held tester when the AIR SUS relay is in operation.

#### OK:

The AIR SUS relay makes sound when it is in operation.

NG

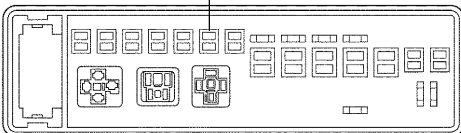
Go to step 5.

OK

### 2 Check AIR SUS fuse (fusible link block).

Fusible Link Block:

AIR SUS Fuse



P

F10585

#### PREPARATION:

Remove AIR SUS fuse from the fusible link block.

#### CHECK:

Check continuity of AIR SUS fuse.

#### OK:

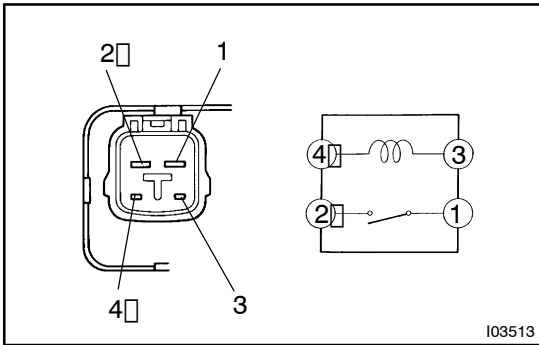
Continuity

NG

Check for short circuit in all the harness and components connected to AIR SUS fuse (See attached wiring diagram).

OK

### 3 Check AIR SUS relay (fusible link block).



#### PREPARATION:

Remove the AIR SUS height control relay from the fusible link block.

#### CHECK:

Measure resistance between terminals 3 and 4 of the AIR SUS relay.

#### OK:

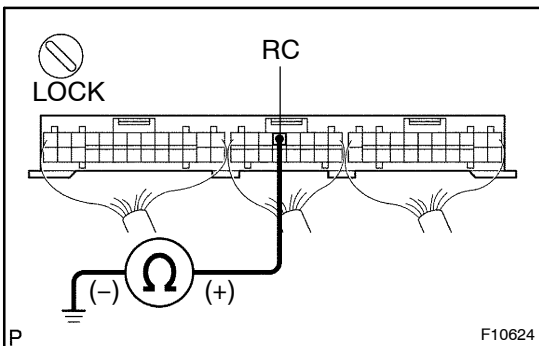
Continuity

NG

Replace AIR SUS relay.

OK

### 4 Check resistance between terminal RC of suspension control ECU connector and body ground.



#### PREPARATION:

Remove the suspension control ECU with the connectors still connected.

#### CHECK:

Measure resistance between terminal RC of the suspension control ECU connector and body ground.

#### OK:

Resistance: Continuity

OK

Proceed to next circuit inspection shown on problem symptoms table (See page DI-263).\*1

NG

\*1: When DTC C1741 / 41 is displayed, however, check and replace the suspension control ECU.

5 Check for open and short circuit in harness and connector between suspension control ECU and AIR SUS, AIR SUS relay and body ground (See page IN-35).

NG

Repair or replace harness or connector.

OK

Replace suspension control ECU.