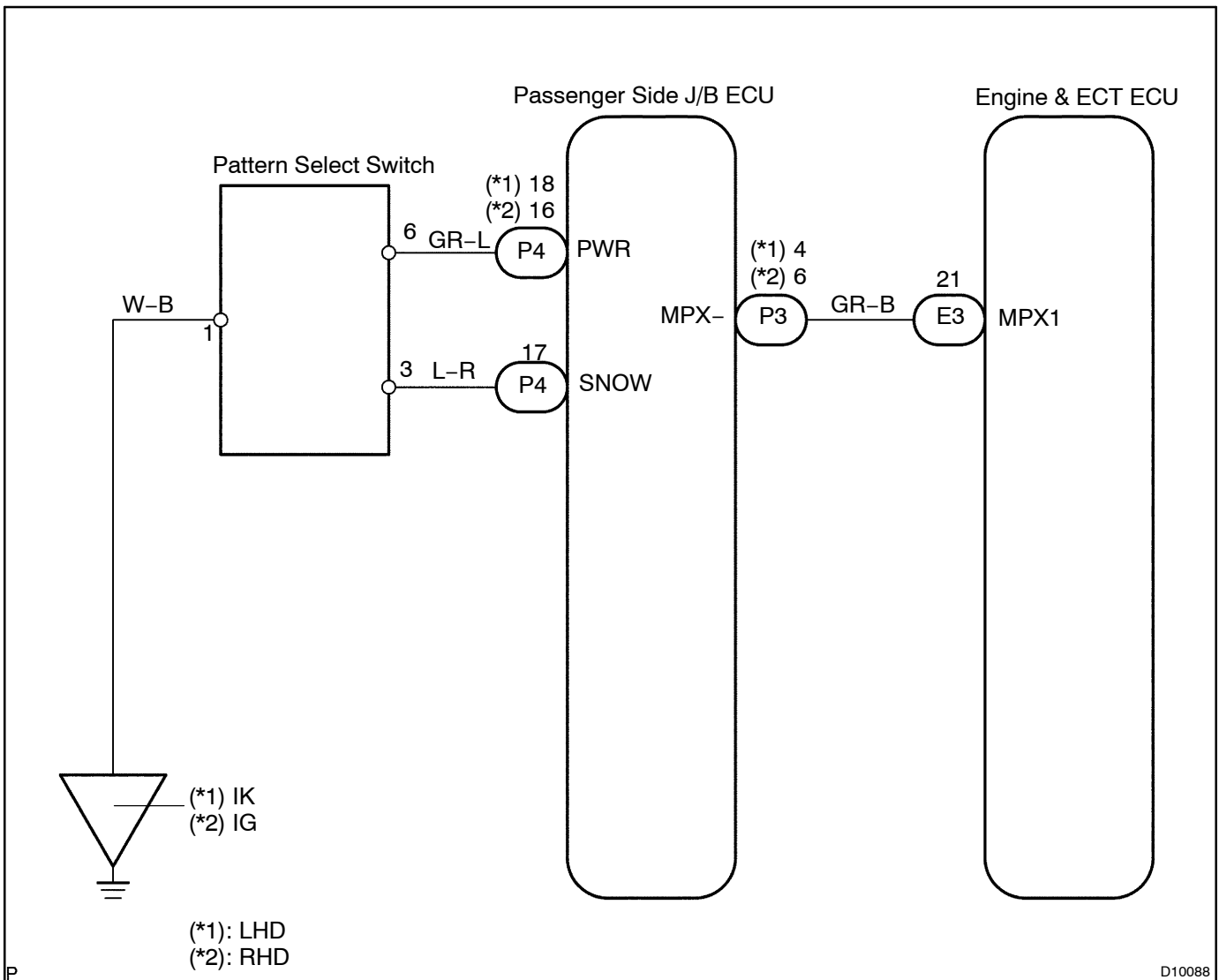


Pattern Select Switch Circuit

CIRCUIT DESCRIPTION

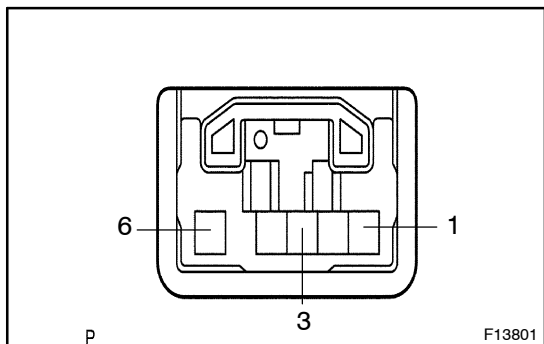
The Engine & ECT ECU memory contains the shift programs for the NORMAL, POWER and SNOW patterns, 2 range, L range and the lock-up patterns. By following the programs corresponding to the signals from the pattern select switch, the neutral start and other various sensors, the Engine & ECT ECU switches the solenoid valves ON and OFF, and controls the transmission gear change and the lock-up clutch operation.

WIRING DIAGRAM



INSPECTION PROCEDURE

1 Check pattern select switch.



PREPARATION:

Disconnect the pattern select switch connector.

CHECK:

Check continuity between each terminal of pattern select switch connector when the select switch is set to PWR, NORM or SNOW positions.

OK:

Switch condition	Tester connection	Specified condition
PWR	1 - 6	Continuity
NORM	1 - 3, 1 - 6	No continuity
SNOW	1 - 3	Continuity

If the continuity is not as specified, replace the switch.