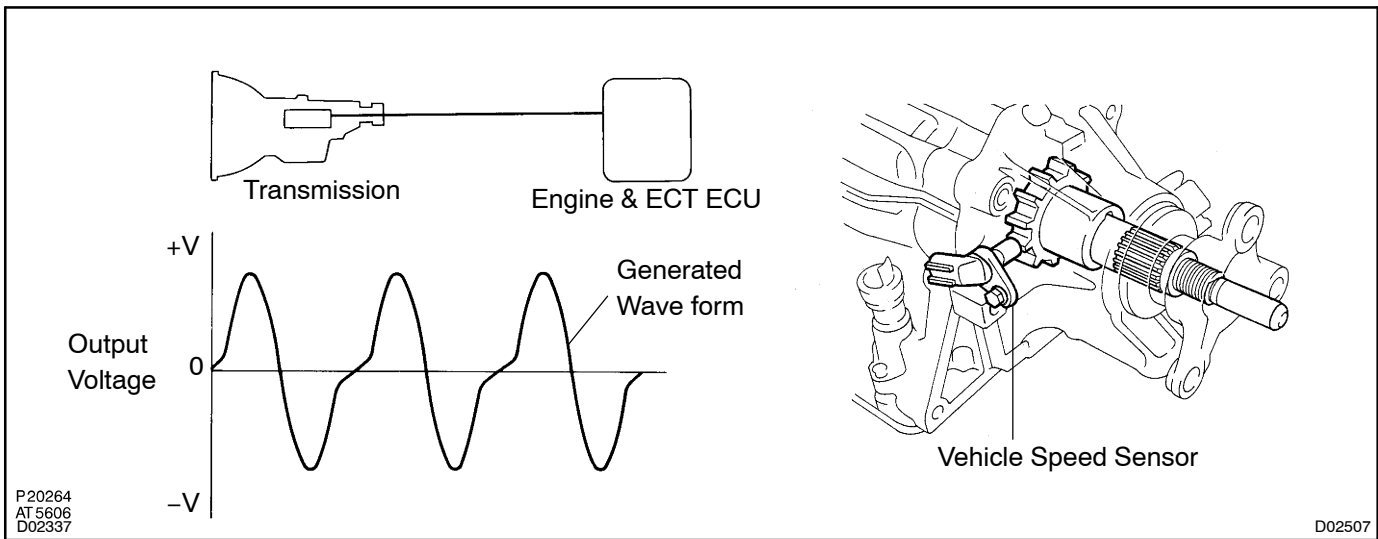


CIRCUIT INSPECTION

DTC	P0500/42	Vehicle Speed Sensor Malfunction
------------	-----------------	---

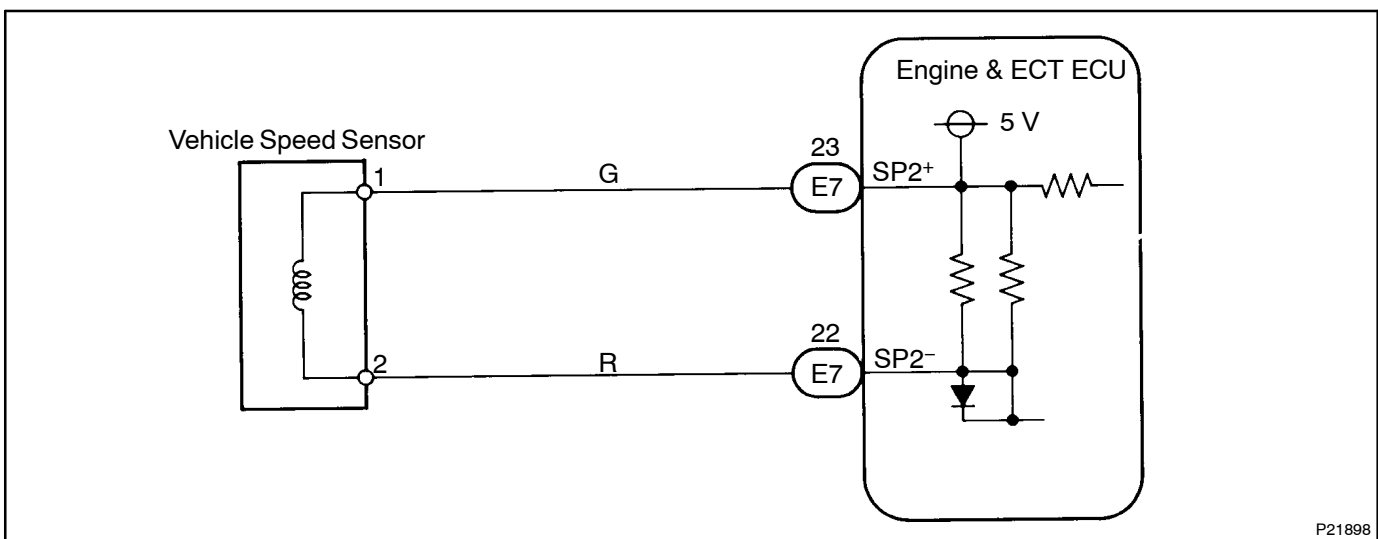
CIRCUIT DESCRIPTION

The vehicle speed sensor detects the rotation speed of the transmission output shaft and sends signals to the Engine & ECT ECU. The Engine & ECT ECU determines the vehicle speed based on these signals. An AC voltage is generated in the vehicle speed sensor coil as the rotor mounted on the output shaft rotates, and this voltage is sent to the Engine & ECT ECU.



DTC No.	DTC Detecting Condition	Trouble Area
P0500/42	No vehicle speed sensor signal to Engine & ECT ECU under conditions 1. and 2. 33.Neutral start switch is OFF 34.Vehicle is being driven	<ul style="list-style-type: none"> • Open or short in vehicle speed sensor circuit • Vehicle speed sensor • Engine & ECT ECU • Automatic transmission assembly
	Clutch or brake slips or gear broken	

WIRING DIAGRAM



INSPECTION PROCEDURE

HINT:

Read freeze frame data using hand-held tester. Because freeze frame records the engine conditions when the malfunction is detected, when troubleshooting it is useful for determining whether the vehicle was running or stopped, the engine warmed up or not, the air-fuel ratio lean or rich, etc. at the time of the malfunction.

1 Connect hand-held tester and read value of vehicle speed value.

PREPARATION:

- (a) Connect the hand-held tester to the DLC3.
- (b) Start the engine and the hand-held tester main switch ON.

CHECK:

Drive the vehicle and read vehicle speed value.

OK:

Vehicle speed matches tester speed value

NG

Check and replace Engine & ECT ECU (See page IN-35).

OK

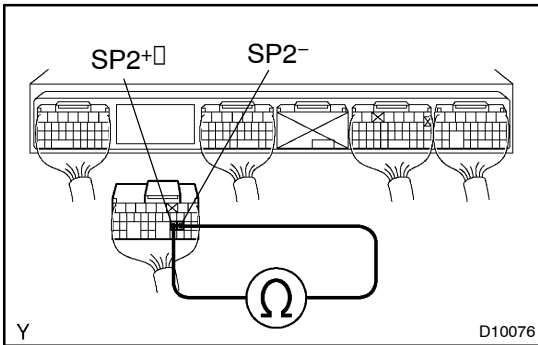
2 Check speedometer circuit (See page BE-67).

NG

Repair or replace speedometer circuit.

OK

3 Check resistance between terminals SP2+ and SP2- of Engine & ECT ECU connector.



PREPARATION:

- Remove the instrument panel under cover.
- Disconnect the connector of the Engine & ECT ECU.

CHECK:

Check resistance between terminals SP2+ and SP2- of the Engine & ECT ECU connector.

OK:

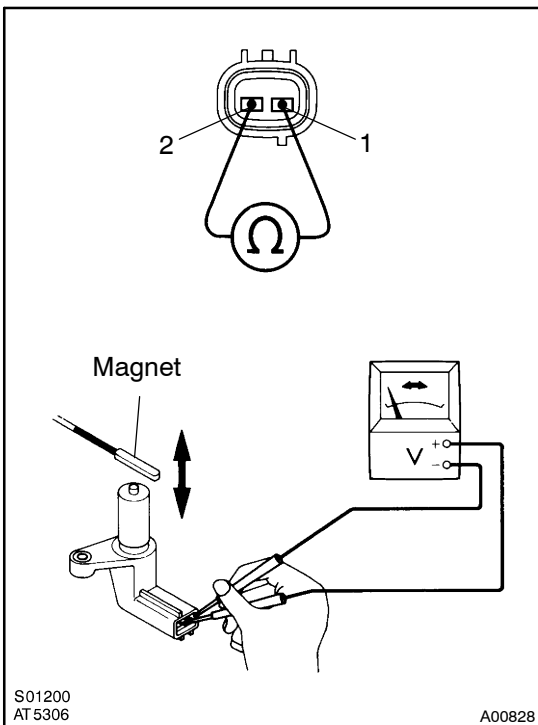
Resistance: 560 – 680 Ω at 20 °C (68 °F)

OK

Check and replace Engine & ECT ECU (See page IN-35).

NG

4 Check vehicle speed sensor.



PREPARATION:

Remove the vehicle speed sensor from the transmission.

CHECK:

Measure resistance between terminals 1 and 2 of the speed sensor.

OK:

Resistance: 560 – 680 Ω at 20 °C (68 °F)

Reference: Check vehicle speed sensor's function

CHECK:

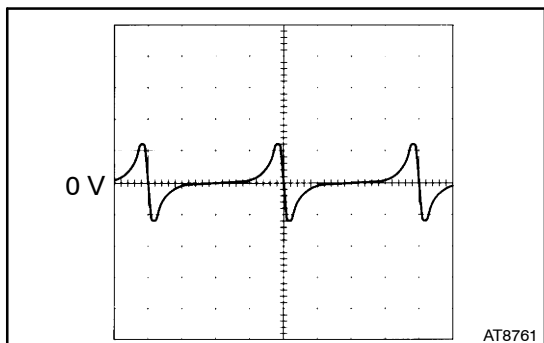
Check voltage between terminals 1 and 2 of the vehicle speed sensor when a magnet is put close to front end of the vehicle speed sensor then taken away quickly.

OK:

Voltage is generated intermittently

HINT:

The generated voltage is extremely low.

**Reference: INSPECTION USING OSCILLOSCOPE**

Refer to the chart for wave form between terminals SP2+ and SP2-. When the vehicle speed is approx. 60 km/h (37 mph).

NG

Replace vehicle speed sensor.

OK

5 Check and repair harness and connector between Engine & ECT ECU and vehicle speed sensor (See page IN-35).

NG

Replace or repair wire harness or connector.

OK

Check and repair the transmission (clutch, brake or gear etc.).