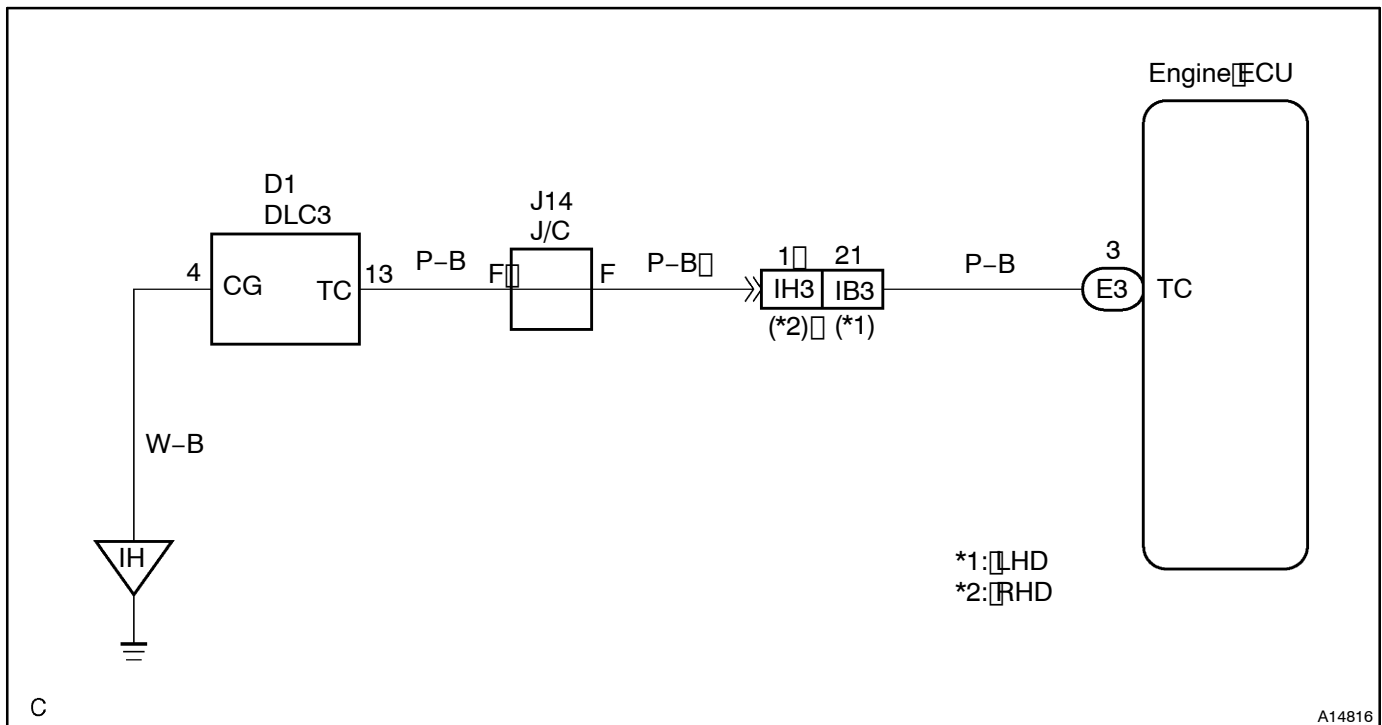


## TC Terminal Circuit

### CIRCUIT DESCRIPTION

Terminal TC and CG are located in the DLC3. When connecting these terminals, DTCs in normal mode or test mode can be read through the check engine warning light in combination meter by flashing it.

### WIRING DIAGRAM

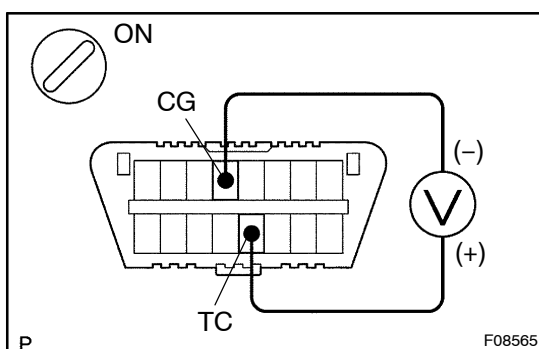


### INSPECTION PROCEDURE

#### HINT:

- Even though terminal TC is not connected with terminal CG, the check engine warning light blinks.
- For the above phenomenon, an open or short in the wire harness, or malfunction inside the engine ECU is the likely cause.

#### 1 Check voltage between terminals TC and CG of DLC3.



#### PREPARATION:

Turn the ignition switch ON.

#### CHECK:

Measure the voltage between terminals TC and CG of the DLC3.

#### OK:

Voltage: 9 - 14 V

OK

Check and replace engine ECU  
(See page IN-35).

NG

2 Check continuity between terminal CG of DLC3 and body ground.

NG

Repair or replace harness or connector.

OK

3 Check for open and short circuit in harness and connector between engine ECU and DLC3, and DLC3 and body ground (See page IN-35).

NG

Repair or replace harness or connector.

OK

Check and replace engine ECU  
(See page IN-35).