

ECU Power Source Circuit

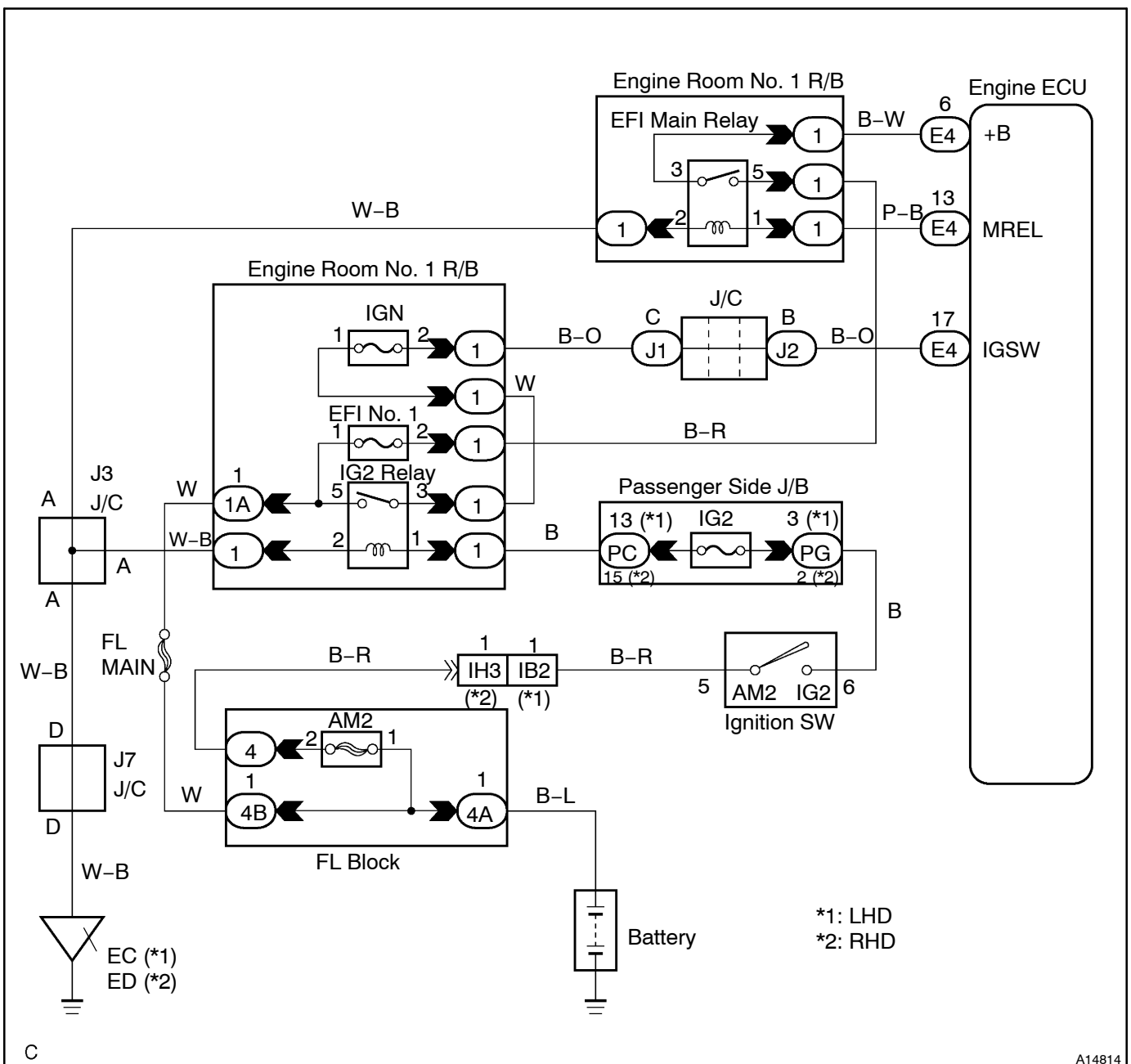
CIRCUIT DESCRIPTION

When the ignition switch is turned ON, battery positive voltage is applied to the terminal IGSW of the engine ECU and the EFI main relay (Making: EFI) control circuit in the engine ECU sends a signal to the terminal MREL of the engine ECU switching on the EFI main relay.

This signal causes current to flow to the coil, closing the contacts of the EFI main relay and supplying power to the terminals +B of the engine ECU.

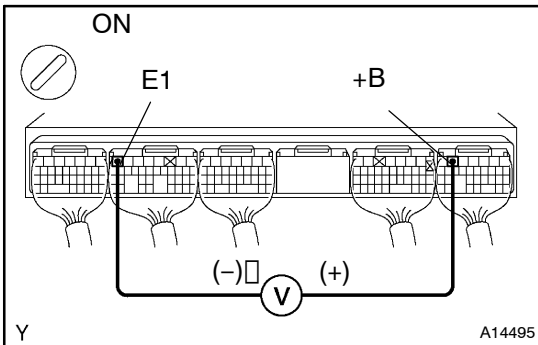
If the ignition switch is turned off, the engine ECU continues to switch on the EFI main relay for a maximum of 2 seconds for the initial setting of the ISC valve.

WIRING DIAGRAM



INSPECTION PROCEDURE

1 Check voltage between terminals +B and E1 of engine ECU connector.

**PREPARATION:**

- (a) Remove the engine room ECU cover.
 (b) Turn the ignition switch ON.

CHECK:

Measure voltage between terminals +B and E1 of the engine ECU connector.

OK:

Voltage: 9 - 14 V

OK

Proceed to next circuit inspection shown on Problem symptoms table (See page DI-25).

NG

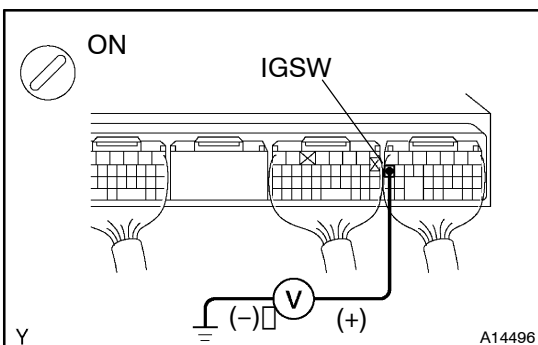
2 Check for open in harness and connector between terminal E1 of engine ECU and body ground (See page IN-35).

NG

Repair or replace harness or connector.

OK

3 Check voltage between terminal IGSW of engine ECU connector and body ground.

**PREPARATION:**

Turn the ignition switch ON.

CHECK:

Measure voltage between terminal IGSW of the engine ECU and body ground.

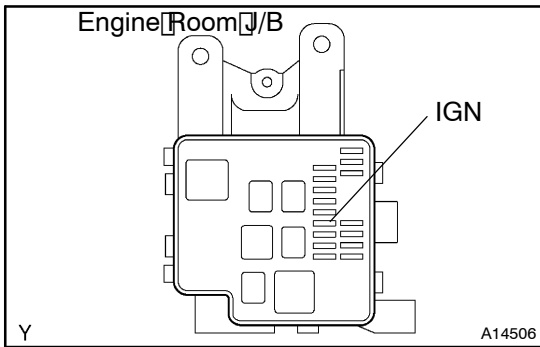
OK:

Voltage: 9 - 14 V

OK

Go to step 7.

NG

4 Check IGN fuse.**PREPARATION:**

Remove the IGN fuse from the instrument panel/J/B.

CHECK:

Check continuity of the IGN fuse.

OK:

Continuity

NG

Check for short in all harness and components connected to IGN fuse.

OK

5 Check IG2 relay (Marking: IG2) (See page DI-118).

NG

Replace IG2 relay.

OK

6 Check ignition switch (See page BE-30).

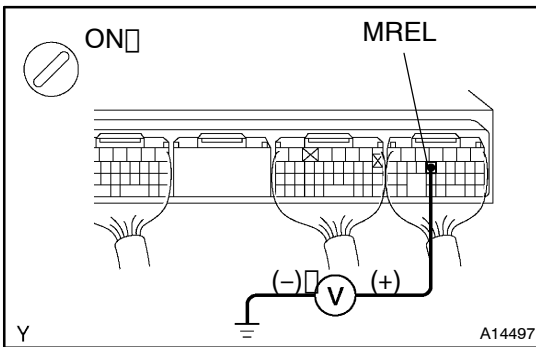
NG

Replace ignition switch.

OK

Check and repair harness and connector between battery and ignition switch, ignition switch and engine ECU.

7 Check voltage between terminal MREL of engine ECU connector and body ground.

**PREPARATION:**

Turn the ignition switch ON.

CHECK:

Measure voltage between terminal MREL of the engine ECU connector and body ground.

OK:

Voltage: 9 - 14 V

NG

Check and replace engine ECU (See page IN-35).

OK

8 Check EFI fuse of engine room R/B (See page DI-139).

NG

Check for short in all harness and components connected to EFI fuse.

OK

9 Check EFI main relay (Marking: EFI) (See page FI-57).

NG

Replace EFI main relay (Marking: EFI).

OK

10	Check for open and short in harness and connector between terminal MREL of engine ECU and body ground (See page IN-35).
----	---

NG

Repair and replace harness or connector.

OK

Check and repair harness or connector between EFI No.1 fuse and battery.