

DTC	P1600/96	ECM BATT Malfunction
------------	-----------------	-----------------------------

CIRCUIT DESCRIPTION

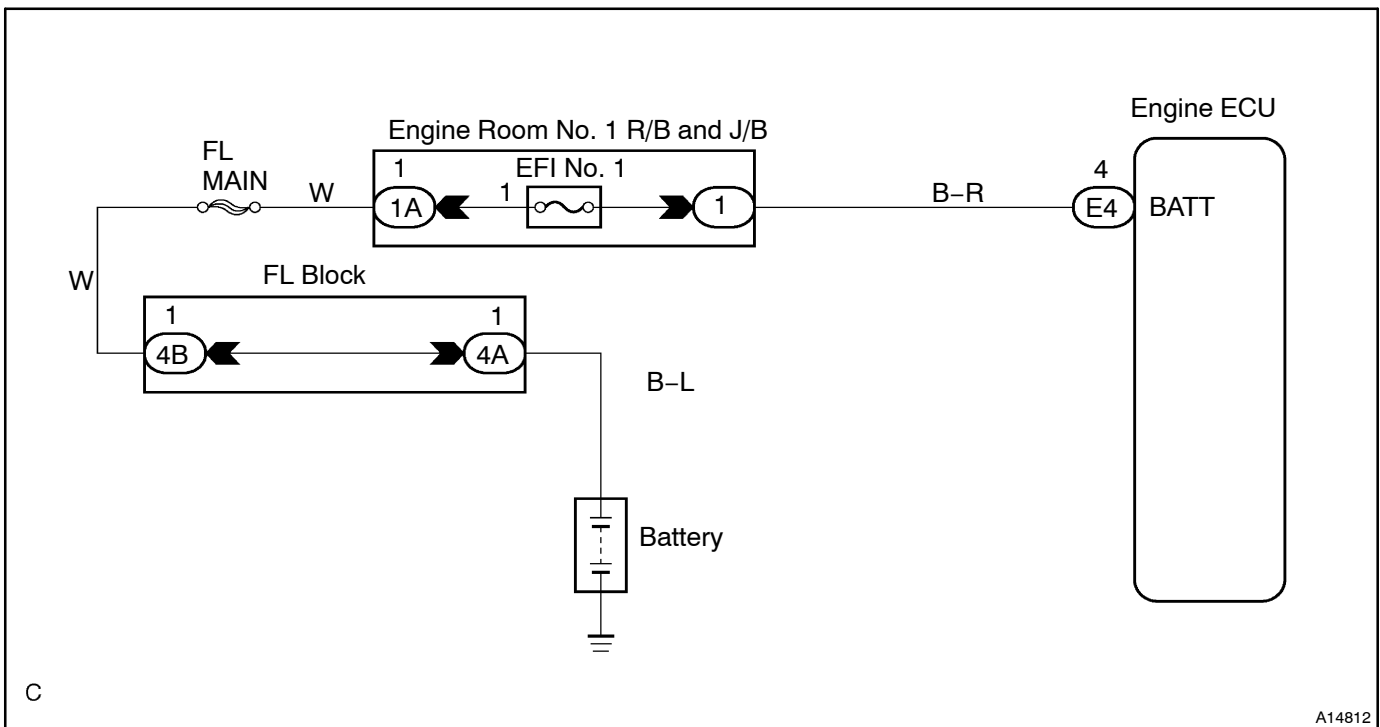
Battery positive voltage is supplied to terminal BATT of the engine ECU even when the ignition switch is OFF for use by the DTC memory and air-fuel ratio adaptive control value memory, etc.

DTC No.	DTC Detecting Condition	Trouble Area
P1600/96	Open in back up power source circuit	<ul style="list-style-type: none"> • Open in back up power source circuit • Engine ECU

HINT:

If DTC P1600/96 appear, the engine ECU does not store another DTC.

WIRING DIAGRAM

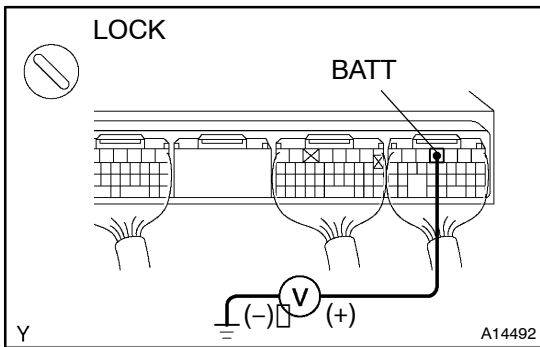


INSPECTION PROCEDURE

HINT:

Read freeze frame data using hand-held tester. Because freeze frame records the engine conditions when the malfunction is detected, when troubleshooting it is useful for determining whether the vehicle was running or stopped, the engine was warmed up or not, the air-fuel ratio was lean or rich, etc. at the time of the malfunction.

1 Check voltage between terminal BATT of engine ECU connector and body ground.



PREPARATION:

Remove the engine room ECU cover.

CHECK:

Measure voltage between terminal BATT of the engine ECU connector and body ground.

OK:

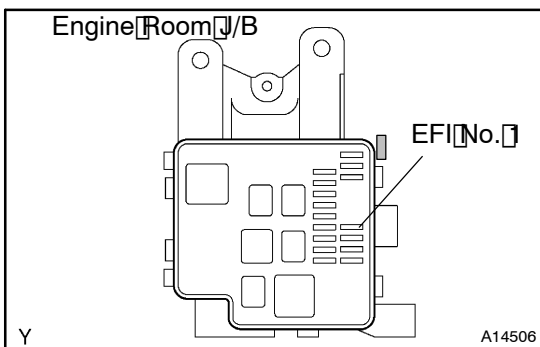
Voltage: 9 - 14 V

OK

Check and replace engine ECU (See page IN-35).

NG

2 Check EFI fuse.



PREPARATION:

Remove the EFI fuse from the engine room R/B.

CHECK:

Check continuity of EFI fuse.

OK:

Continuity

NG

Check for short in all harness and components connected to EFI fuse.

OK

Check and repair harness or connector between battery, EFI fuse and engine ECU (See page IN-35).