

# CIRCUIT INSPECTION

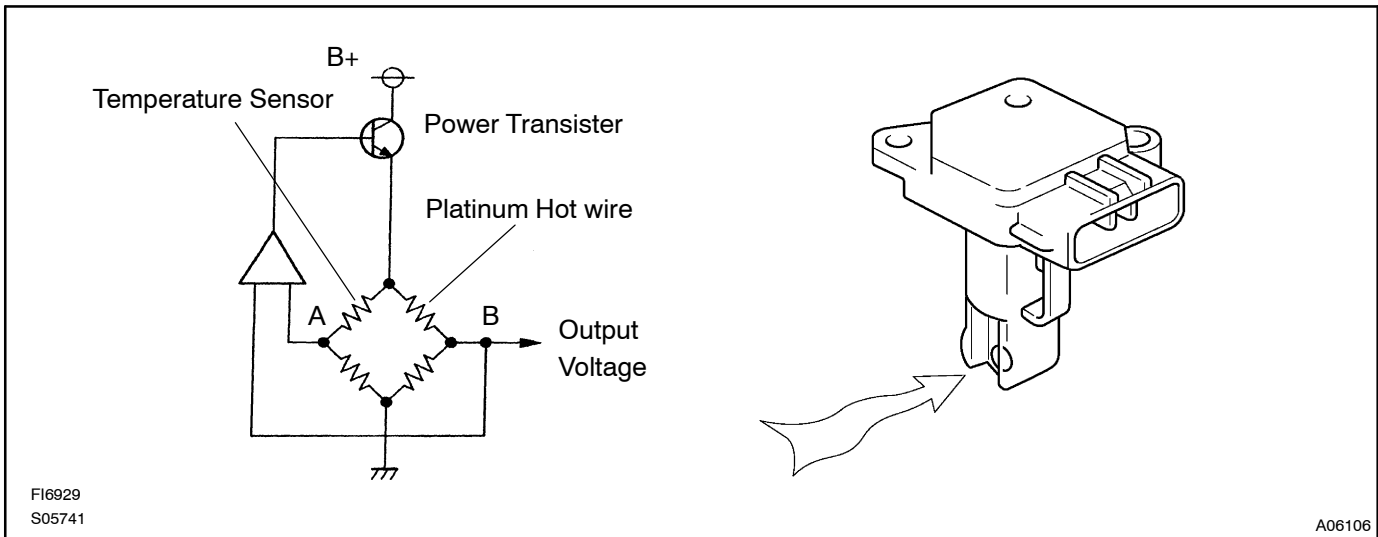
<b>DTC</b>	<b>P0100/31</b>	<b>Mass Air Flow Circuit Malfunction</b>
------------	-----------------	--

## CIRCUIT DESCRIPTION

The air flow meter uses a platinum hot wire. The hot wire air flow meter consists of a platinum hot wire, temperature sensor and a control circuit installed in a plastic housing. The hot wire air flow meter works on the principle that the hot wire and temperature sensor located in the intake air bypass of the housing detect any changes in the intake air temperature.

The hot wire is maintained at the set temperature by controlling the current flow through the hot wire. This current flow is then measured as the output voltage of the air flow meter.

The circuit is constructed so that the platinum hot wire and temperature sensor provide a bridge circuit, with the power transistor controlled so that the potential of A and B remains equal to maintain the set temperature.



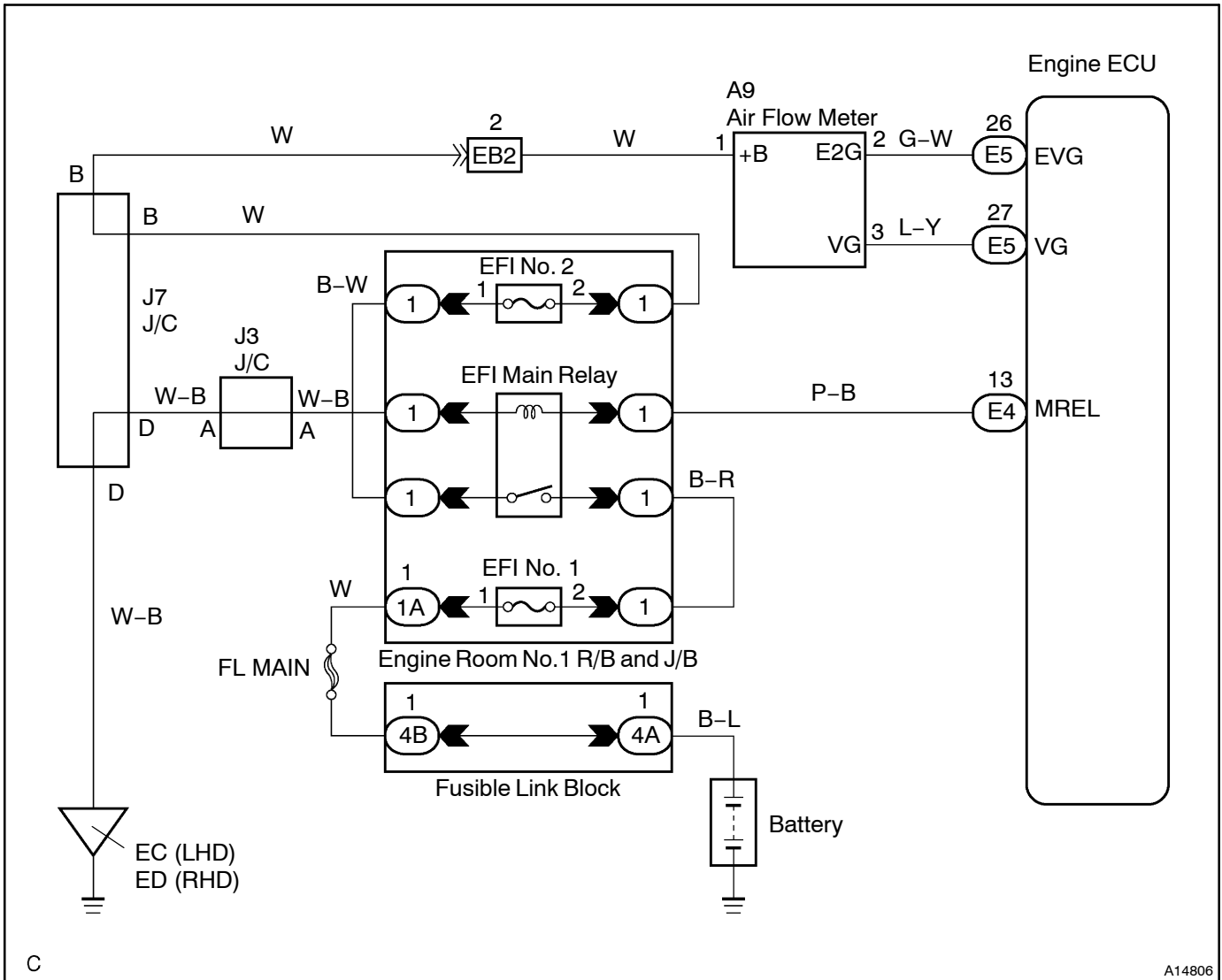
DTC No.	DTC Detecting Condition	Trouble Area
P0100/31	Open or short in air flow meter circuit with more than 3 sec. engine speed less than 4,000 rpm	<ul style="list-style-type: none"> <li>• Open or short in air flow meter circuit</li> <li>• Air flow meter</li> <li>• Engine ECU</li> </ul>

**HINT:**

After confirming DTC P0100/31 use the hand-held tester to confirm the air flow ratio from CURRENT DATA.

Air Flow Value (gm/sec.)	Malfunction
Approx. 0.0	<ul style="list-style-type: none"> <li>• Air flow meter power source circuit open</li> <li>• VG circuit open or short</li> </ul>
271.0 or more	<ul style="list-style-type: none"> <li>• EVG circuit open</li> </ul>

## WIRING DIAGRAM



## INSPECTION PROCEDURE

## When using hand-held tester:

## HINT:

Read freeze frame data using hand-held tester. Because freeze data frame records the engine conditions when malfunction is detected, when troubleshooting it is useful for determining whether the vehicle was running or stopped, the engine warmed up or not, the air-fuel ratio lean or rich, etc. at the time of the malfunction.

- |   |   |
|---|---|
| 1 | <b>Connect hand-held tester, and read value of air flow rate.</b> |
|---|---|

**PREPARATION:**

- Connect the hand-held tester to the DLC3.
- Turn the ignition switch ON and push the hand-held tester main switch ON.
- Start the engine.

**CHECK:**

Read air flow rate on the hand-held tester.

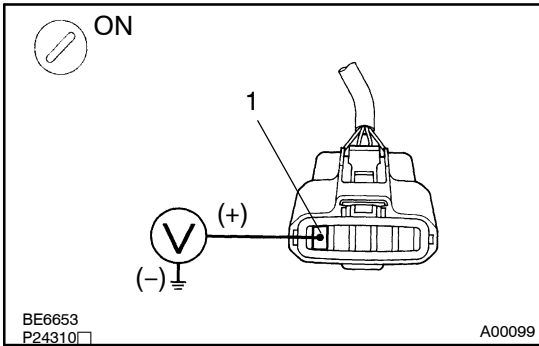
**RESULT:**

	Type I	Type II
Air flow rate (gm/sec.)	0.0	271.0 or more

Type I → Go to step 2.

Type II → Go to step 5.

**2 Check voltage of air flow meter power source.**



**PREPARATION:**

- (a) Disconnect the air flow meter connector.
- (b) Turn the ignition switch ON.

**CHECK:**

Measure the voltage between terminal 1 of the air flow meter connector and body ground.

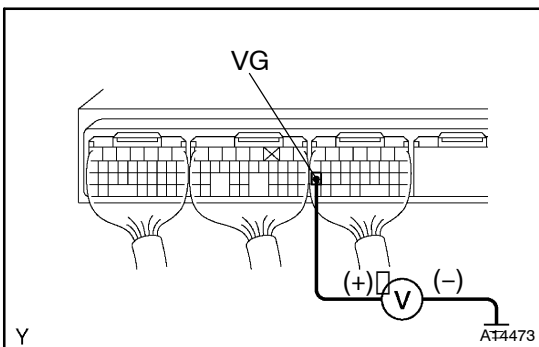
**OK:**

Voltage: 9 - 14 V

NG → Check for open in harness and connector between EFI main relay (Marking: EFI) and air flow meter (See page IN-35).

OK

**3 Check voltage between terminals VG of engine ECU connector and body ground.**



**PREPARATION:**

- (a) Remove the engine room ECU cover.
- (b) Start the engine.

**CHECK:**

Measure the voltage between terminal VG of the engine ECU connector and body ground while engine is idling.

**OK:**

Voltage: 0.5 - 3.0 V (P or N position and A/C switch OFF)

OK → Check and replace engine ECU (See page IN-35).

NG

- 4 Check for open and short in harness and connector between air flow meter and engine ECU (See page IN-35).

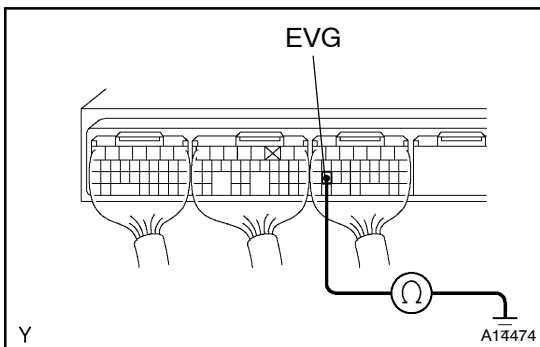
NG

Repair or replace harness or connector.

OK

Replace air flow meter.

- 5 Check continuity between terminal EVG of engine ECU connector and body ground.

**PREPARATION:**

Remove the engine room ECU cover.

**CHECK:**

Check continuity between terminal EVG of the engine ECU connector and body ground.

**OK:**Continuity (1  $\Omega$  or less)

NG

Check and replace engine ECU (See page IN-35).

OK

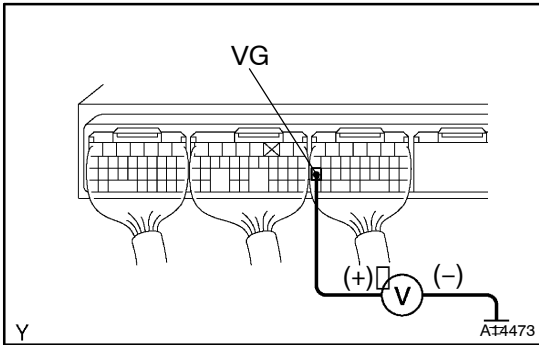
- 6 Check for open in harness and connector between air flow meter and engine ECU (See page IN-35).

NG

Repair or replace harness or connector.

OK

Replace air flow meter.

**When not using hand-held tester:****1 Check voltage between terminals VG of engine ECU connector and body ground.****PREPARATION:**

- (a) Remove the engine room ECU cover.
- (b) Start the engine.

**CHECK:**

Measure the voltage between terminal VG of the engine ECU connector and body ground while engine is idling.

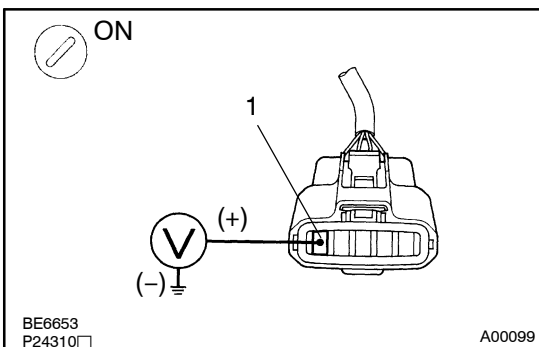
**OK:****Voltage:**

**0.5 - 3.0 V (P or N position and A/C switch OFF)**

OK

**Check and replace engine ECU (See page IN-35).**

NG

**2 Check voltage of air flow meter power source.****PREPARATION:**

- (a) Disconnect the air flow meter connector.
- (b) Turn the ignition switch ON.

**CHECK:**

Measure the voltage between terminal 1 of the air flow meter connector and body ground.

**OK:**

**Voltage: 9 - 14 V**

NG

**Check for open in harness and connector between EFI main relay (Marking: EFI) and air flow meter (See page IN-35).**

OK

3 Check for open in harness and connector between air flow meter and engine ECU (See page IN-35).

NG

Repair or replace harness or connector.

OK

Replace air flow meter.