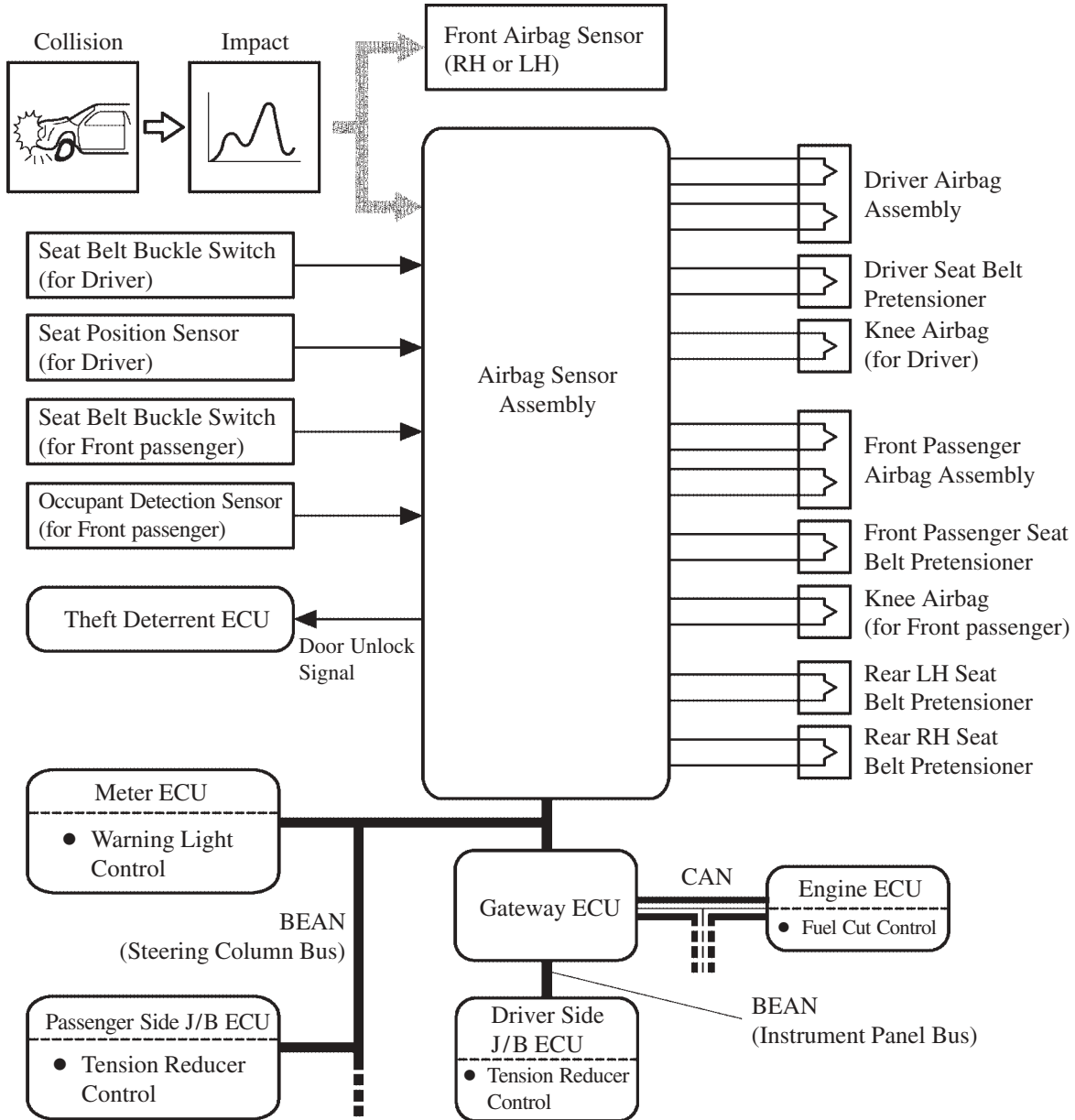


### 3. Airbag for Frontal Collision

There are three airbags for severe frontal collisions: driver, front passenger and knee (for the driver and front passenger). These airbags deploy simultaneously.

#### ► System Operation ◀



260LS111

#### Service Tip

- In accordance with the structure change of the driver and front passenger inflators on new LS430, a SST (09082-00802) used for scrapping of driver side and a SST (09082-00780) used for scrapping of front passenger airbag have been adopted newly.
- A SST (09082-00802) used for scrapping of knee airbag has been adopted.