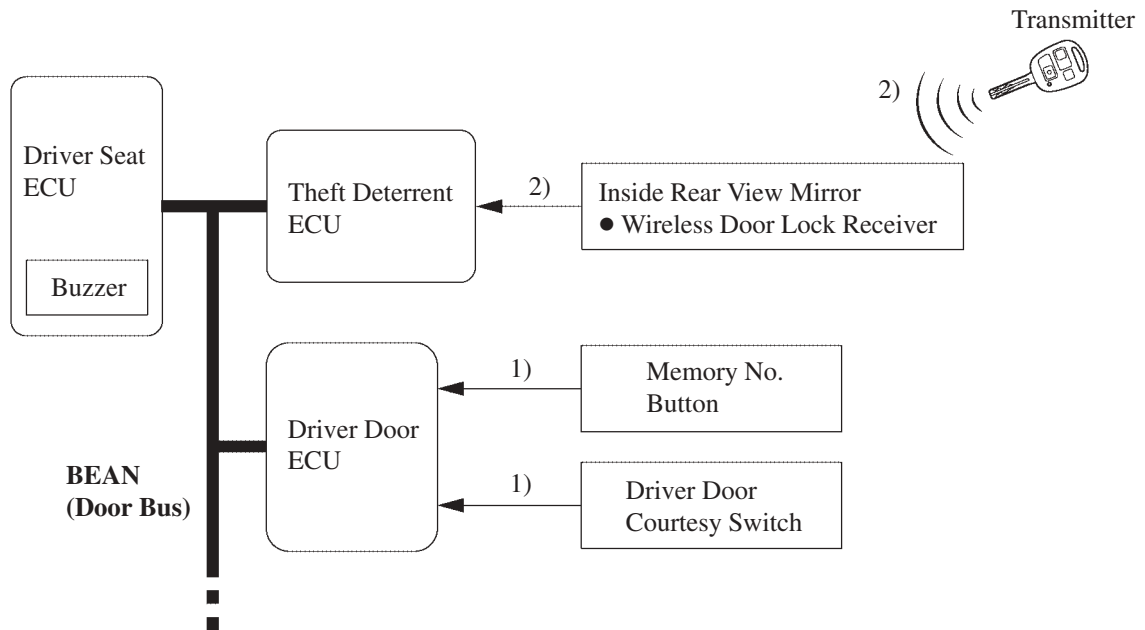


3. Operation

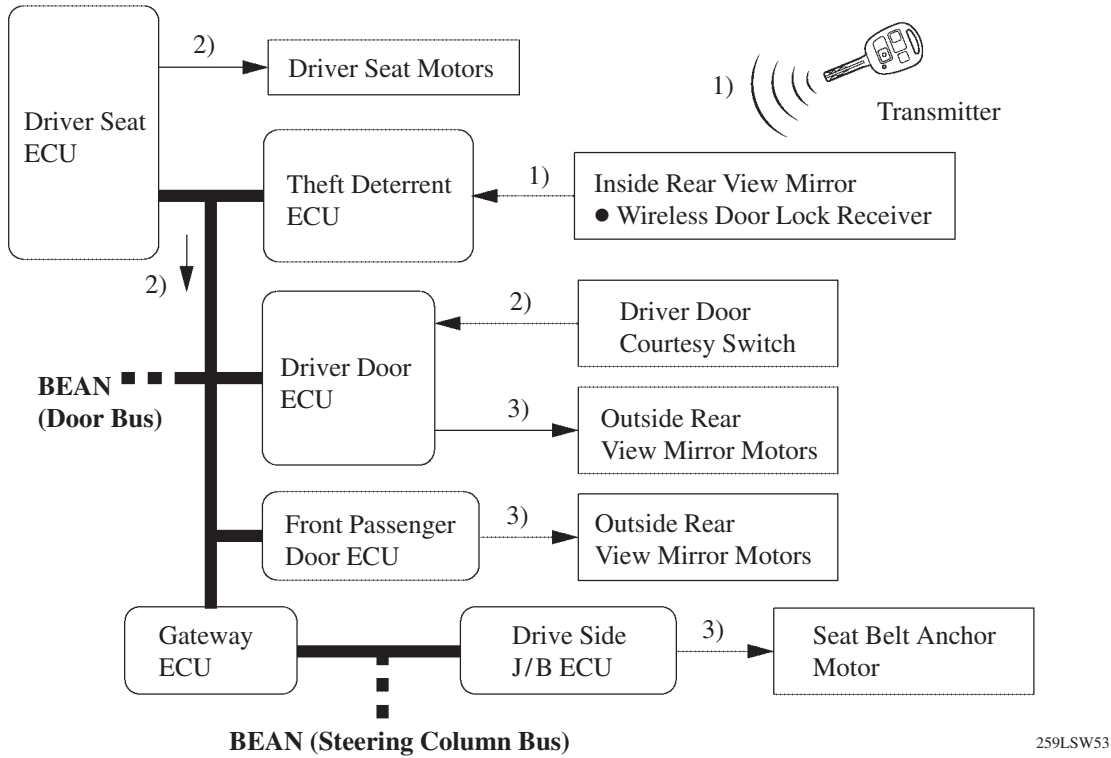
Memory Registration

- 1) The driver seat ECU moves to the key ID registration mode, if the memory No. (1, 2, or 3) button is pressed with the ignition switch OFF and driver door closed.
- 2) In this condition, when LOCK or UNLOCK button in a transmitter is pressed, the key ID is transmitted from the theft deterrent ECU to the driver seat ECU.
- 3) The driver seat ECU records the key ID, and each position into the memory No. (1, 2, or 3) button.
- 4) When the driver seat ECU completes recording, it beeps buzzer in the driver seat ECU once as an answer back.



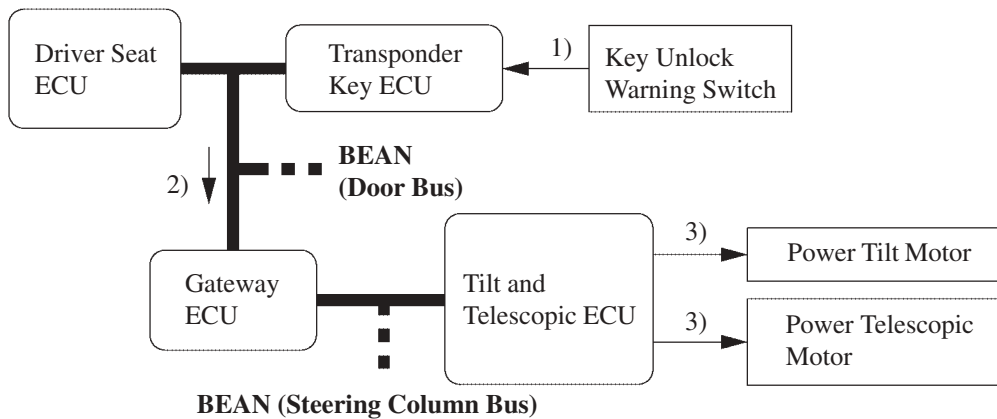
When driver door is opened

- 1) When the theft deterrent ECU receives the key ID from the transmitter, it transmits the key ID to the driver seat ECU.
- 2) If the driver door is opened, the driver seat ECU outputs key IF memory restoration signal from the theft deterrent ECU to each ECU and activates the driver seat motors.
- 3) When each ECU receives this signal, activates each actuator.



When key is inserted into the key cylinder

- 1) If the key is inserted into the key cylinder, the transponder key ECU transmits the key unlock warning switch signal to the driver seat ECU.
- 2) When the driver seat ECU receives this signal, it outputs the restoration signal to the tilt and telescopic ECU.
- 3) When the tilt and telescopic ECU receives this signal, it activates the power tilt and telescopic motors.



Memory Call Cancel

- 1) If the SET button is pressed when the ignition switch is OFF and driver door is closed, the driver seat ECU moves to the memory call cancel mode.
- 2) In this condition, when LOCK or UNLOCK button in a transmitter is pressed, the key ID is transmitted from the theft deterrent ECU to the driver seat ECU.
- 3) If the key ID has already been registered, the driver seat ECU will cancel the key ID memory call function. To perform key ID memory call function again, it is necessary to register the key ID.
- 4) When the driver seat ECU completes switching, it beeps buzzer in the driver seat ECU twice as an answer back.

