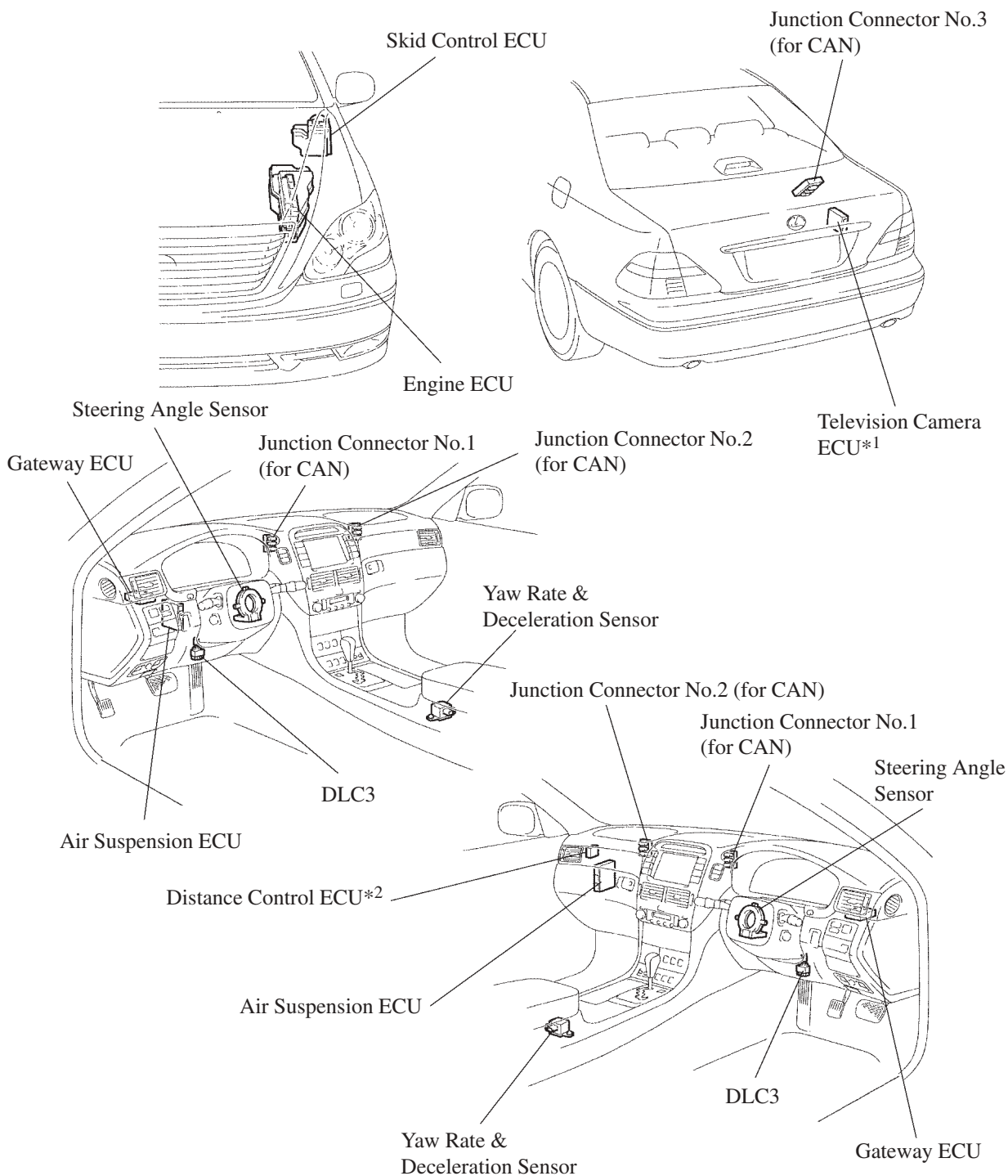


2. Layout of Main Component

CAN (Controller Area Network)

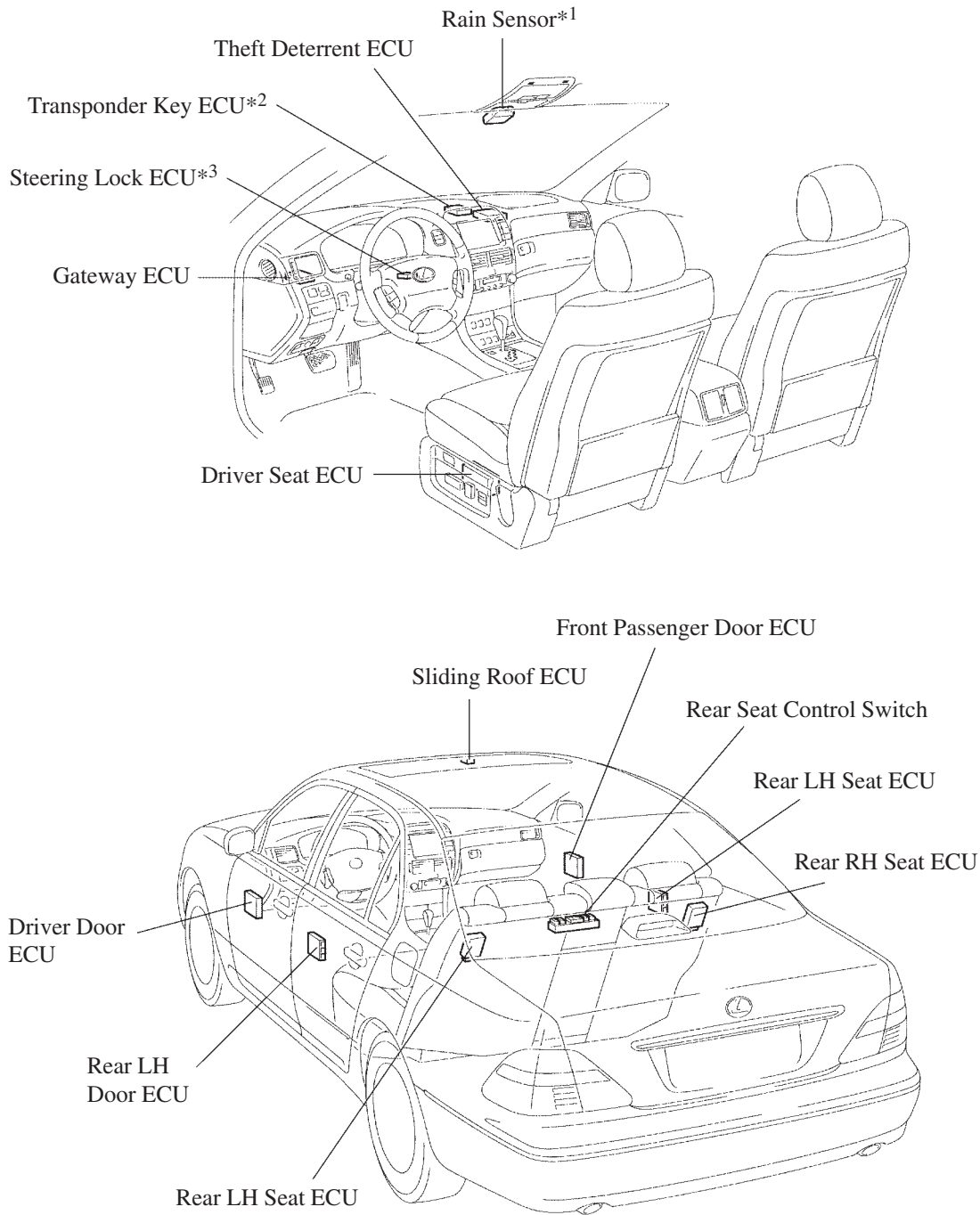


*1: with Rear View Monitor Function/Back Guide Monitor Function

*2: with Dynamic Laser Cruise Control System (only for Australia Model)

BEAN (Body Electronics Area Network)

► Door Bus ◀

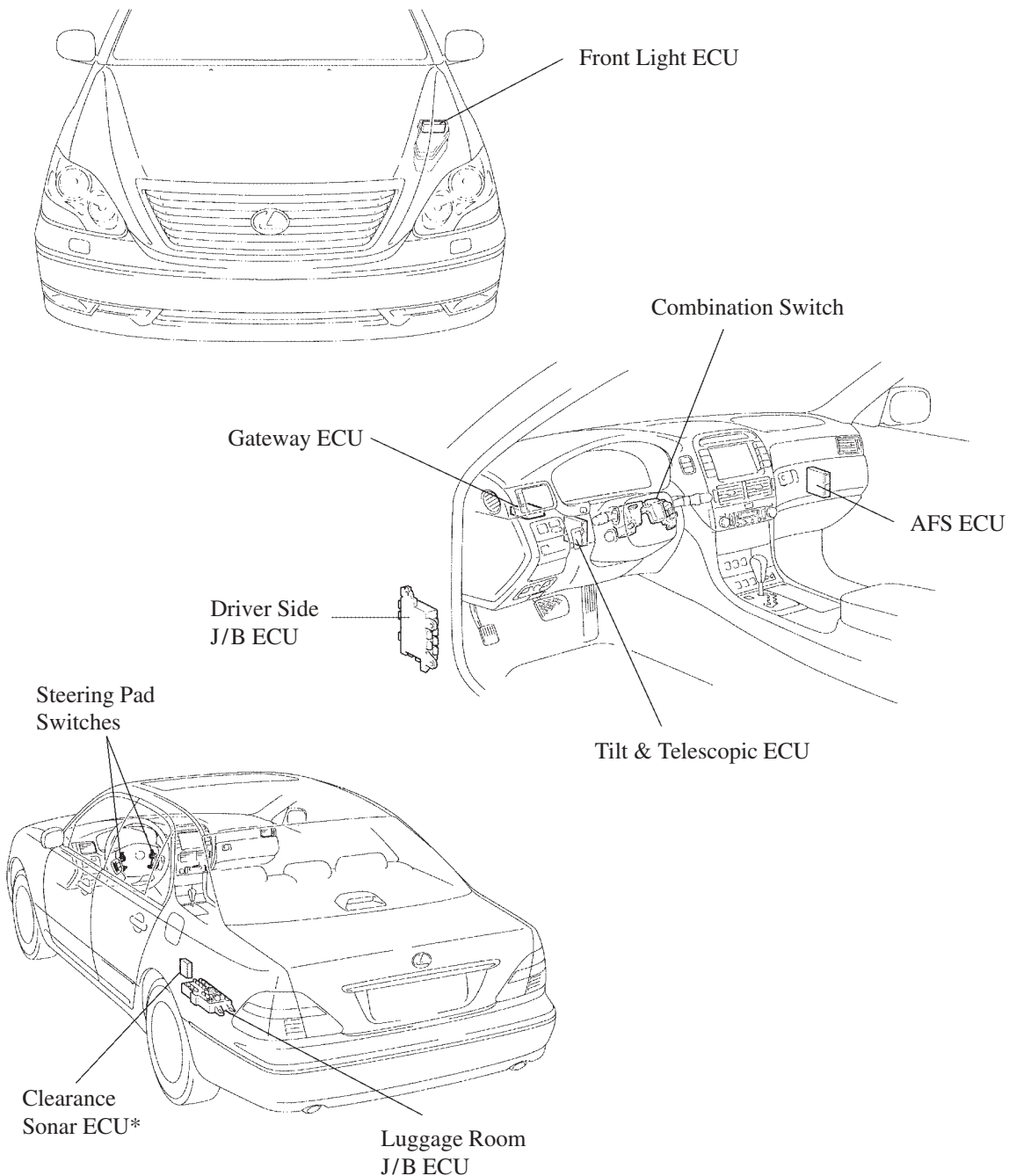


*1: with Raindrop Sensing Function

*2: without Smart Key System

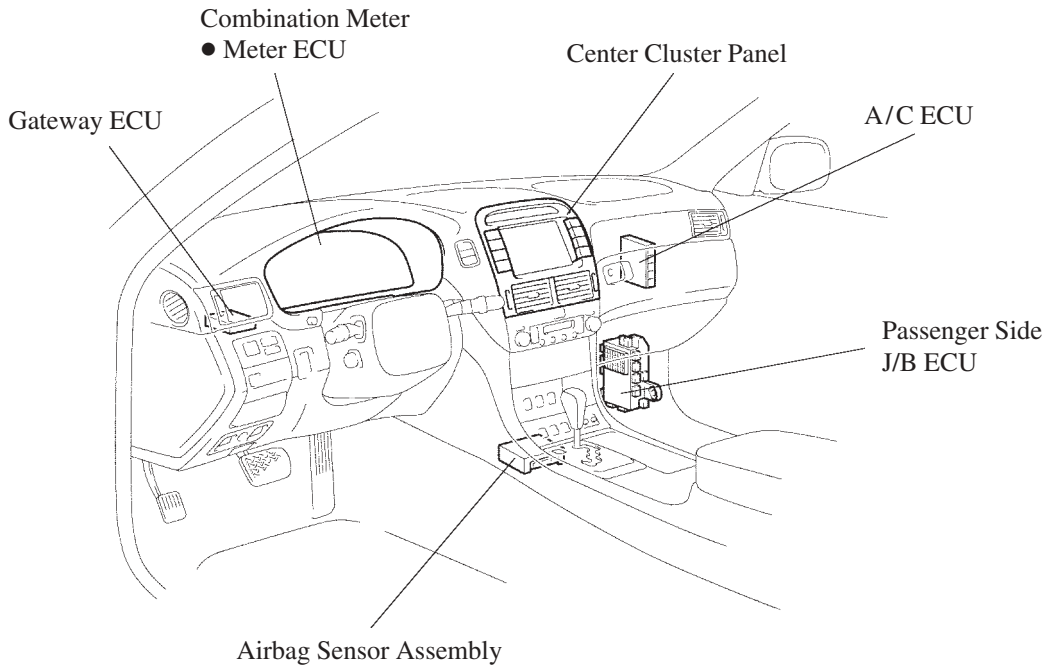
*3: with Smart Key System

► Steering Column Bus ◀



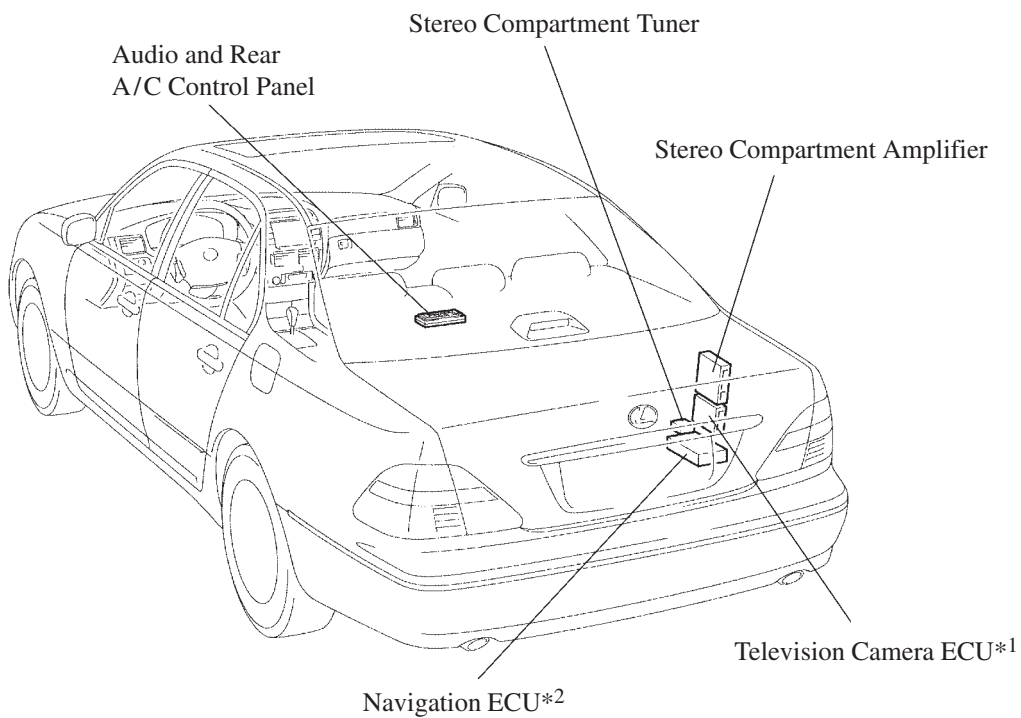
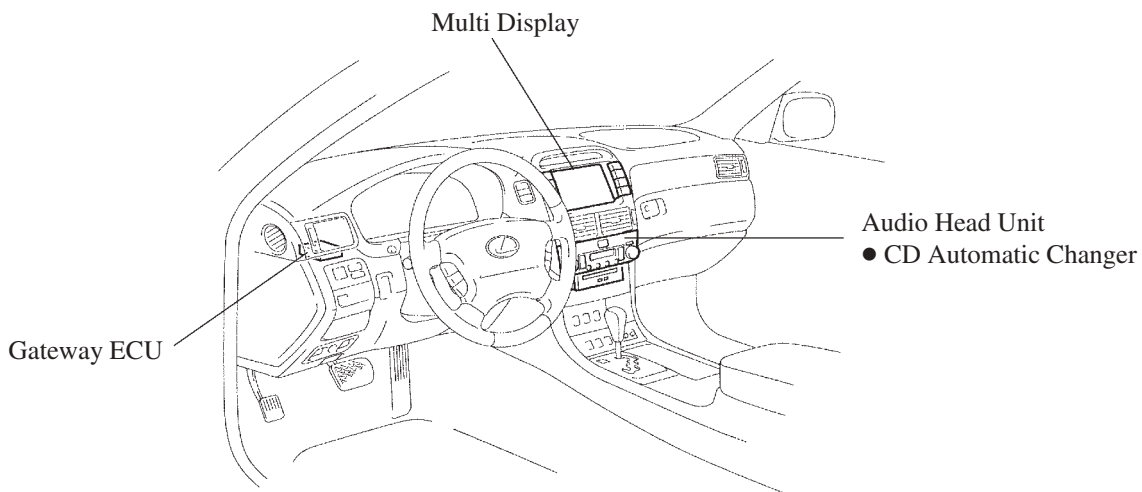
*: with LEXUS Parking Assist System

► Instrument Panel Bus ◀



259LS125

AVC-LAN (Audio Visual Communication – Local Area Network)



*1: with Rear View Monitor Function /Back Guide Monitor Function

*2: with LEXUS Navigation System