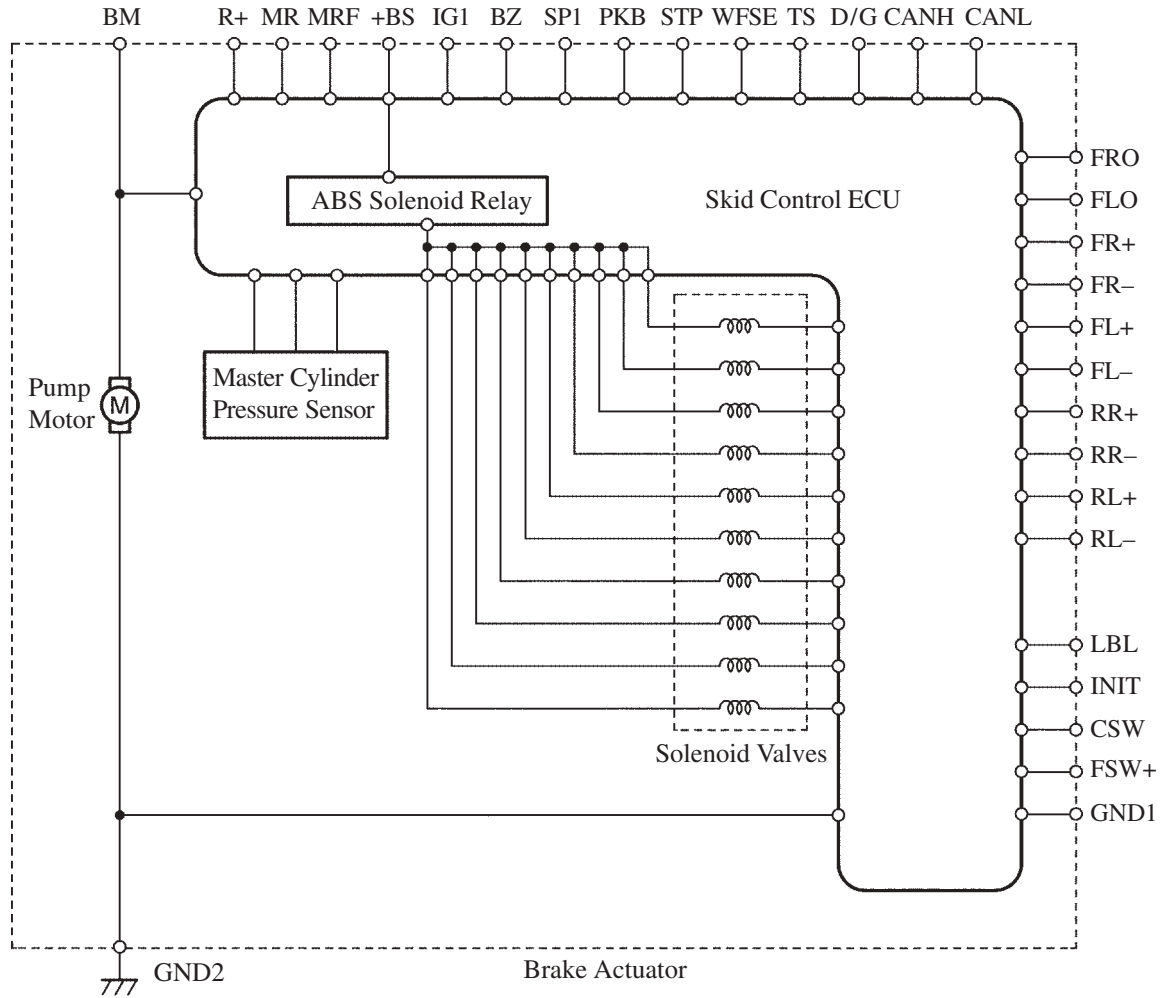


### 3. Brake Actuator

The brake actuator consists of the actuator portion, skid control ECU, ABS solenoid relay, pump motor and master cylinder pressure sensor.

► Electronic Diagram ◀

2



- The actuator portion consists of ten solenoid valves, two pressure regulator valves, two pumps, two reservoirs, and a master cylinder pressure sensor.
- The ten solenoid valves consists of two master cylinder cut solenoid valves [(1), (2)], four pressure holding valves [(3), (4), (5), (6)], and four pressure reduction valves [(7), (8), (9), (10)].

### ► Hydraulic Circuit ◀

