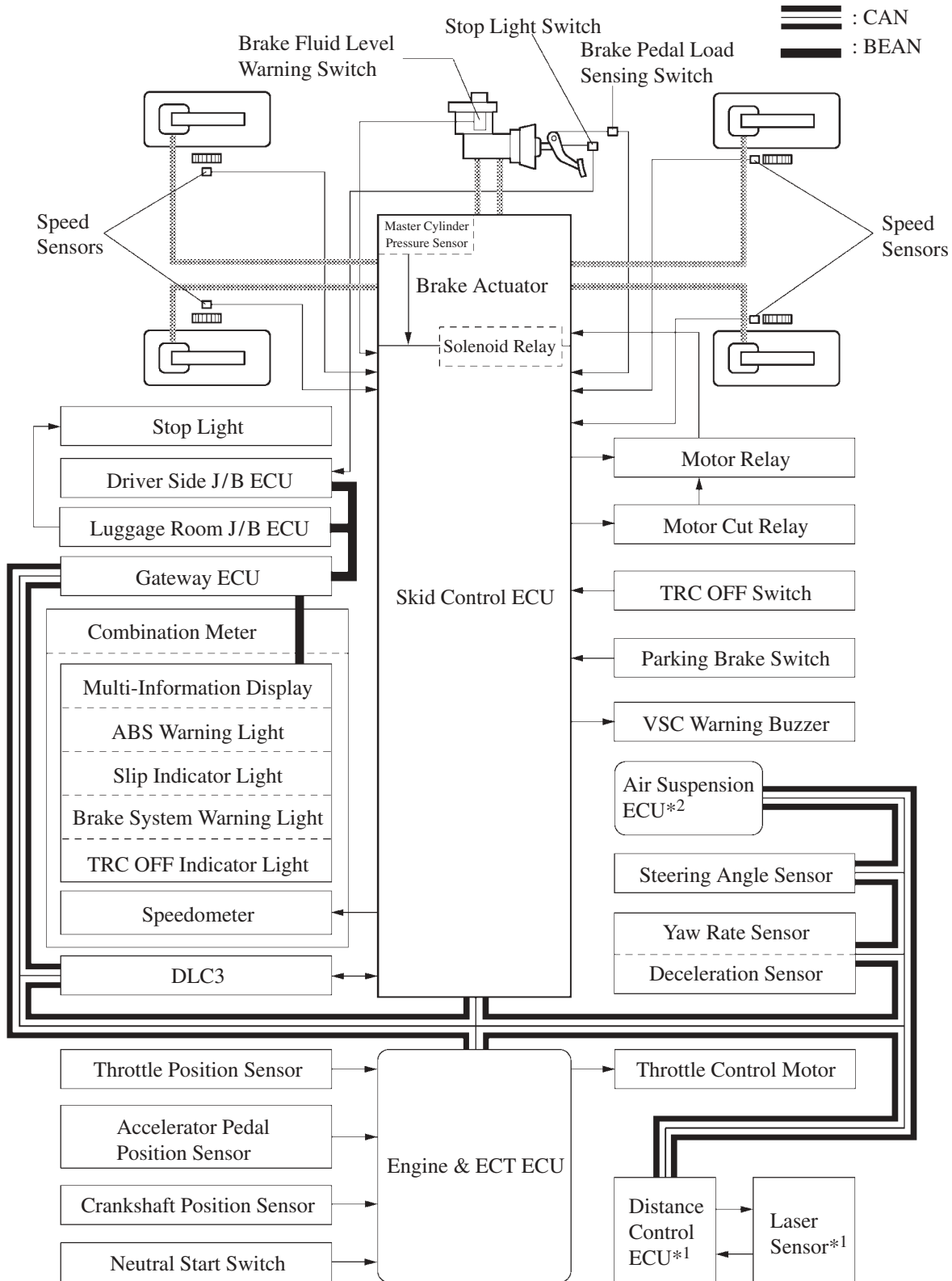


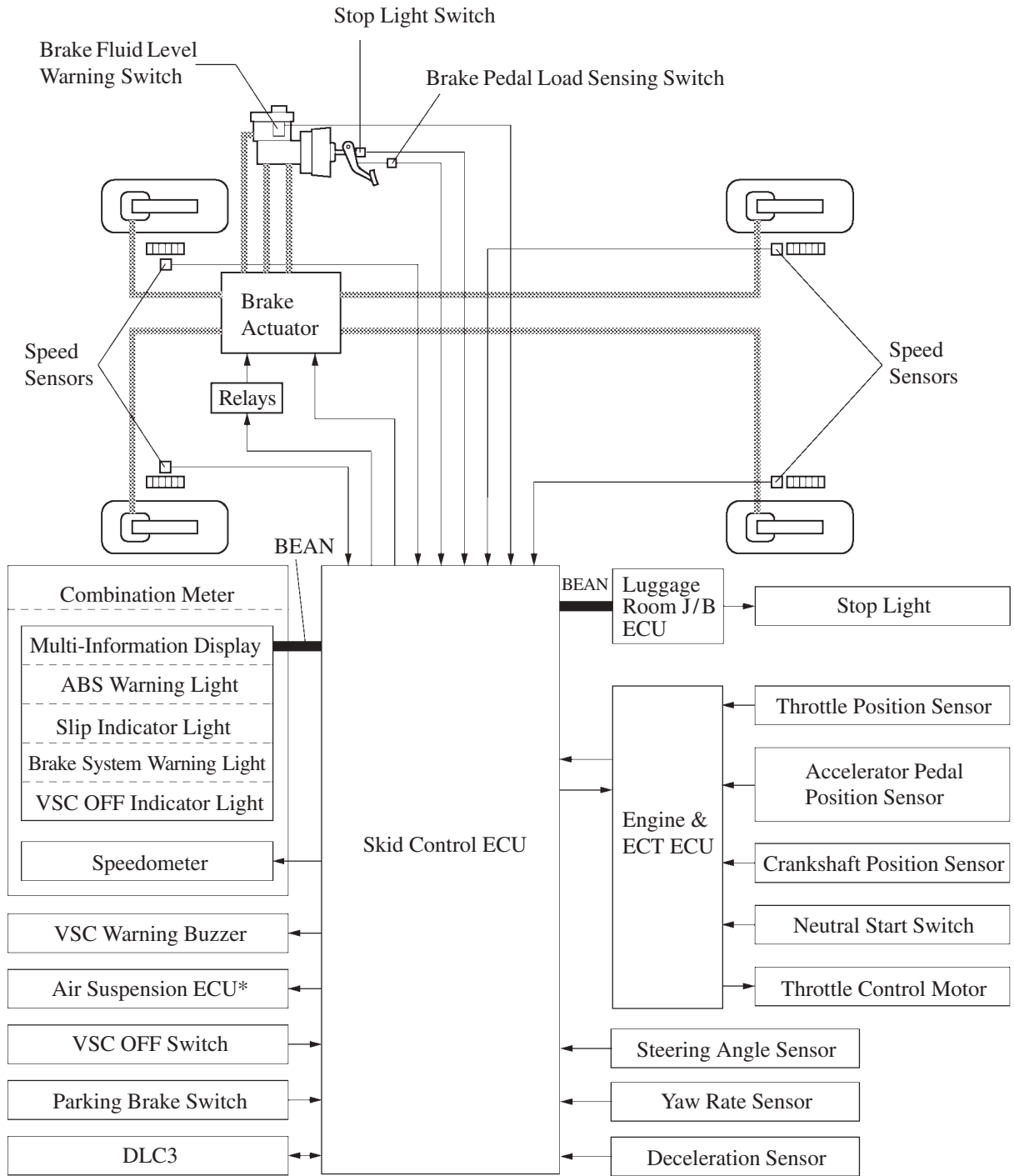
■ BRAKE CONTROL SYSTEM (ABS with EBD, BRAKE ASSIST, TRC and VSC)

1. System Diagram

The following changes have been made to the system diagram, along with the adoption of CAN communication.



*1: with Dynamic Laser Cruise Control
 *2: with Air Suspension



*: with Air Suspension

Previous Model