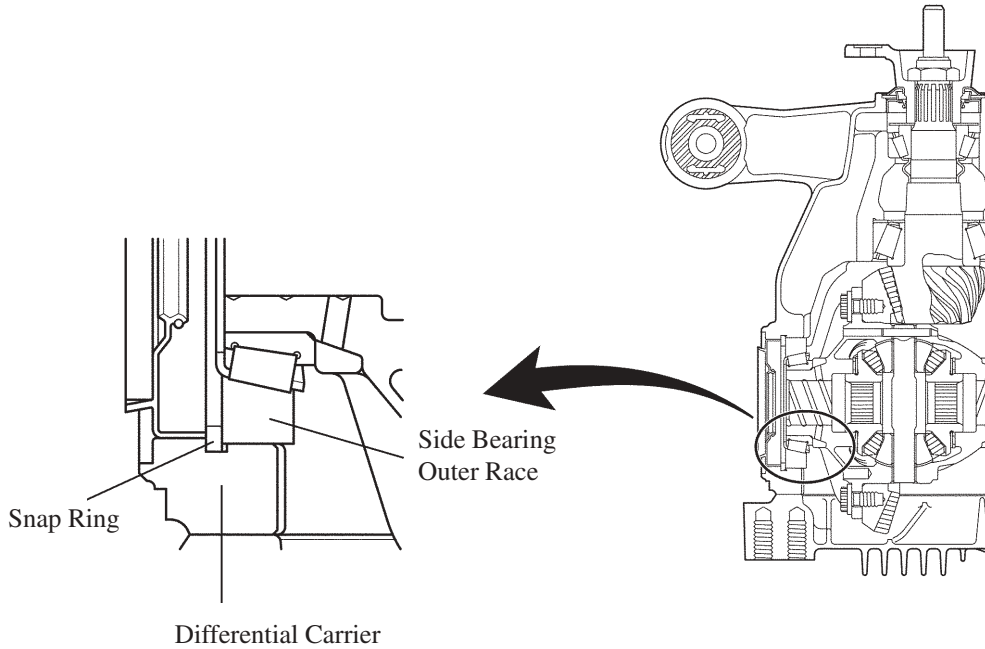


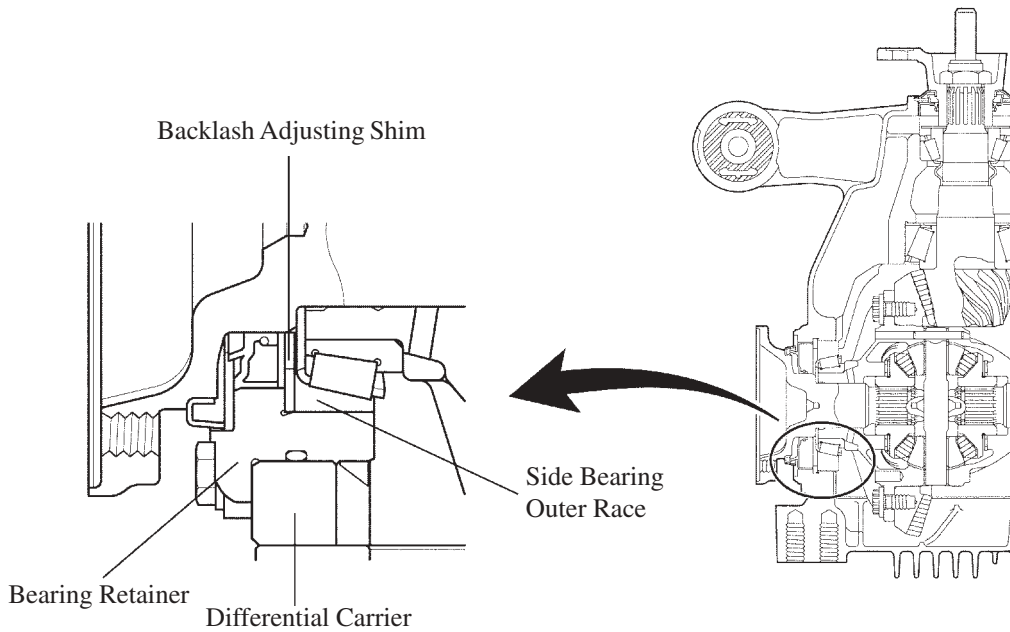
### 3. Side Bearing

The differential carrier retainer and the adjustment plate washer for supporting the side bearing have been discontinued. The side bearing is now mounted directly to the differential carrier and is held in place by a snap ring. As a result, the support rigidity of the bearing has been improved. The adjustment of the ring gear backlash is accomplished by changing the thickness of the snap ring.



**New Model**

259LSK51



**Previous Model**

259LSK52