

---

**MECHANISM**

---



## Suspension

---

This is a highly sophisticated suspension that puts polish on supple driving performance.

---

### Front Suspension

---

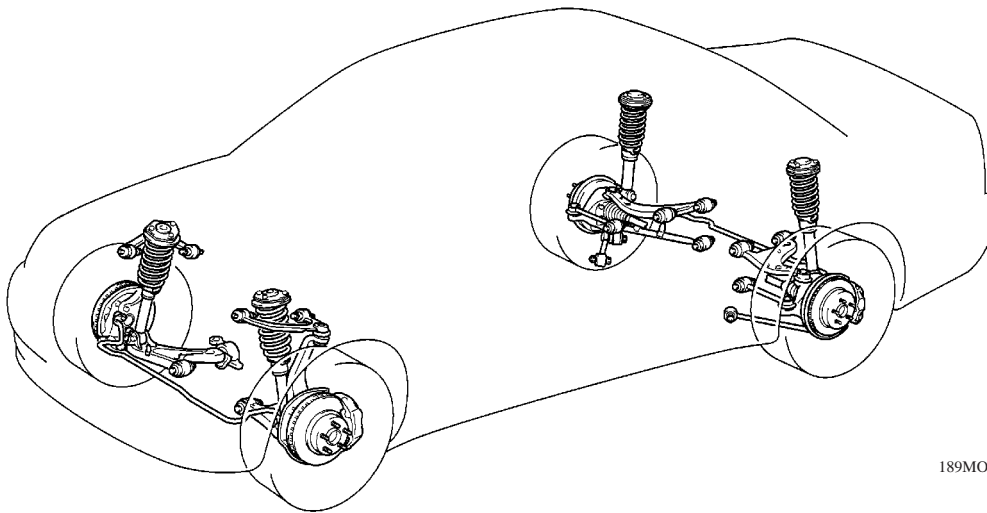
A newly refined high-mount double wishbone suspension has been adopted. Also, by locating the power steering gear assembly in front of the axle, calm, flat running is realized, particularly during high speed driving. The steering angle has also been increased to its maximum, making the minimum turning radius smaller.

---

### Rear Suspension

---

As with the front suspension, a newly refined double wishbone suspension has been adopted. By enlarging the stroke, ensuring torsional rigidity and ensuring camber rigidity, flat riding comfort and superior vehicle stability are realized wherever you drive.



189MO38

---

### Air Suspension (Option for Europe)

---

Combining the features of air springs for extreme suppleness with new shock absorber control functions, the air suspension ensures riding comfort and quietness never experienced before.