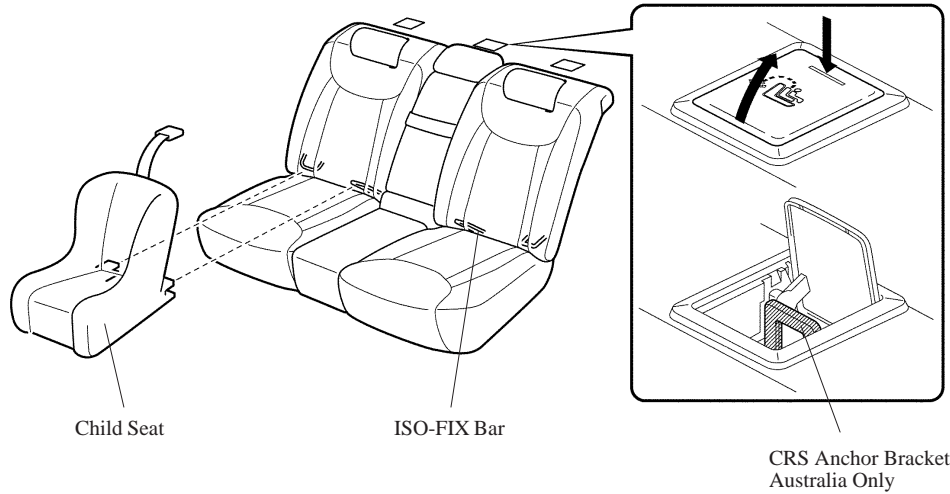


EQUIPMENT

CRS (Child Restraint System) Anchor System

ISO-FIX bar have been provided between the rear seat's seatback and seat cushion.

CRS anchor brackets, with covers, have been installed on the package tray. When not used, the CRS anchor brackets are covered so the package tray has no protrusions. (Australia only)

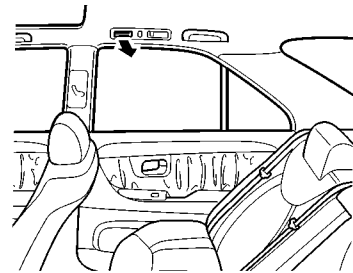
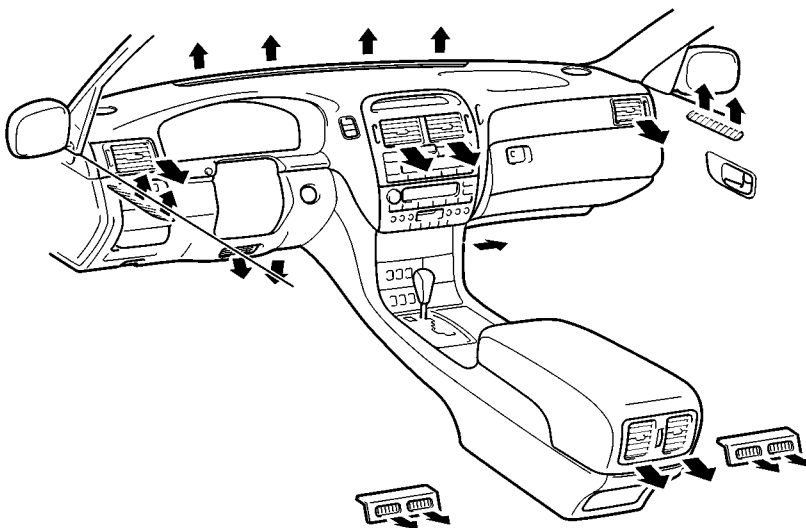


189MO19



Air Conditioner

In order to assure a comfortable interior space, a number of new technologies have been incorporated in the air conditioning system together with detailed control which matches human senses.



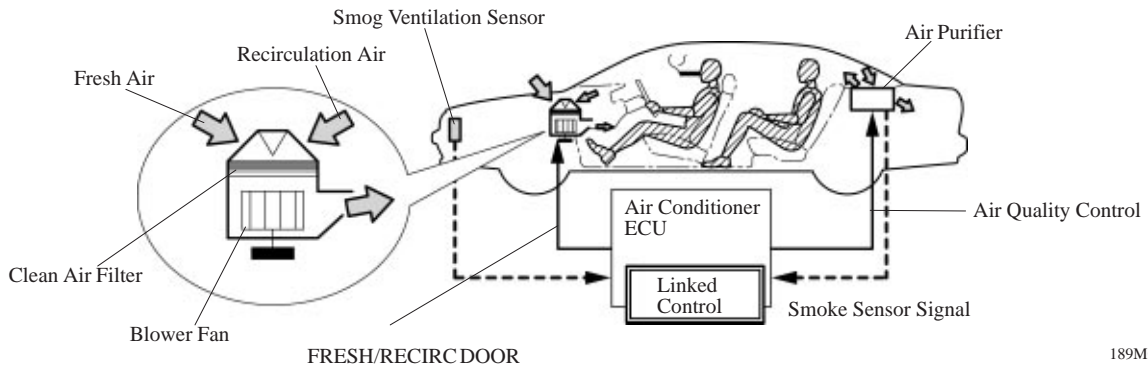
189MO20

Automatic Recirculation System with NO_x Sensing Function

This system automatically switches between the air conditioner's Recirc/Fresh settings in accordance with the concentrations of harmful substances, including exhaust gas. The improvement of a smog ventilation sensor allows for the detection of NO_x*, including HC or CO. (*:except for G.C.C. countries)

Air Quality Control System (with Rear Air Conditioner or Air Purifier)*

In addition to the automatic recirculation system and clean air filter, an air purifier is linked with the automatic recirculation system to enhance the air purification cleaning effect. This assures that the interior air will be clean. (*:except for G.C.C. countries)



Clean Air Filter

For Front Air Conditioner

A newly developed clean air filter is used which, in addition to removing pollen and dust, also vastly increases the deodorizing effect over that of the previous filter. This helps to keep the interior air cleaner.

For Rear Air Conditioner and Air Purifier

This filter, which contains highly charged electret fibers and activated charcoal, provides an air purification function in addition removing dust.

Multi-mode

A multi-mode has been added which blows air from all the vents during warm-up immediately after the engine has been started in winter. This is to prevent the windows from fogging up and to improve warming of the upper body.

Air Purifier System*

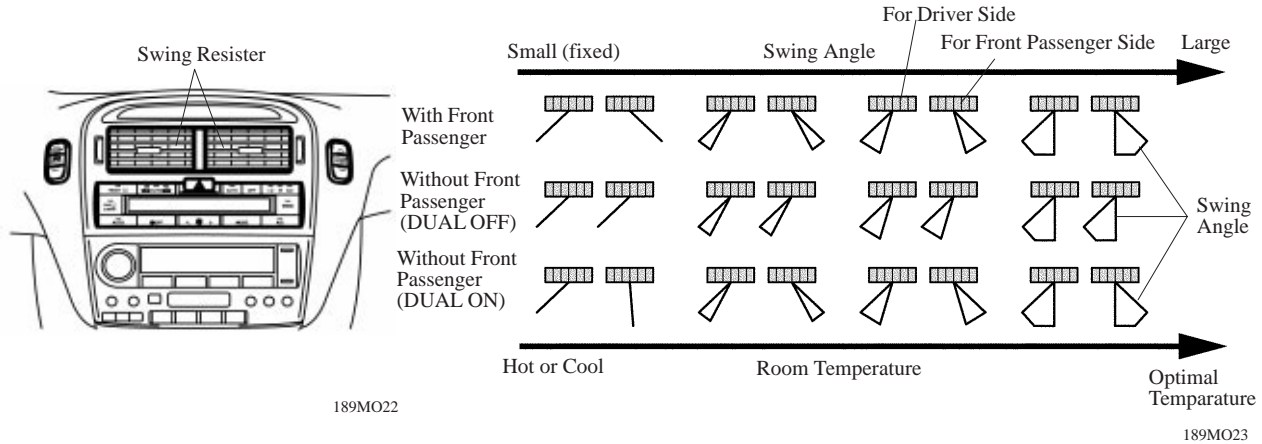
The air purifier system is available as an option only in models without a rear air conditioner system. (*:except for G.C.C. countries)

EQUIPMENT

Front Air Conditioner

Intelligent Swing Resister

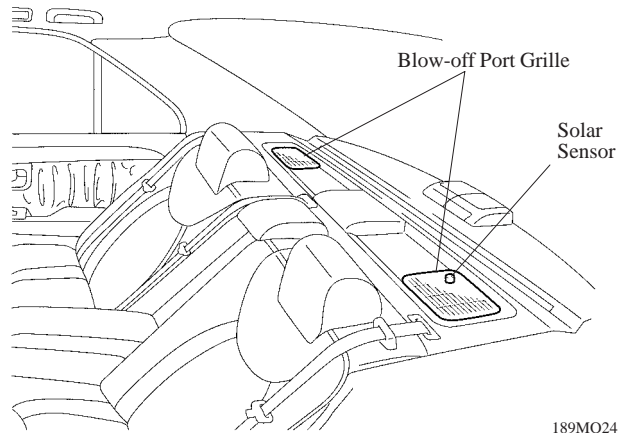
Unlike the previous swing register, which had a constant speed swing mechanism, the automatic air conditioner's controller varies the front center resister's swing angle. Initially, the air conditioner blows air into the driver and the front passenger, then as the cabin becomes cooler, the air conditioner is controlled so that the swing angle gradually becomes larger and maintains the temperature at a comfortable level.



Rear Air Conditioner (Option)

Solar Sensor for Rear Air conditioner

In order to improve the feeling of coolness for the passengers in the rear seat, a solar sensor is set inside the blow-off port grille of the rear air conditioner on the package tray.



Cool Box

A cool box is located in the back portion of the rear center armrest. Using the cool air from the rear air conditioner, it is possible to cool five 350-ml cans. A cool air cut-off function is also included which, if turned off, enables the cool box to be used for storage of small articles.

