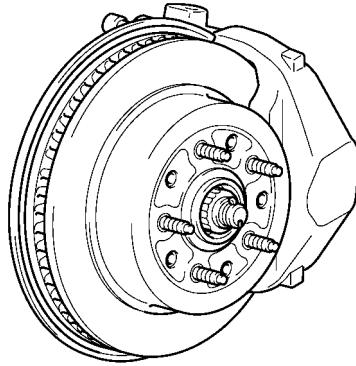


■ REAR BRAKE

1. General

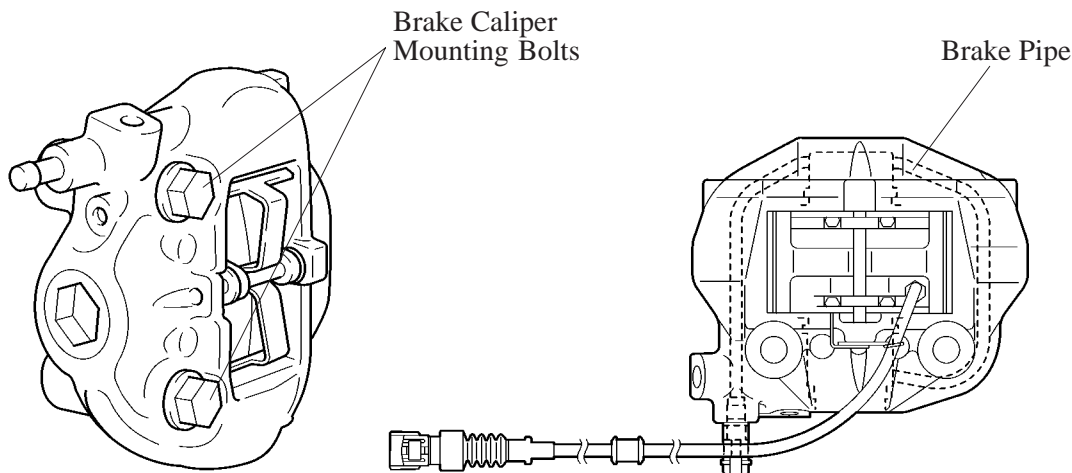
- As in the previous LS400, the ventilated disc brake is used on the new LS430.
- The rear brakes use 2-piston type brake calipers made of mono-block aluminum to achieve a lightweight configuration.
- The outer diameter of the disc rotor has been enlarged and the number of fins at the vent holes has been increased to improve the cooling performance of the brakes.



189CH62

2. Brake Caliper

- The rear brakes use 2-piston type brake calipers made of mono-block aluminum to achieve a lightweight configuration. Furthermore, by providing a brake pipe made of aluminum into the brake caliper, its high level of reliability has been ensured.
- The brake caliper mounting direction has been changed to improve the anti-squeal performance of the brakes.



189CH63

Service Tip

A μ stabilizing agent has been applied to the threaded portion of the brake caliper mounting bolts. Therefore, do not reuse the bolts when removing and reinstalling the brake caliper.