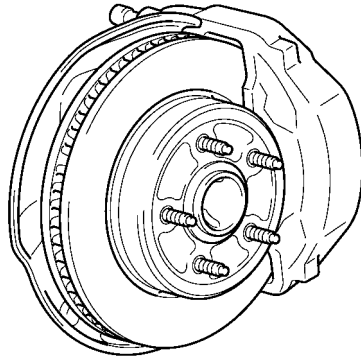


■ FRONT BRAKE

1. General

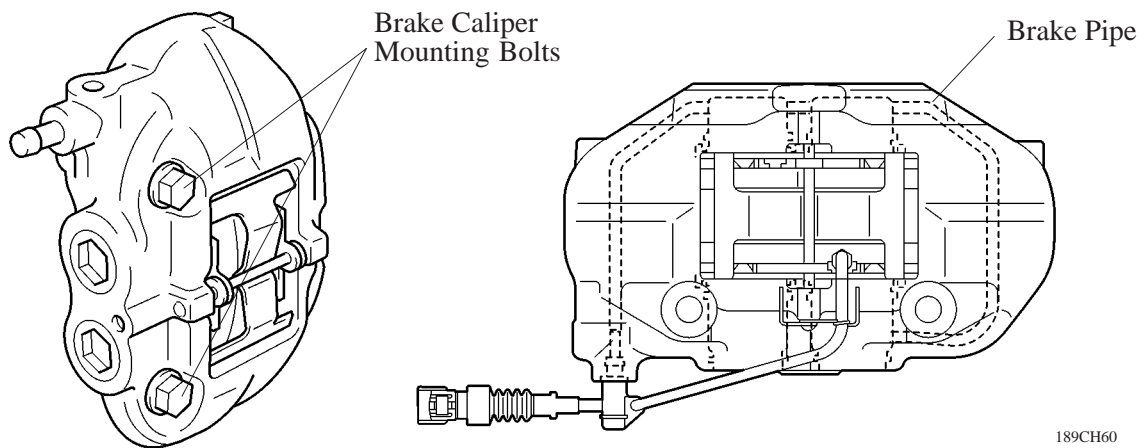
- As in the previous LS400, the ventilated disc brake is used.
- The front brakes use 4-piston type brake calipers made of mono-block aluminum to achieve a lightweight configuration.
- Cooling holes have been provided in the dust covers to improve the cooling performance of the front brakes.



189CH59

2. Brake Caliper

- The front brakes use 4-piston type brake calipers made of mono-block aluminum to achieve a lightweight configuration. Furthermore, by providing a brake pipe made of aluminum in the brake caliper, its high level of reliability has been ensured.
- The brake caliper mounting direction has been changed to improve the anti-squeal performance of the brakes.



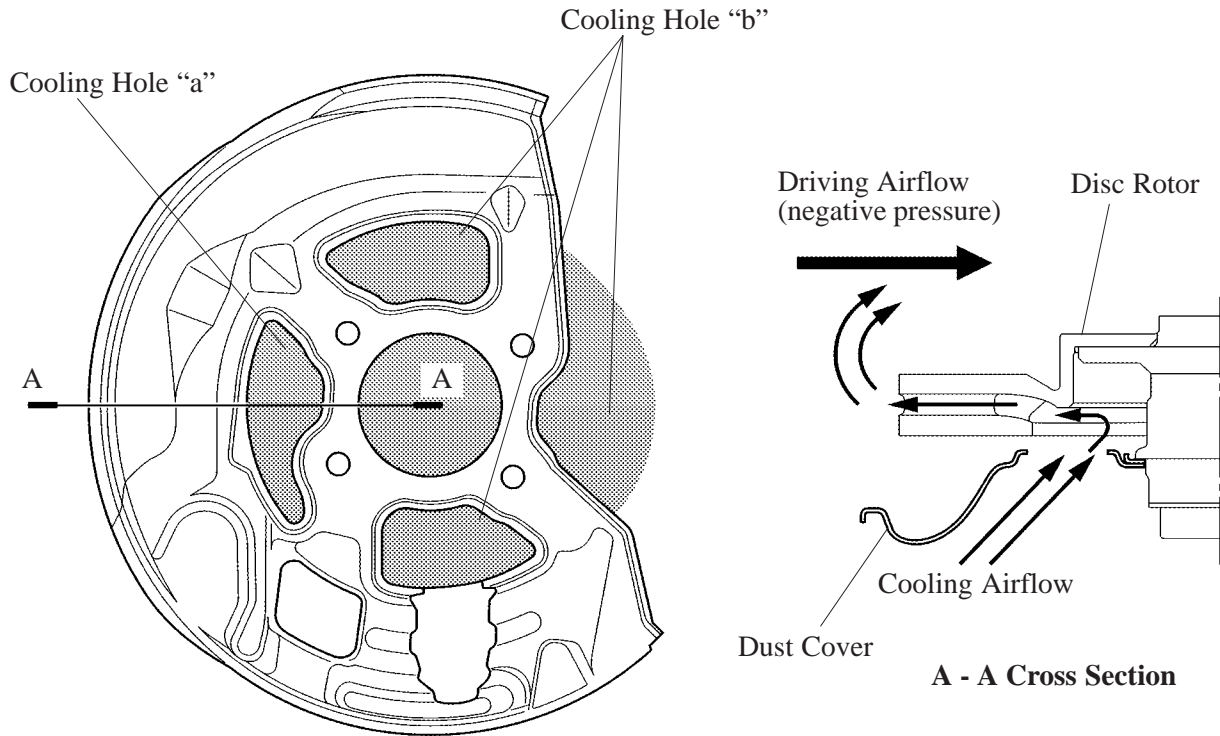
189CH60

Service Tip

A μ stabilizing agent has been applied to the threaded portion of the brake caliper mounting bolts. Therefore, do not reuse the bolts when removing and reinstalling the brake caliper.

3. Disc Rotor and Dust Cover

- The widths of the vent holes in the disc rotor have been widened to allow a greater volume of air to flow through in order to improve the cooling performance of the brakes.
- Cooling holes have been provided in the dust cover to introduce airflow directly into the vent holes in the disc rotor in order to improve the cooling performance of the brakes.



Cooling Hole “a”: Introduces airflow

Cooling Hole “b”: Discharges the air from the disc rotor while cooling hole “a” introduces airflow in order to reduce the intake resistance.