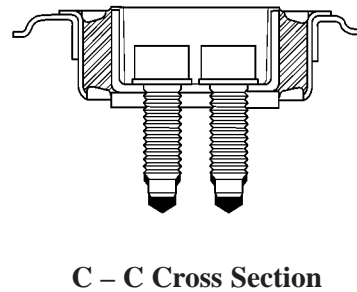
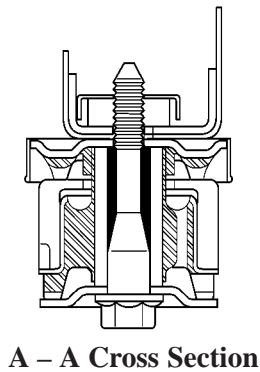
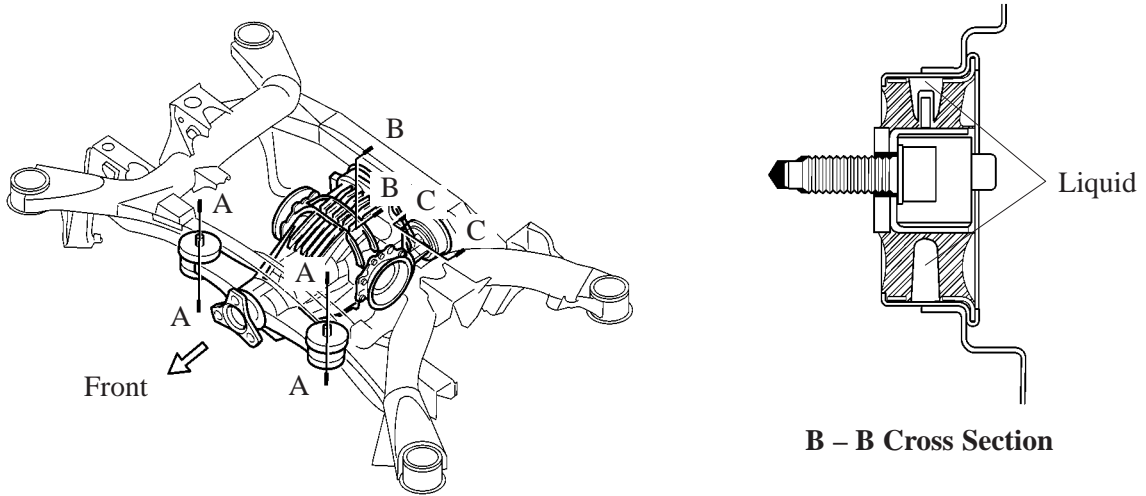


■ DIFFERENTIAL SUPPORT

- The differential is supported at 4 points : 2 front and 2 rear.
- The rear right mount is the liquid-filled compound mounts that held realize low vibration and noise.



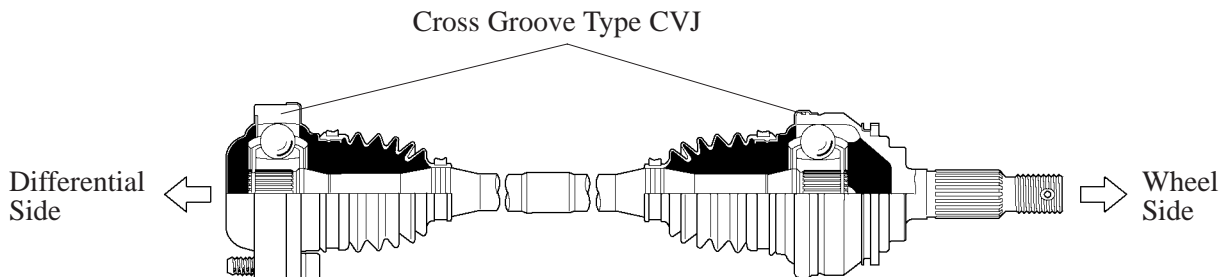
89CH22

CH

DRIVE SHAFT

■ DESCRIPTION

As in the previous model, the drive shaft uses the cross groove type CVJ (Constant Velocity Joint).



189CH23