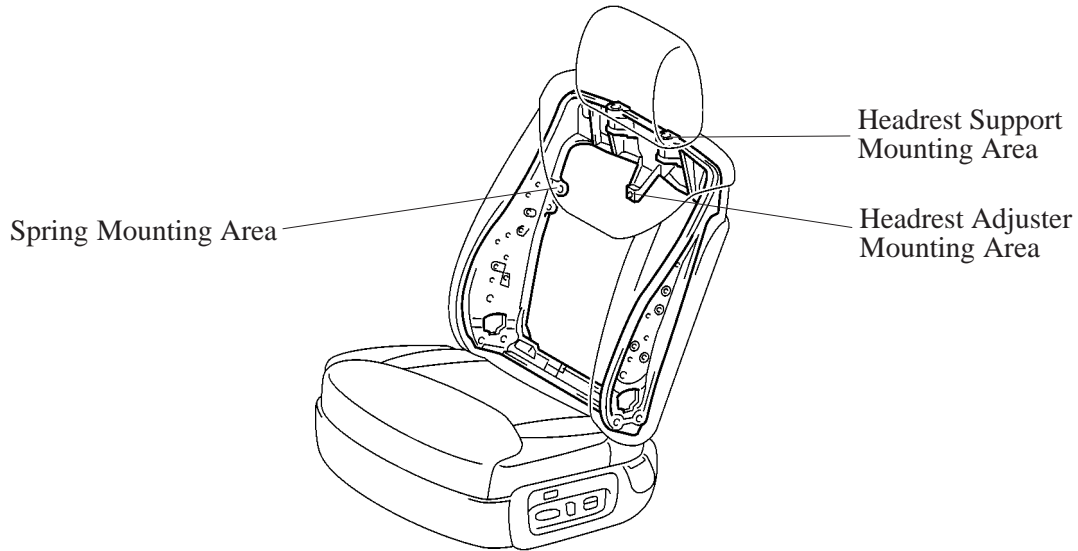


■ SEAT

1. Front Seat

Magnesium has been adopted as the material for the front seatback frame. The areas where the spring, headrest adjuster, and headrest support are mounted have been composite-formed for reducing weight and the number of parts.



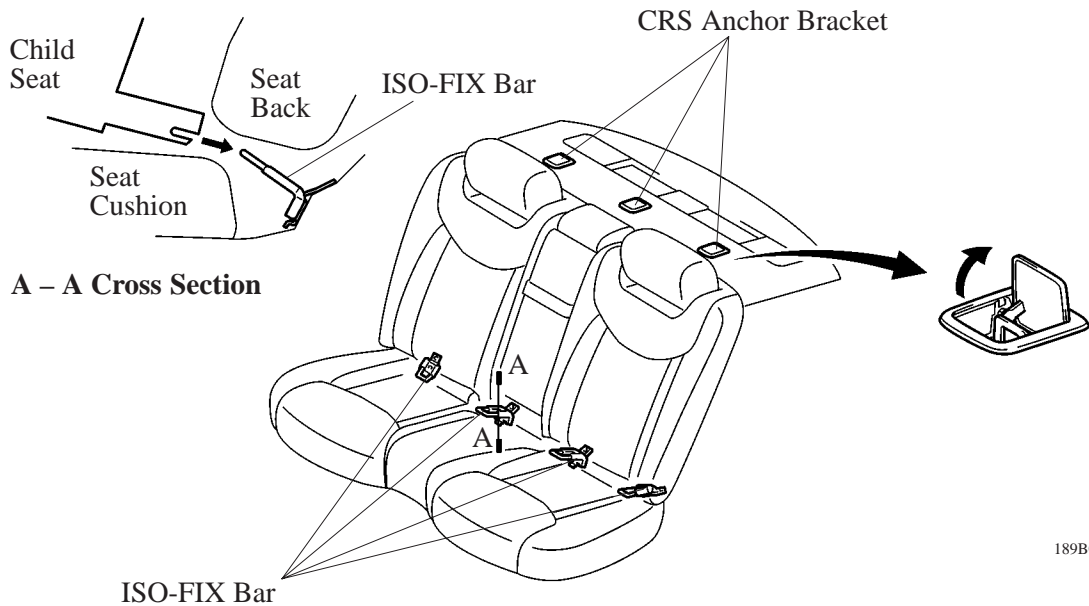
Front Seat Back Frame

189BO17

2. Rear Seat

BO

- ISO-FIX bar for securing child seats (CRS: Child Restraint System), which complies with ISO-FIX, has been provided behind the seat cushion of both outer rear seats.
- On Australia models, three CRS anchor brackets for securing a child seat have been provided above the package tray trim.



189BO18