

■ RUST-RESISTANT BODY

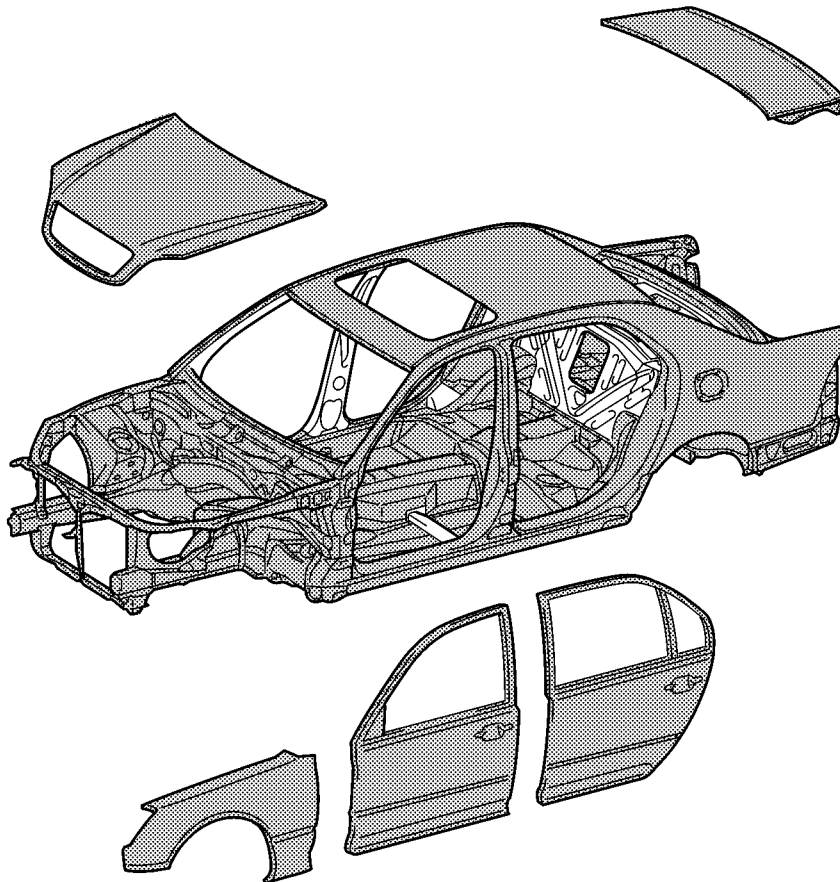
1. General

Rust-resistant performance is enhanced by extensive use of anti-corrosion sheet steel and an anti-corrosion treatment by applying wax, sealer and anti-chipping paint to easily corroded parts such as the hood, doors and rocker panels.

2. Anti-Corrosion Sheet Steel

Anti-corrosion sheet steel is used in all areas other than the roof and interior parts.

 : Anti-Corrosion Sheet Steel



189B008

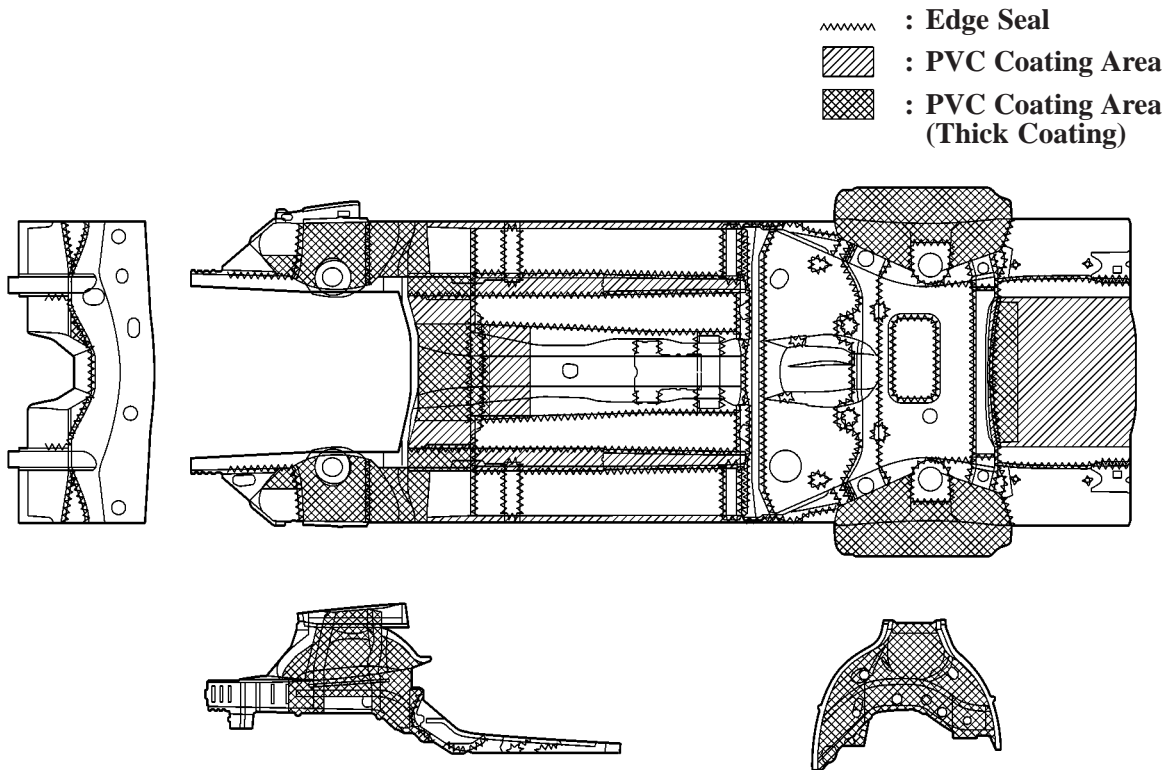
3. Wax and Sealer

Wax and sealer are applied to the hemmed portions of the hood, door panels, rocker panel and luggage compartment door to improve rust-resistant performance.

4. Under Coat

PVC (Polyvinyl Chloride) coating is applied to the under side of the body.

The bottom side of the cowl panel, the fender apron and other parts which are subject to damage by stone chipping.



BO