

■ SAFETY FEATURES

1. Impact Absorbing Structure

General

The impact absorbing structure of the new LS430 provides a body construction that can effectively help absorb the energy of impact in the event of a front, or side collision. Also, it realizes a high level of occupant protection performance through the use of reinforcements and members that help to minimize cabin deformation.

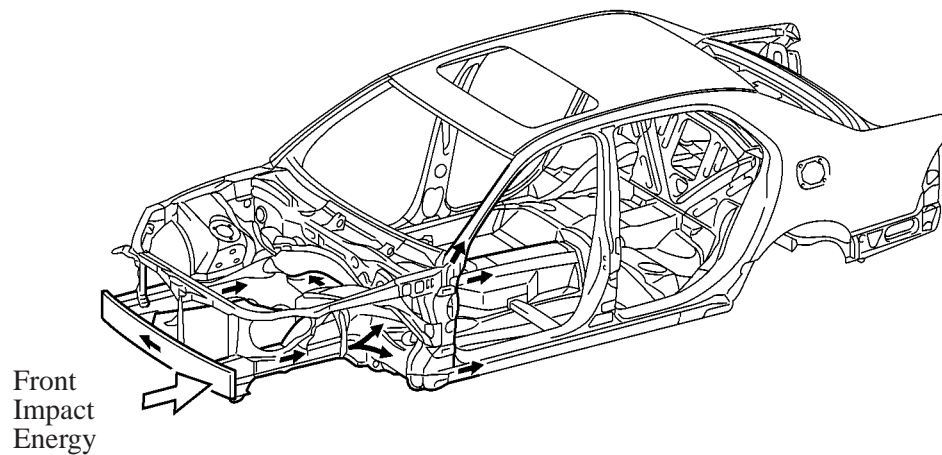
Construction

1) Impact Absorbing Structure for Front Collision

In conjunction with the high level of impact absorbing structure for a front collision, the front bumper reinforcement, the side members, the reinforcements and members that surround the cabin have been optimally allocated.

Accordingly, the frameworks of the underbody and cabin help to absorb and dissipate the impact energy efficiently, and to realize the minimized cabin deformation, in case of a front collision.

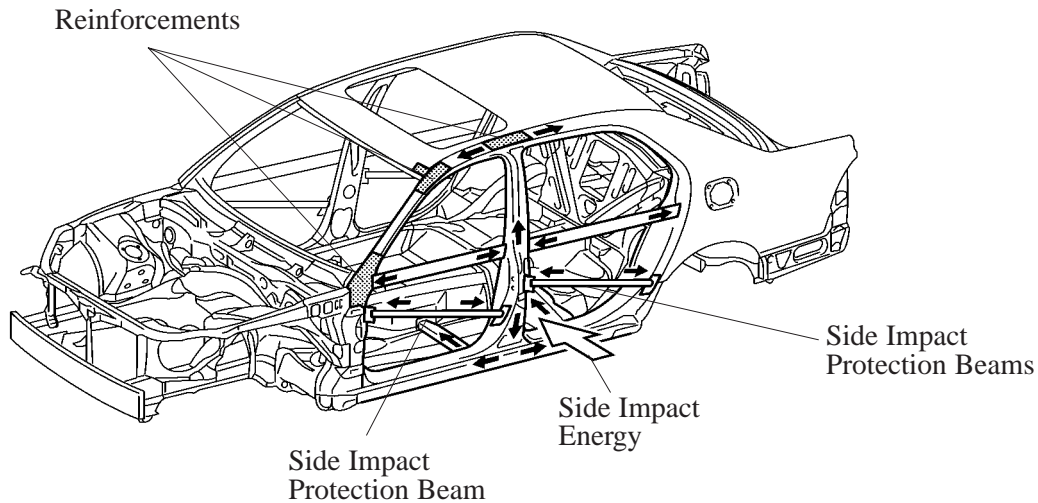
► Impact Absorbing Structure for Front Collision ◀



2) Impact Absorbing Structure for Side Collision

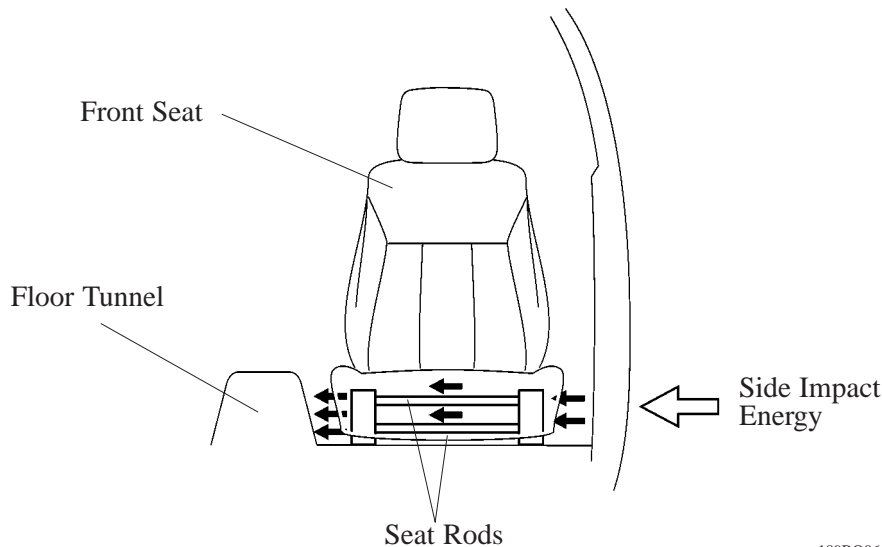
- Impact energy of a side collision directed to the cabin area is dispersed throughout the body via pillar reinforcements, side impact protection beams, floor cross members, thus helping minimize the impact energy finally directed to the cabin. In addition, the body is made of reinforced joints and high strength sheet steel, in order to help maintain the maximum preservation of the cabin space. And, in order to make the door energy absorbent, a closed cross section configuration is provided at the belt line area of the front and rear doors.

► Impact Absorbing Structure for Side Collision ◀



189B005

- The construction of the seat rods in the front seats has been optimized so that the side impact energy can be efficiently transmitted to the floor tunnel in order to ensure as much space as possible.

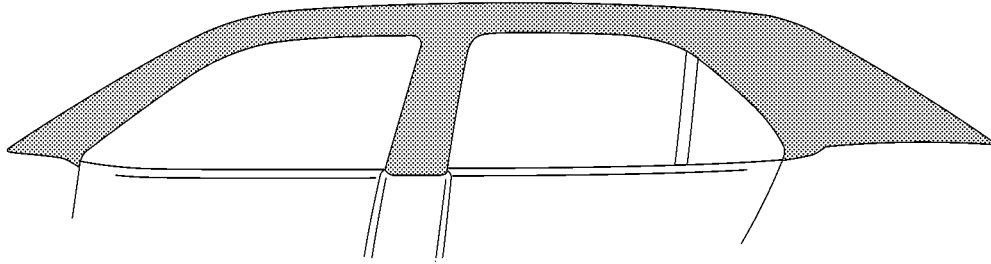


189B006

- A Head Impact Protection Structure has been adopted. With this type of construction, if the occupant's head hits against the roof side rail and pillar in reaction to a collision, the inner panel of the roof side rail and pillar collapses to help reduce the impact.

► Head Impact Protection Structure ◀

 : Energy Absorbing Rib



189BO07