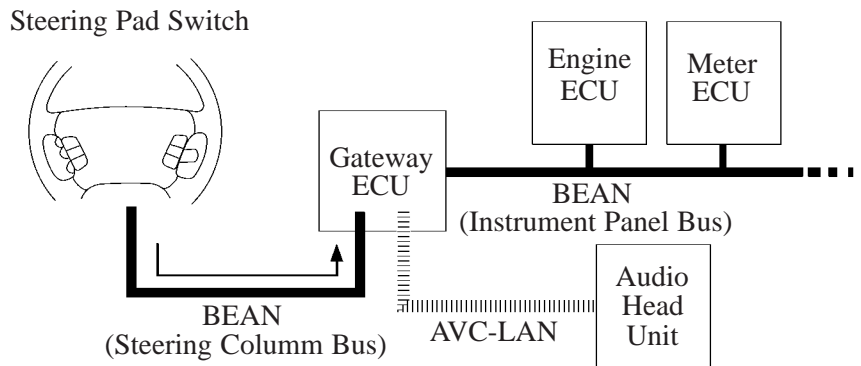


■ **STEERING PAD SWITCH**

The switches with a high use frequency have been located on the steering pad in the form of steering pad switches to improve the ease of use. These switches contain an ECU that transmits the audio system signal, and multi-information display system signal to the ECUs (Gateway ECU, Engine ECU, and Meter ECU) via the BEAN (Body Electronics Area Network).

► **System Diagram** ◀



189BE194