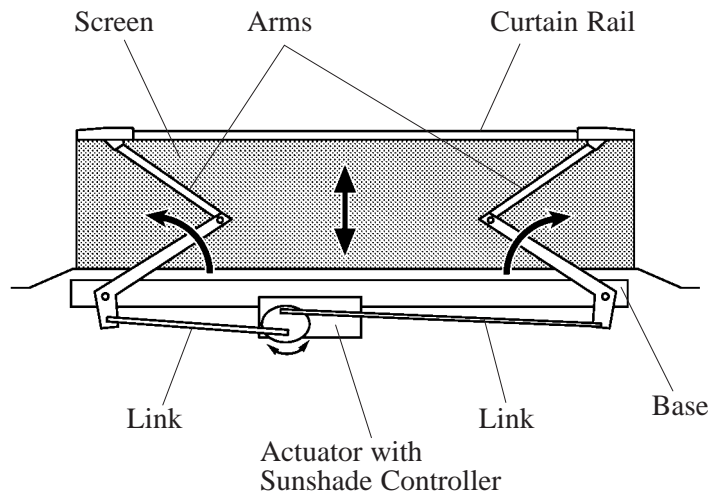


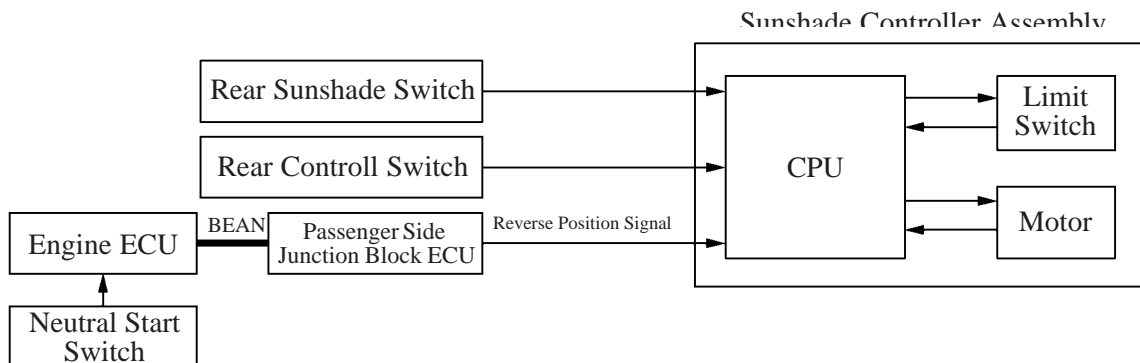
■ REAR SUNSHADE

- An electrical type rear sunshade, which blocks the direct sunlight entering through the rear window in order to ensure the comfort of the rear seat passengers, is provided on all models as standard equipment. This sunshade can easily be deployed or retracted by operating the rear sunshade switch located on the center console or the rear control switch on the control panel, which is provided on the armrest of the rear seat. To prevent the rear view from being blocked by the deployed sunshade, this switch is provided with a reverse-linked auto-down function, which automatically lowers the screen when the shift lever is engaged in reverse.
- The sunshade controller controls the reverse-linked auto-down function in accordance with the reverse position signal that is generated by the Neutral start switch, which is received via the ECUs that transmit through the BEAN (Body Electronics Area Network).



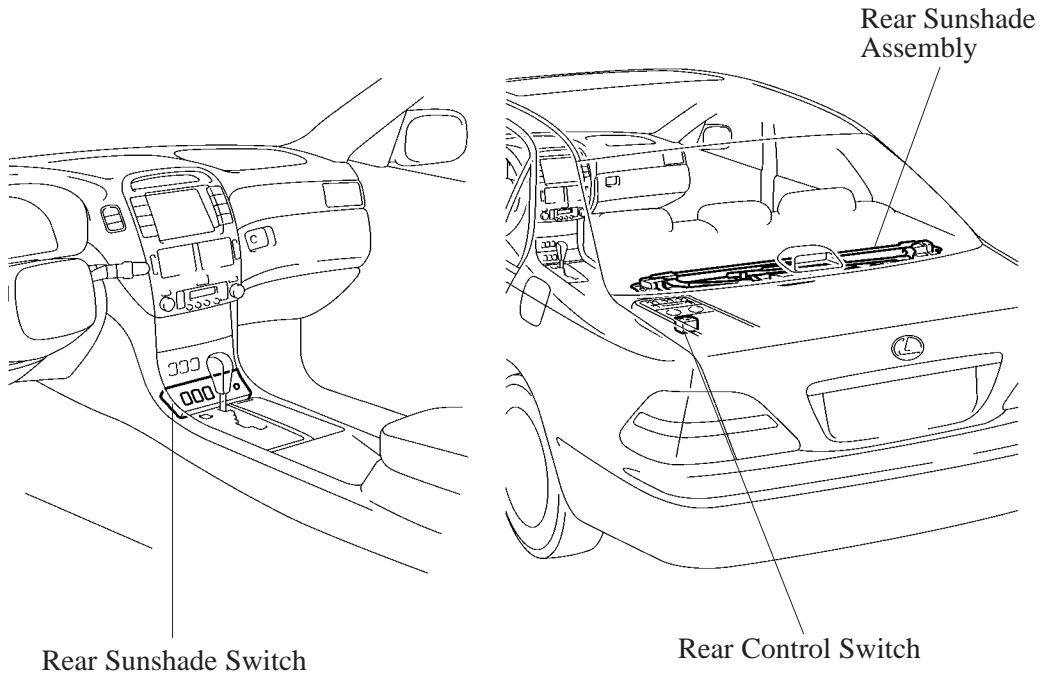
177BE31

► System Diagram ◀



189BE53

► Layout of Main Components ◀



189BE54