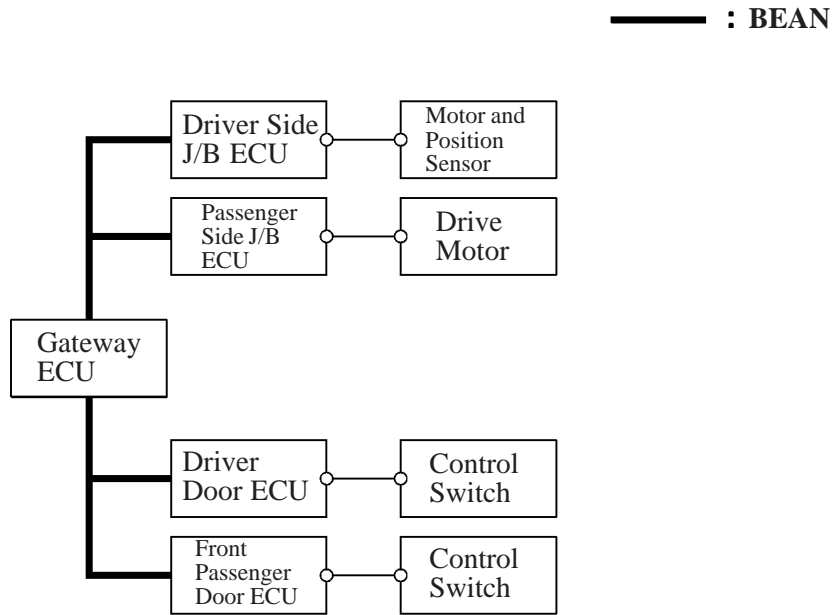


■ **ADJUSTABLE SHOULDER BELT ANCHOR**

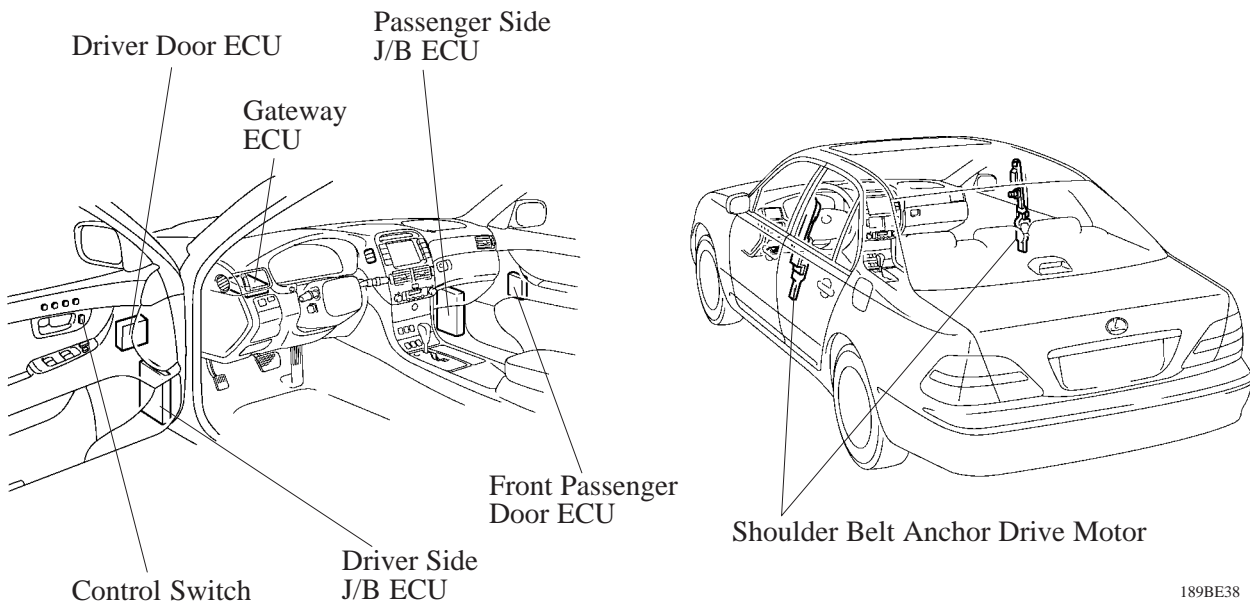
As in the previous LS400, the adjustable shoulder belt anchor has been used on the new LS430. The position of the power adjustable shoulder belt anchor can be adjusted steplessly by operating the control switch which is located on the door trim.

► **System Diagram** ◀



189BE35

► **Layout of Components** ◀



189BE38